

# M3 Halftrack

# Assembly Instructions

General instructions for bending the metal and attaching parts and cleaning the metal and separating the parts what to use in attaching parts riveting etc.

## Parts:

Resin.....	4-7
Metal.....	8-13

Frame Assembly.....	14
Frame Rails.....	15
Floor and Body supports.....	16
Outer block.....	17
Inner block.....	18
Inner & Outer Block Assembly.....	19
Roadwheel Carriage Holder.....	20
Roadwheel Carriage.....	21
Roadwheel Carriage Assembly.....	22
Suspension Rocker.....	23
Suspension Rocker Support Bracket.....	24
Suspension Rocker Final Bend.....	25
Return Roller Bracket.....	26
Suspension Block Assembly .....	27
Suspension Cross Beam and Assembly.....	28
Frame Reinforcing Cross Brace.....	29
Frame Support and tow Hitch Receiver.....	30
Transmission Cross Brace.....	31
Front End Shield.....	32
Front Frame Brace.....	33
Front Bumper and Roller Support.....	34
Front suspension.....	35
Front bumper Arm.....	36
Tow Hook and Bumper Brace Plate.....	37
Front Tow Hooks.....	38
Drive Axle Bracket.....	39
Rear Idler Swivel and Axle Assembly.....	40
Attaching finished Suspension Block to Frame.....	41
Bogie Wheels.....	42-43
Rear suspension Cross Brace.....	44
Rear Idler Spring.....	45
Front Roller Assembly.....	46
Drive gear.....	48
Idler wheel.....	49
Front tires.....	50
Axles.....	51

## Body

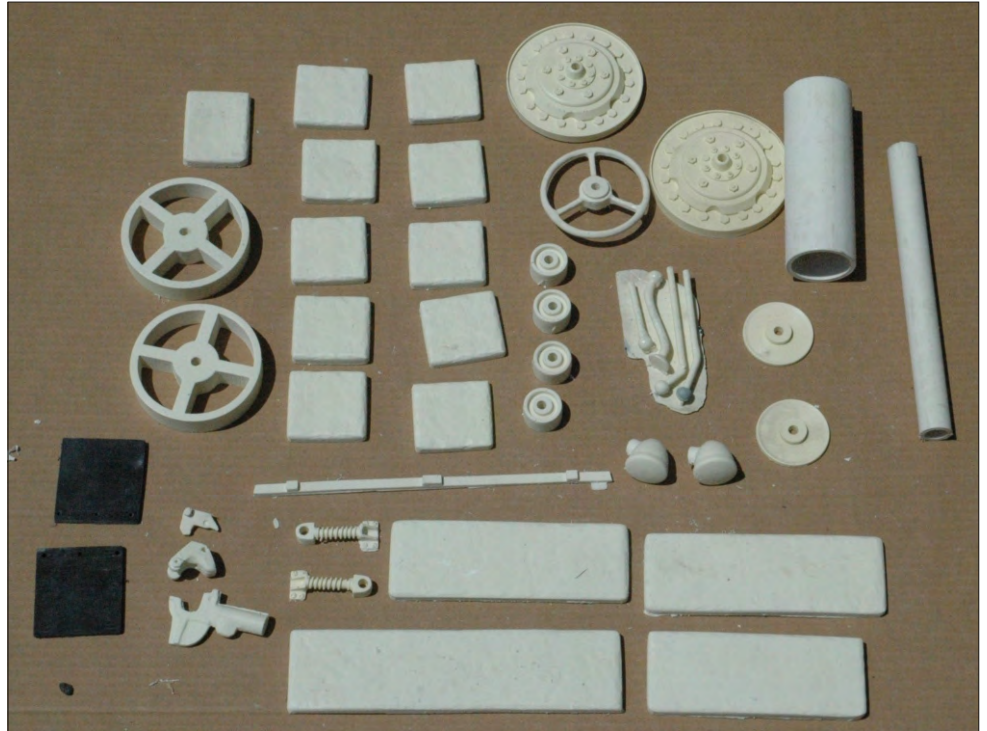
Front Floor Board.....	52
Front Floor Braces.....	53
Inserting Front Floor Braces.....	54-55
Left and Right body panels.....	56-58
Attaching Body Panels to Frame.....	59
Installing Front Floor Board.....	60
Front Crew Compartment Side Plates.....	61
Rear Crew Compartment.....	62-63
Attaching Rear Crew Compartment.....	64
Back Panel and Door.....	65-66
Front Hood.....	67-68
Dashboard.....	69
Hood Panels.....	70
Armored windshield.....	70
Front doors.....	71
Rear Floor Storage Covers.....	72
Fuel Tanks and Rifle Racks.....	73
Spare Gas can Holders.....	74
Mine racks.....	75
Front fenders.....	76
Right side tool box.....	77
Track guide horn Bending tool.....	78
Track and Guide Horn Assembly.....	79
Front Armored grill plates.....	80
Front seats.....	81
Shifter levers.....	82
Bullet Splash.....	83
Rear Seat Cushions.....	84
Tow Hook.....	85
Armored Window Shields.....	86
Rear Bumper.....	87
Mudflap.....	87
Headlight and Bracket.....	88
Steering Wheel.....	89

Check to make sure you have all of the following parts. If you are missing parts or parts are damaged beyond your ability to fix or repair them then contact [www.crittkillen@aol.com](http://www.crittkillen@aol.com) for replacement.

## Parts List:

### Bag A:

- Return roller wheels 4
- Front Unditching roller 1
- Cross brace tube 1
- Front roller end caps 2
- Front roller springs 2
- Headlights 2
- Front tire hub 2
- Front tire inner hub core 2
- Bullet splash 1
- Gear shift lever A 1
- Gear shift lever B 1
- Gear shift lever C 1
- Gear shift lever D 1
- Steering wheel 1
- Tow hitch body 1
- Tow hitch hook 1
- Tow hitch latch 1



- Rear mudflaps flexible 2

- Crew compartment seat square 10
- Crew compartment seat rectangle 1
- Crew compartment seat back long 1
- Crew compartment seat back short 1
- Crew compartment seat back medium 2



Bullet Splash RM3-145



Front Tire Hub RM3-146



Front Tire Inner Hub Core RM3-147



Cross Brace Tube RM3-148



Return Rollers RM3-149



Front Unditching Roller RM3-150



Front Roller Endcaps x 2 RM3-151



Front Roller Springs RM3-152



Headlights RM3-153



Steering Wheel RM3-154

RM3-155



Tow hitch Latch



Crew Compartment Seat Square RM3-158



Crew Rectangle Seat x10 RM3-159



Rear Mudflaps x 2 RM3-160



Gear Shifters

- A-RM3-161
- B-RM3-162
- C-RM3-163
- D-RM3-164



Tow hitch Hook RM3-156



Crew Compartment seat back long RM3-165



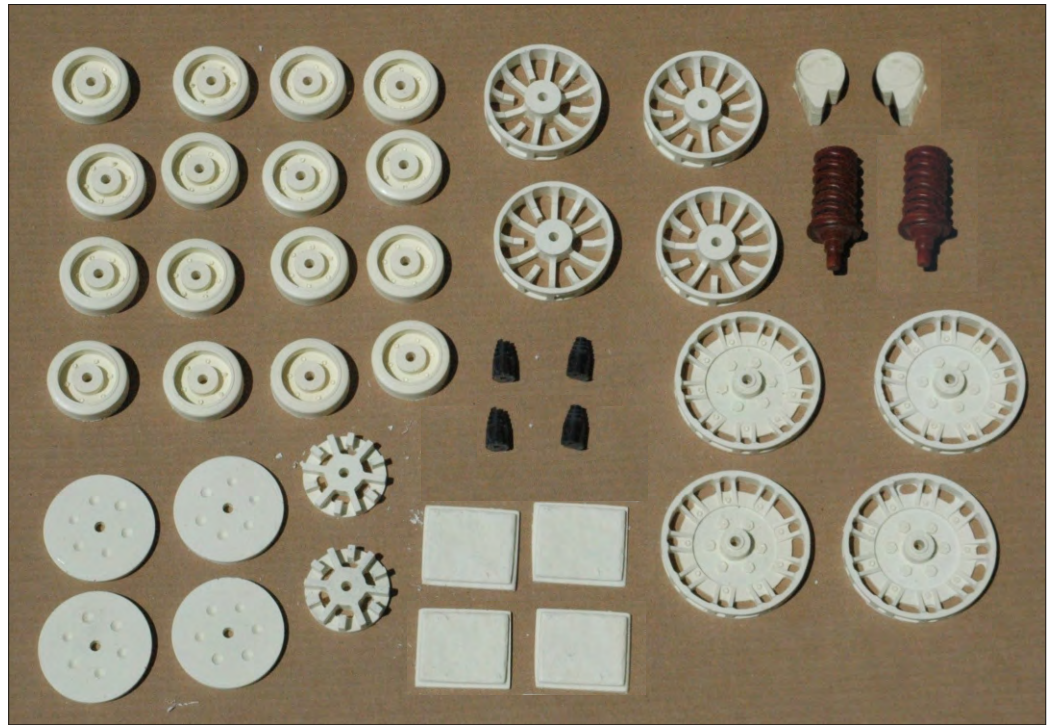
Crew Compartment seat back short RM3-166



Crew Compartment seat back medium x 2 RM3-167

## Bag B:

Bogie wheels 16  
 Drive gears hubs 4  
 Drive gear hub spacer 4  
 Idler wheels hubs 4  
 Idler wheel inner core 2  
 Suspension springs 4  
 Rear tension springs 2  
 Rear tension spring holder 2  
 Front seat cushions 4



Bogie Wheels x16  
 RM3-168



Drive Gear Hub  
 Spacer x4  
 RM3-169



Drive Gear Hubs x4  
 RM3-170



Idler Wheel  
 Hubs x4  
 RM3-171



Idler Wheels  
 Inner Core x2  
 RM3-172



Suspension Spring  
 x 4  
 RM3-173



Rear Tension  
 Springs x 4  
 RM3-174



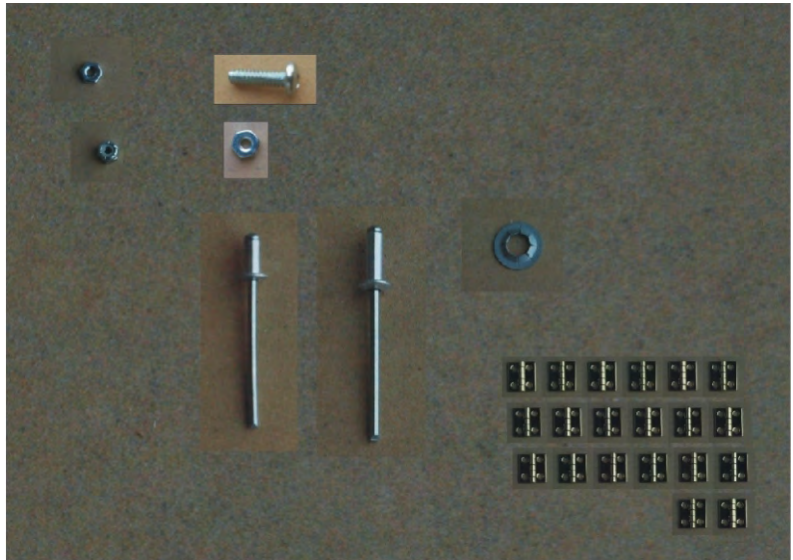
Rear Tension  
 Spring Holder  
 Left and Right  
 RM3-175



Front Seat  
 Cushions x 4  
 RM3-176

## Bag C:

Rivets X 250  
 Long rivets x 16  
 2 ½ inch 8/32 screws x 16  
 Push nuts x 22  
 Screws for track x 120  
 Nuts for track x 120  
  
 8-32 locknuts x 16  
 8-32 regular nuts x 8  
 Hinges x 17



Rivets x 250  
 HM3-177



Long Rivets x 250  
 HM3-178



2 ½ inch 8/32  
 Screws x 16  
 HM3-179



Pushnuts x 22  
 HM3-180



Screws  
 for track x 120  
 HM3-181



Nuts  
 for track x 120  
 HM3-182



8-32 locknuts  
 x 16  
 HM3-183



8-32 regular  
 nuts x 8  
 HM3-184



Hinges x 17  
 HM3-185

## Wheel Spacers

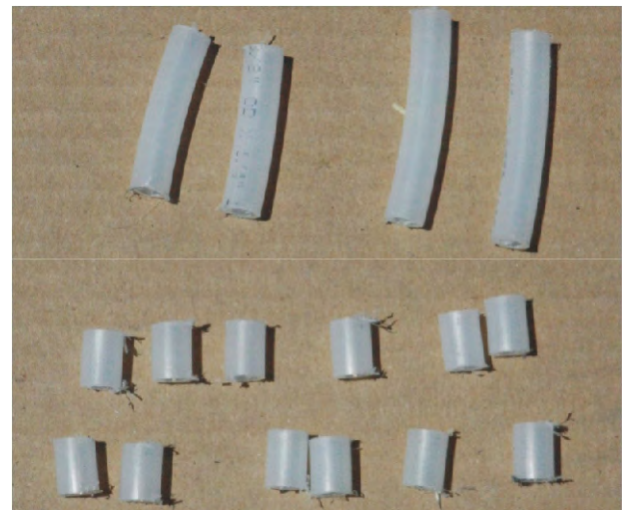
Front wheel – Longest Spacer 2 Inches x 2  
 Idler wheel – .5 (½ inch) x 2  
 Drive gear – Second Longest 1 5/8th inches) x 2  
 Bogie – .5 (½ inch) x 8  
 Return wheel – .5 (½ inch) x 2



Front Wheel  
 Spacer 2 Inches x 2  
 SM3-186



Drive Gear  
 Spacer 1 5/8th inches x 2  
 SM3-187



All Other  
 Spacers ½ x 12  
 SM3-188

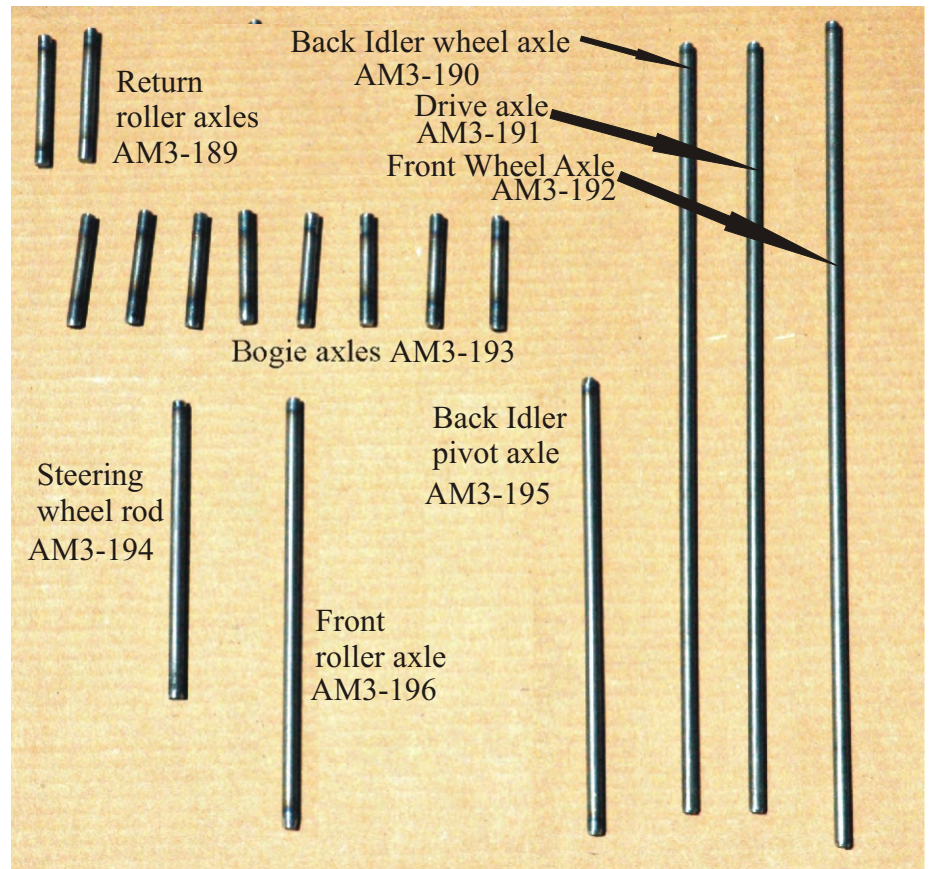
# Additional Parts

## Axles

Front roller axle (1) 7 1/8 inches  
 Steering wheel rod (1) 4 1/2 inches  
 Drive axle (1) 13 1/4 inches  
 Back Idler wheel axle (1) 13 1/4 inches  
 Front Wheel Axle (1)  
 Back Idler pivot axle (1) 7 5/8 inches  
 Return roller axles (2) 2 1/2 inches  
 Bogie axles (8) 2 1/8 inches

Front fenders left  
 Front fender right

Rubber Tracks x 2  
 Rubber Tires x 2 (4 halves)



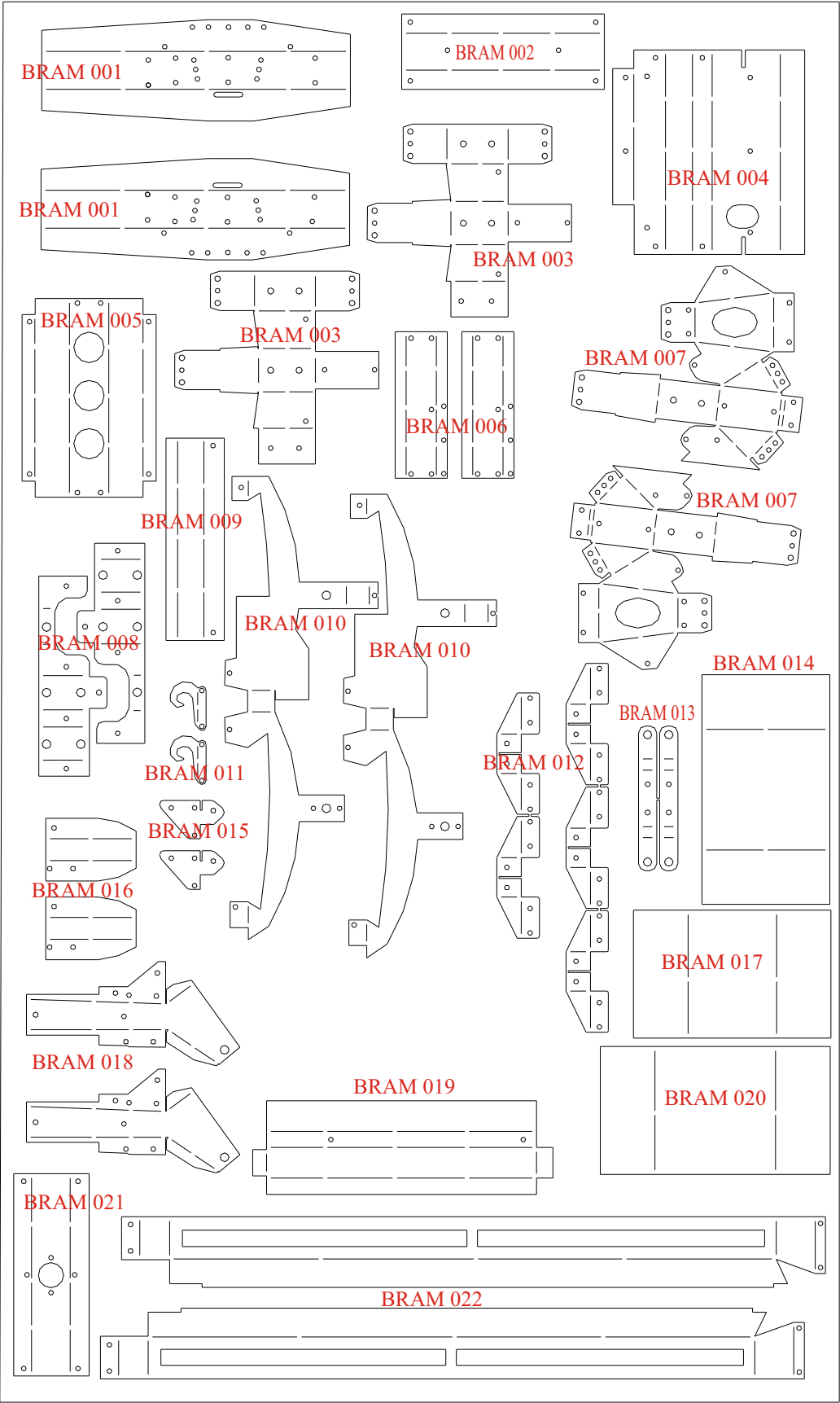
Front Tire x4  
 RM3-199



Tracks x 2 RM3-200

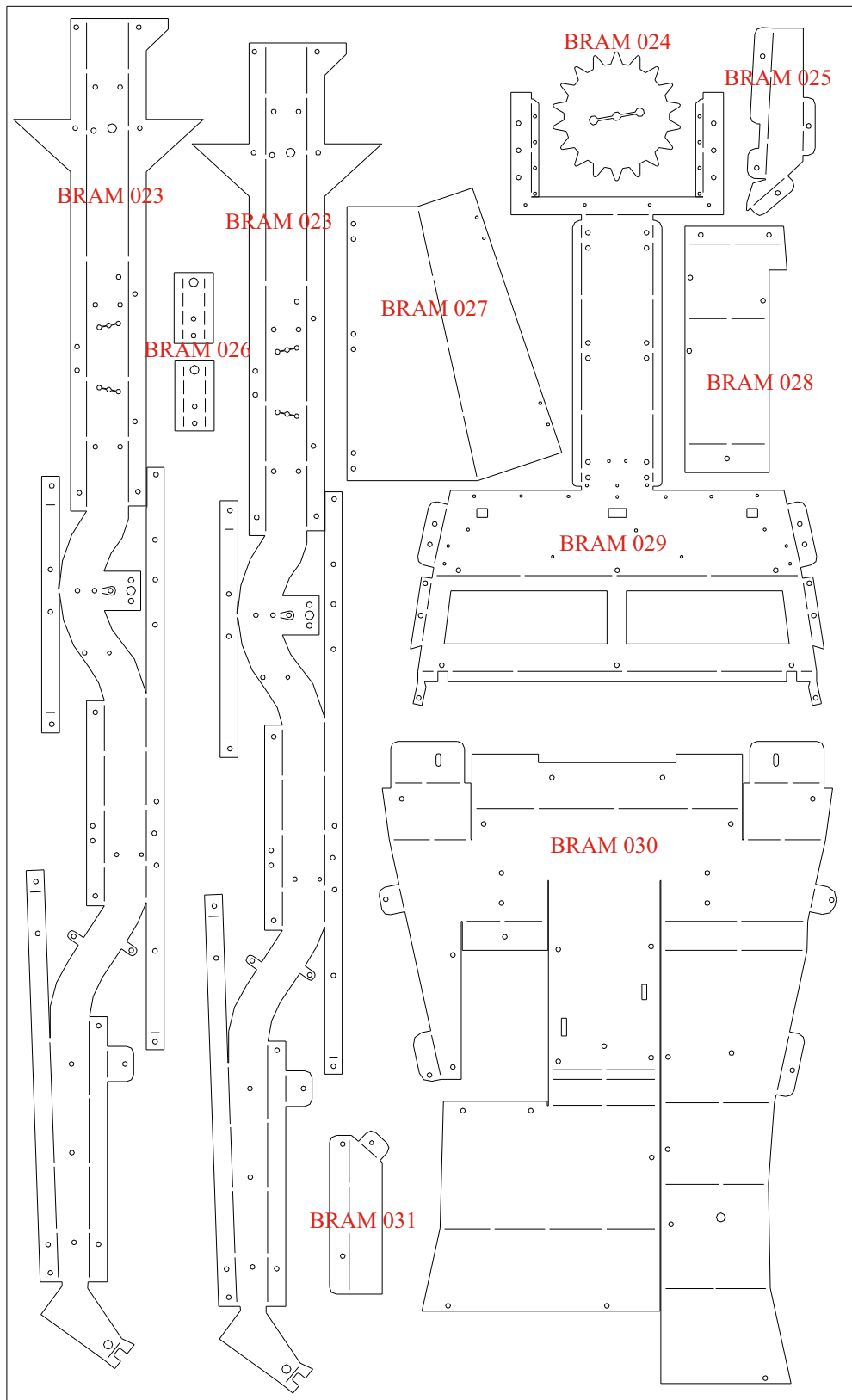
# Metal Parts

# Sheet One

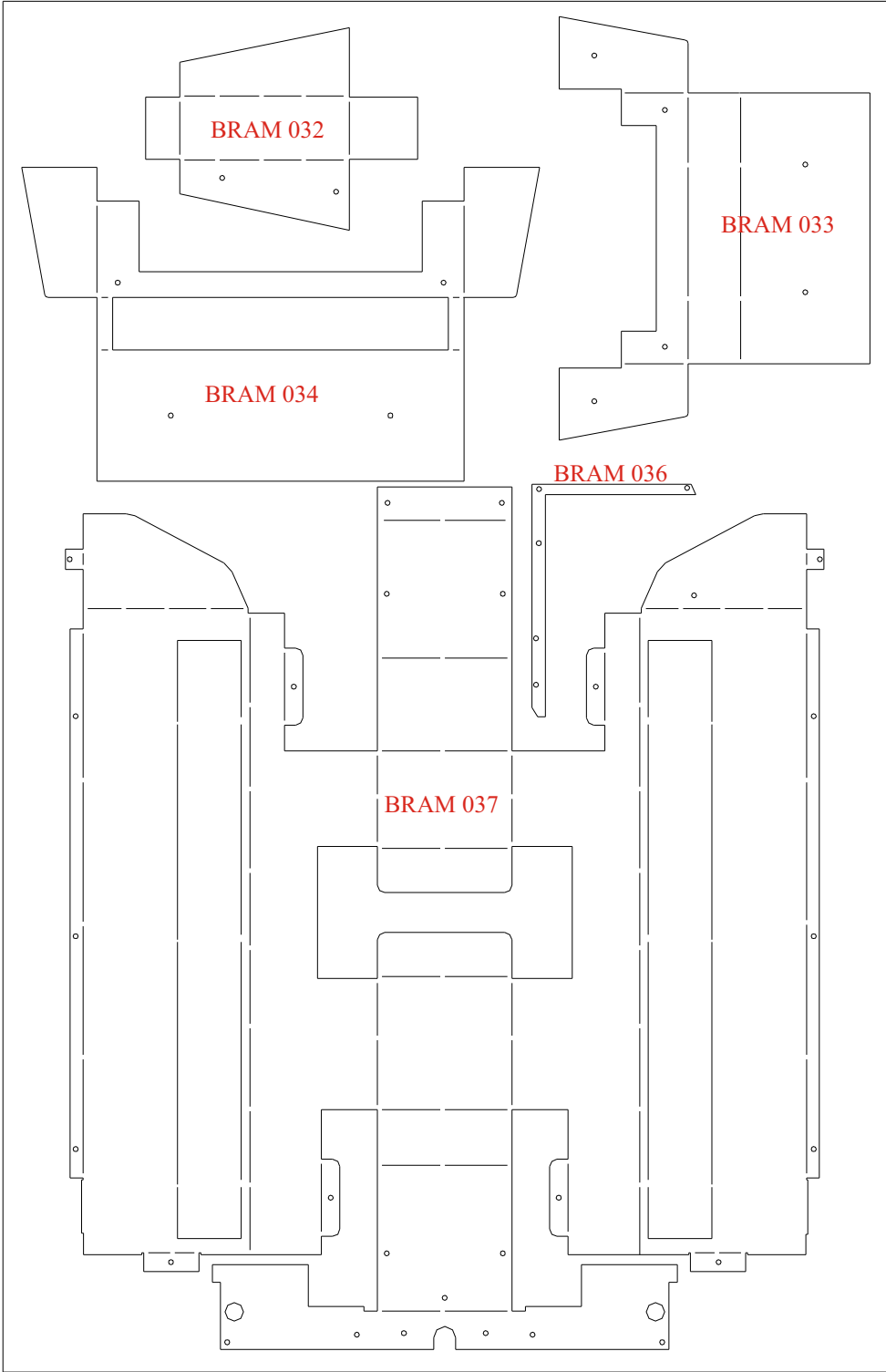




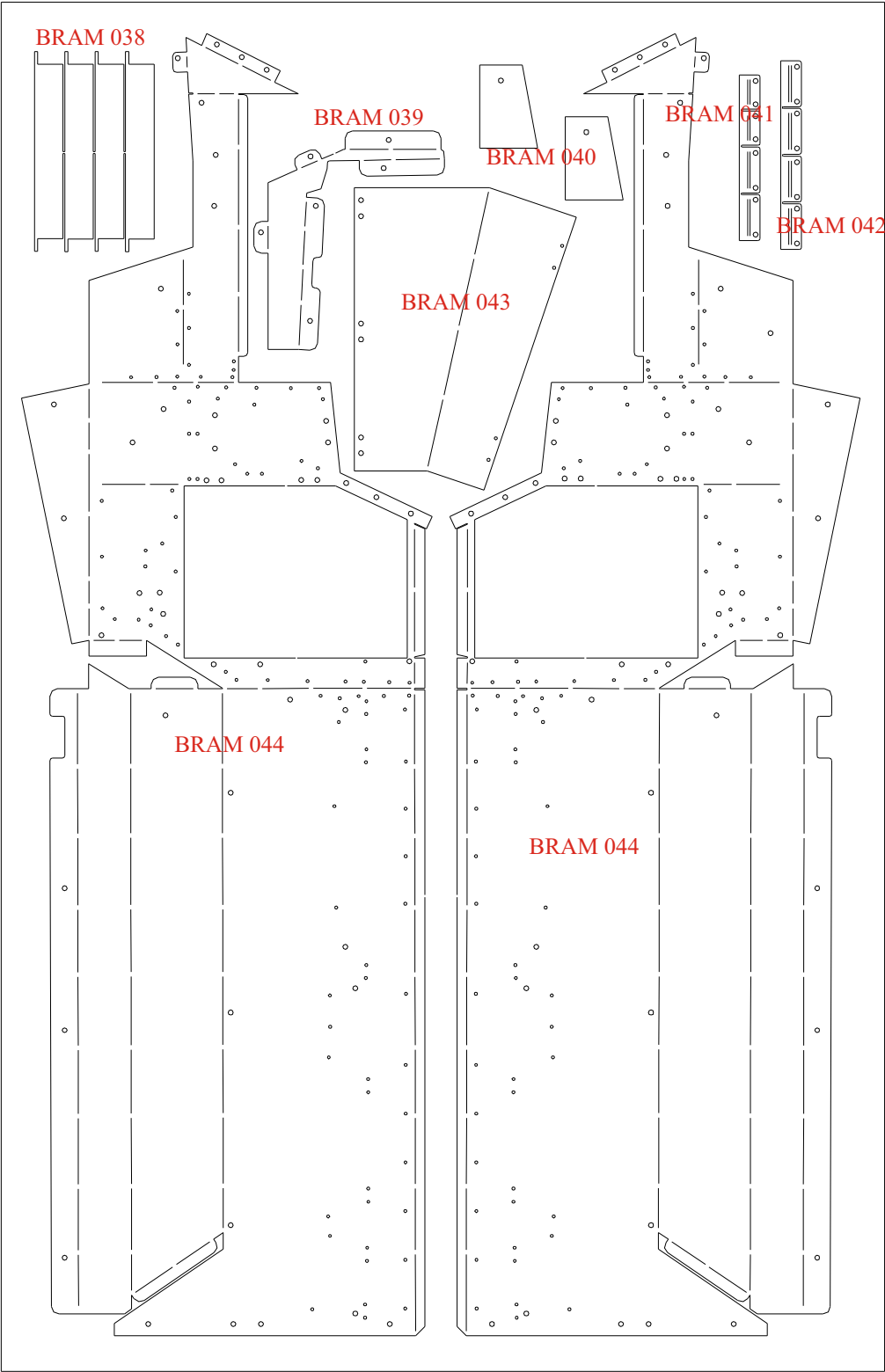
# Metal Sheet Two



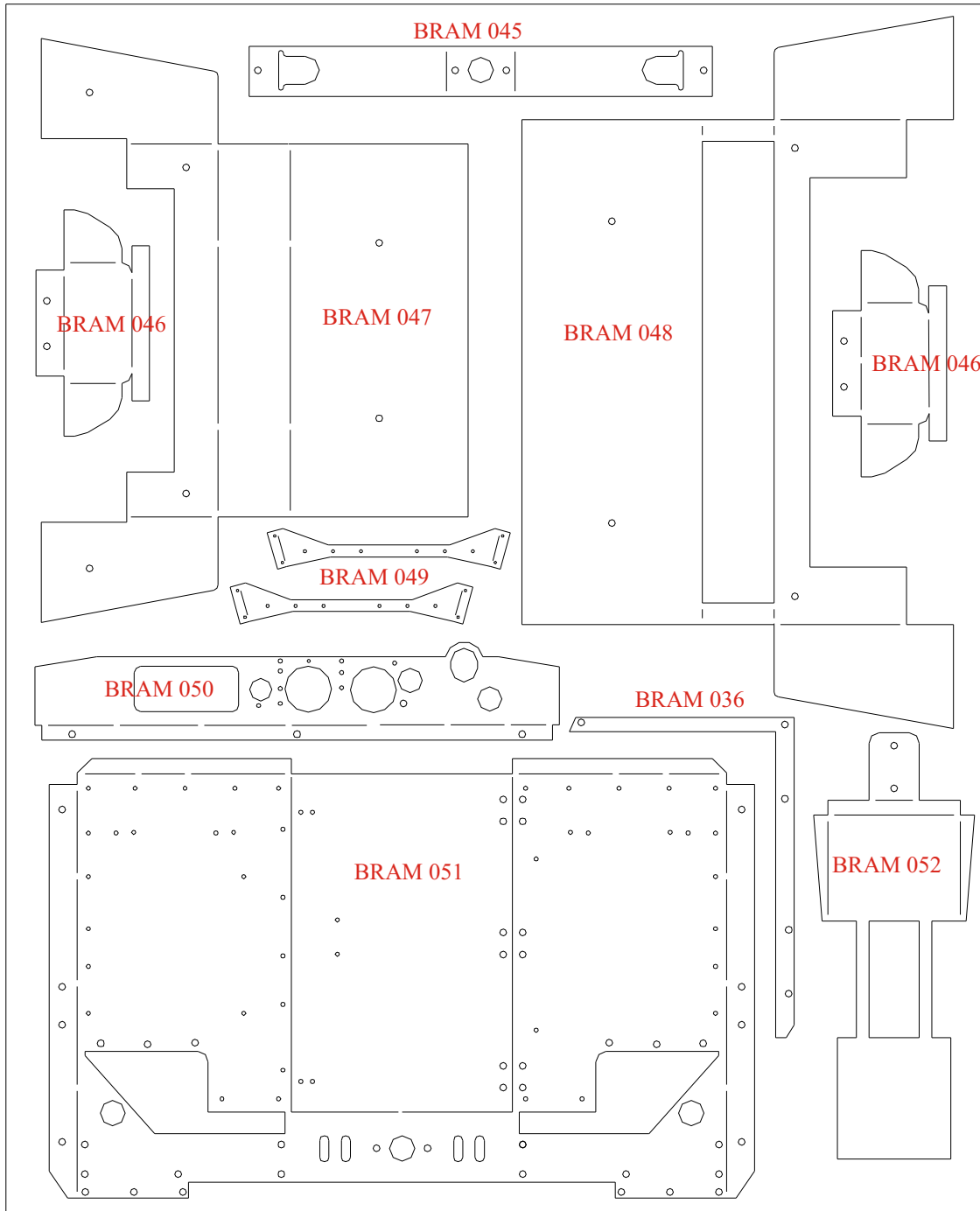
# Metal Sheet Three



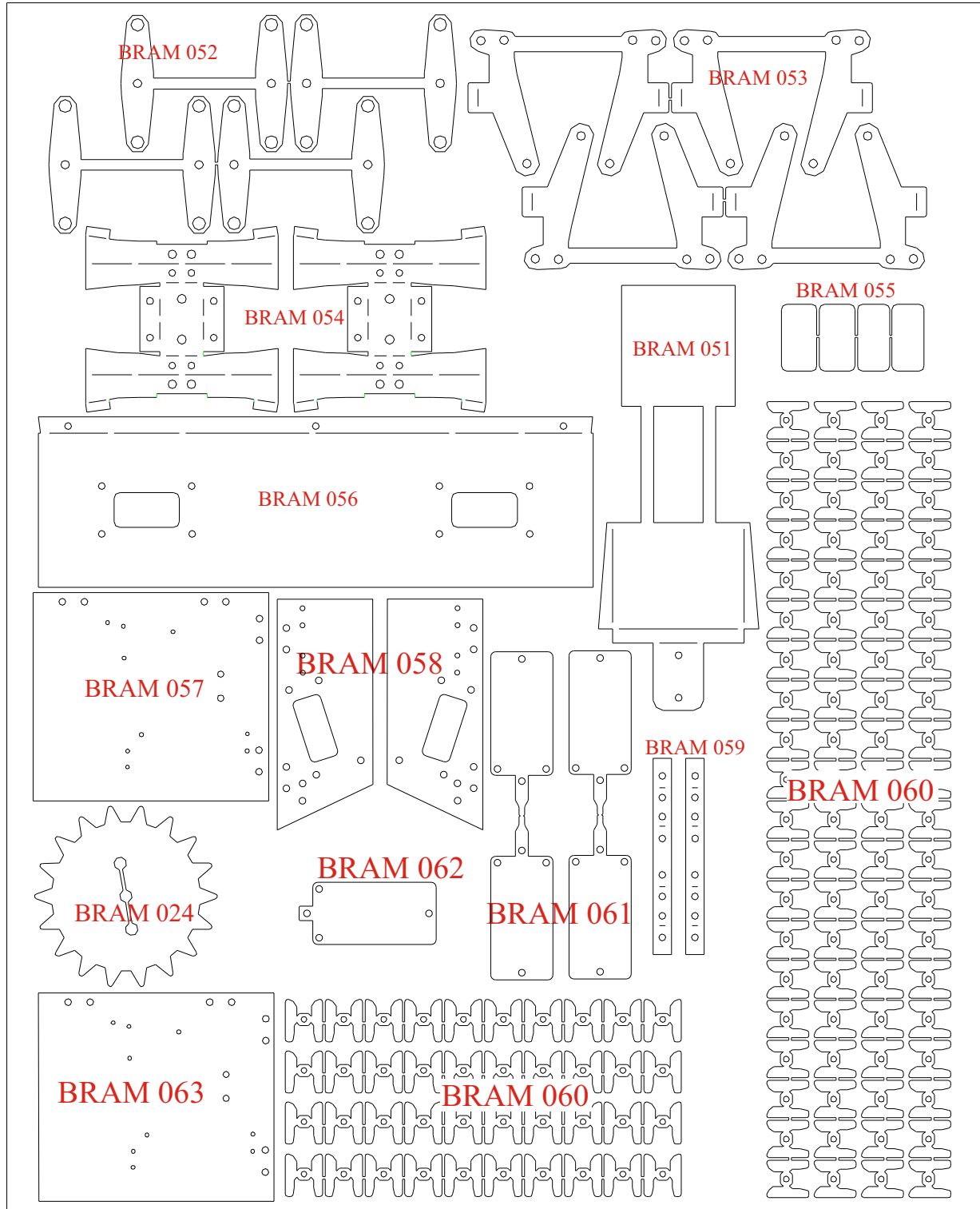
# Metal Sheet Four



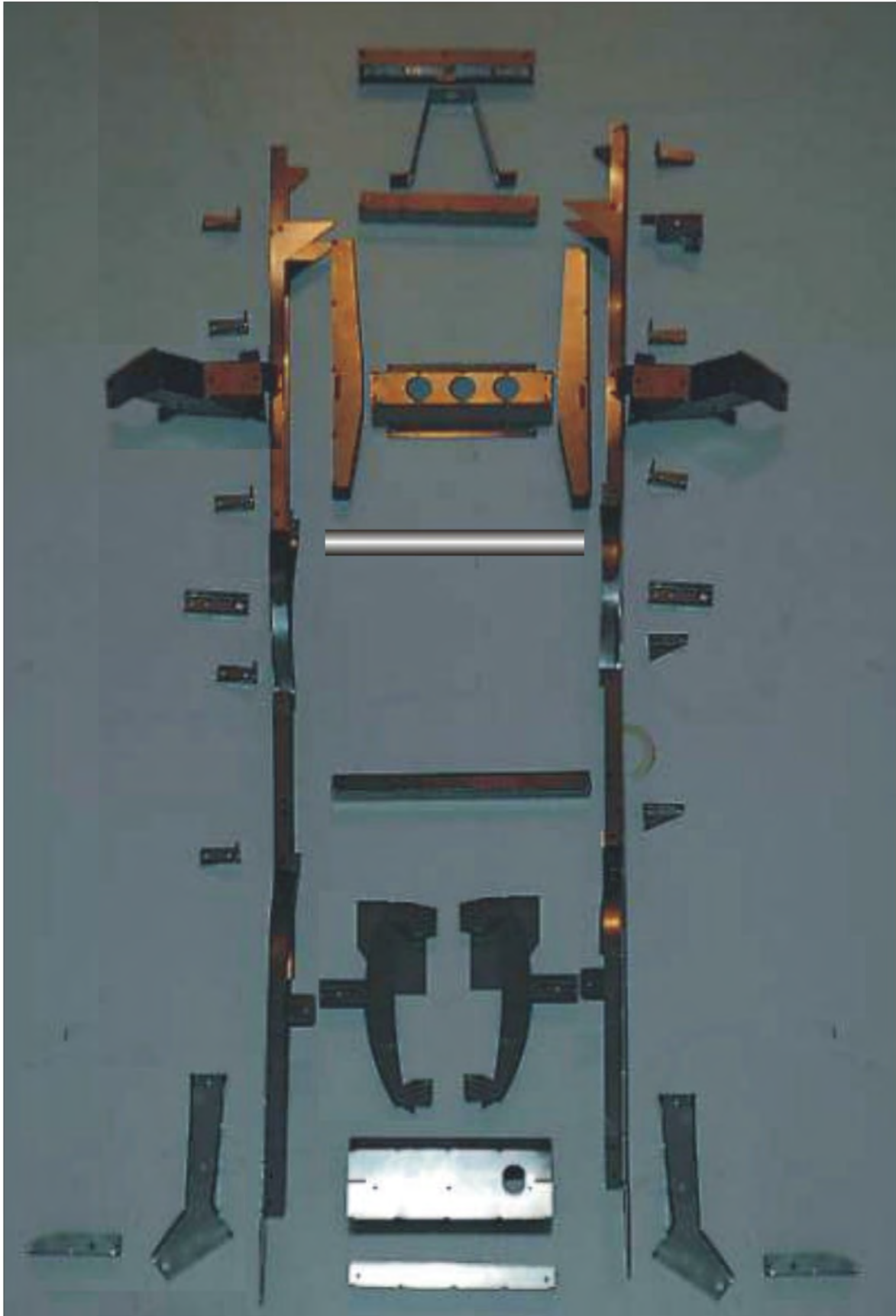
# Metal Sheet Five



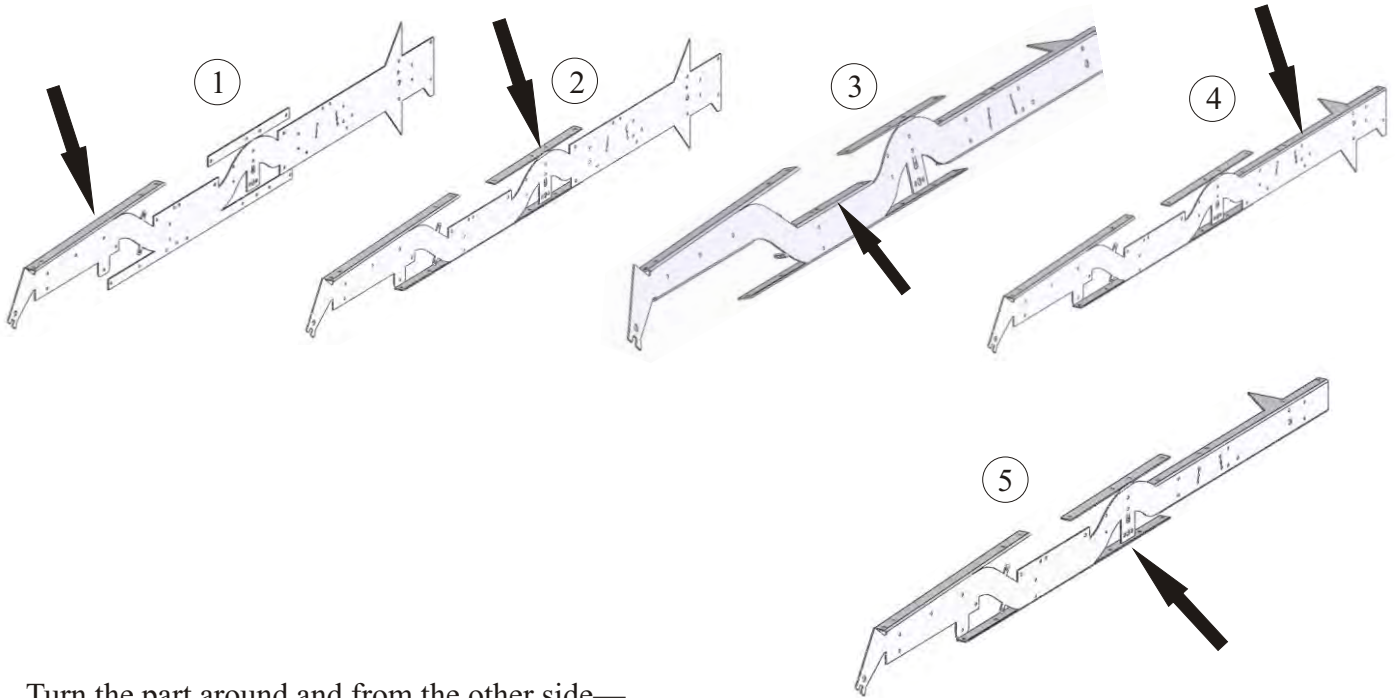
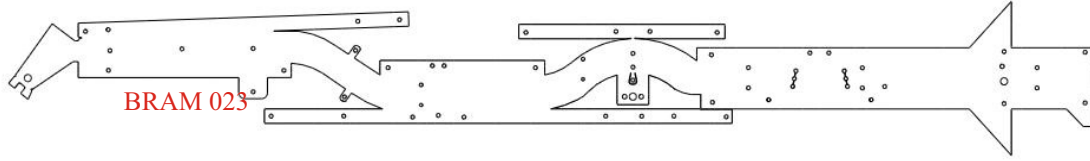
# Metal Sheet Six



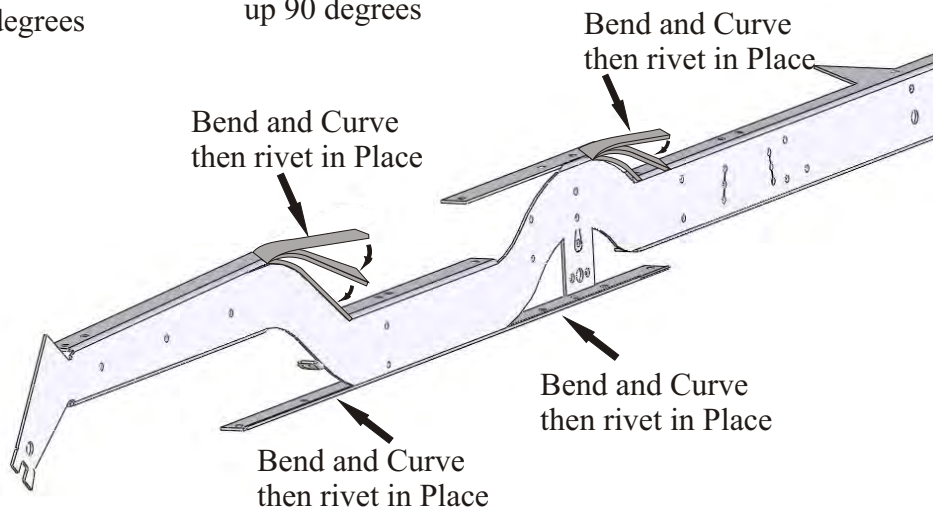
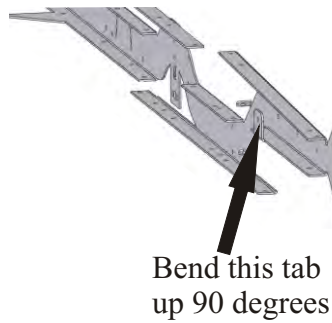
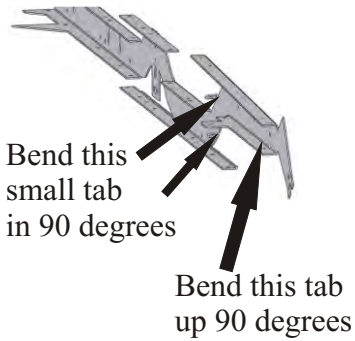
# Parts for Frame Construction



# Frame Rail Construction

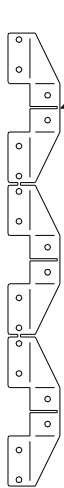


Turn the part around and from the other side—



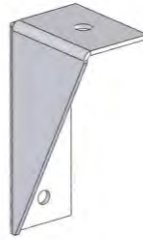
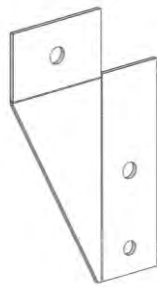
# Floor and Body Holder Brackets

Break Brackets apart at this line



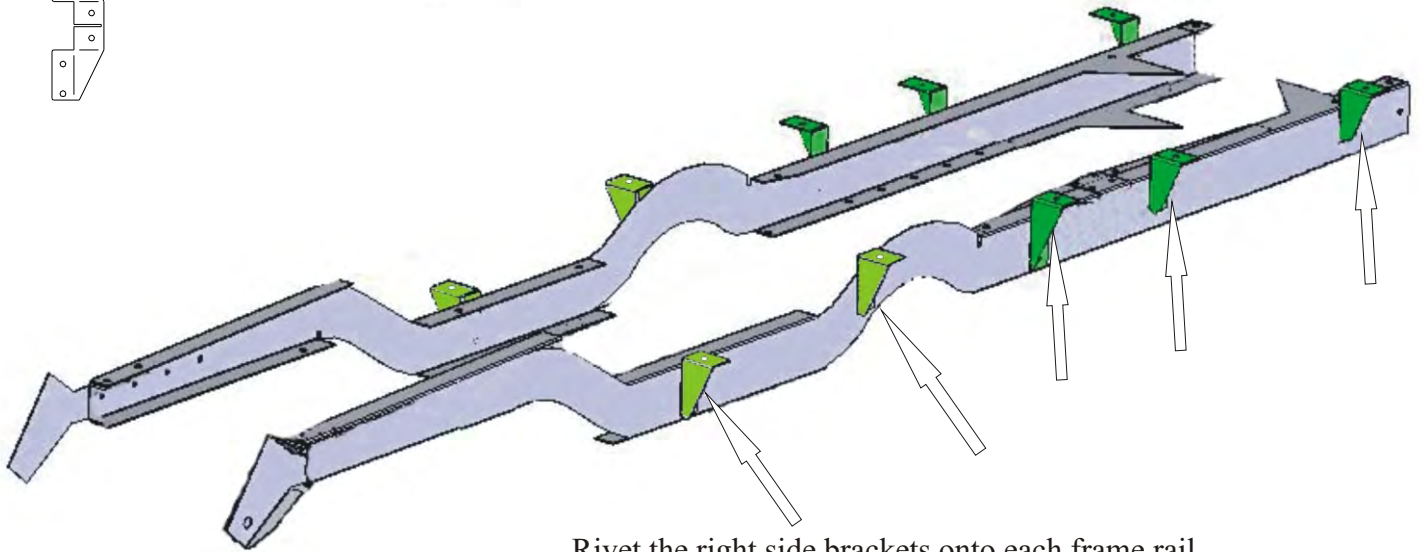
Part BRAM 012

Fold over as shown

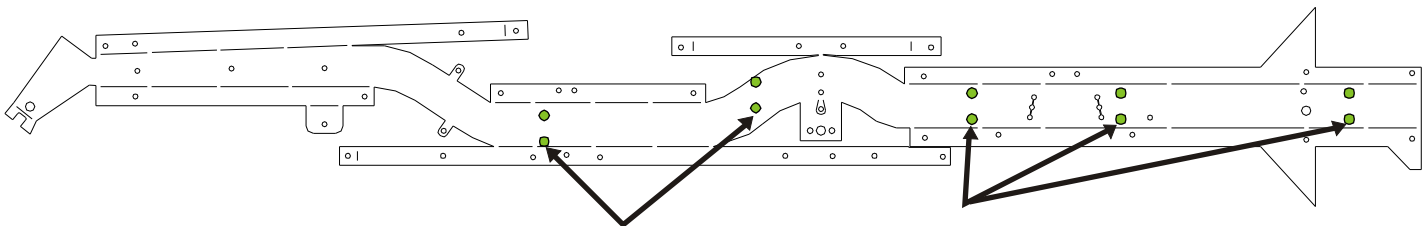


**\* Remember to fold**

5 pieces one way  
and 5 pieces the  
opposite way



Rivet the right side brackets onto each frame rail

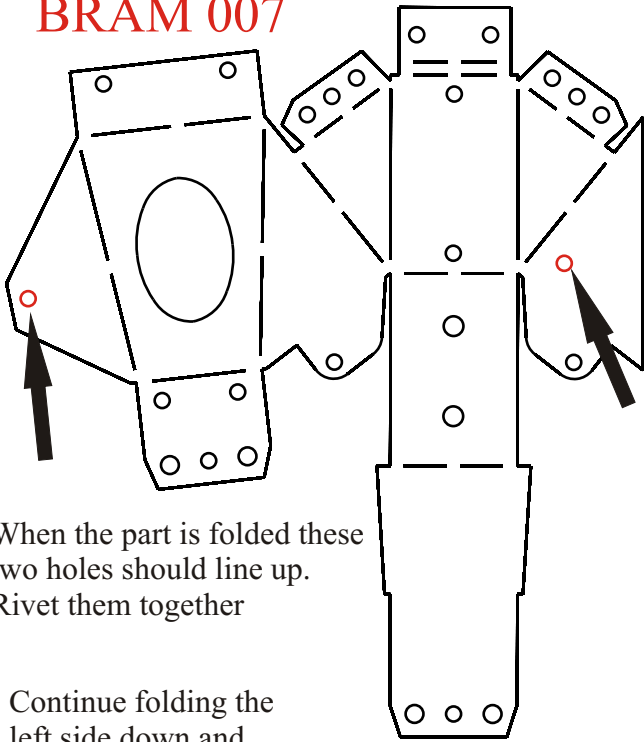


Brackets go in these Double Hole Configurations



# Outer Rear Suspension Block

BRAM 007

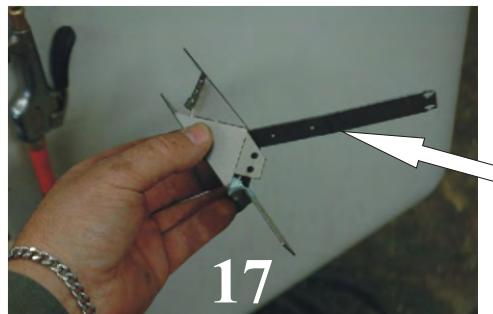
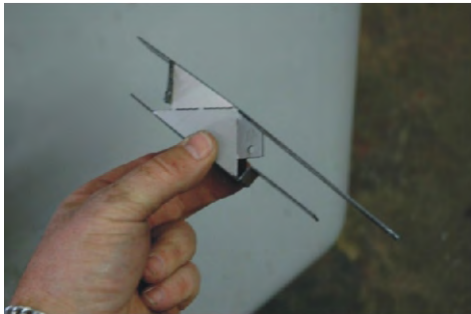
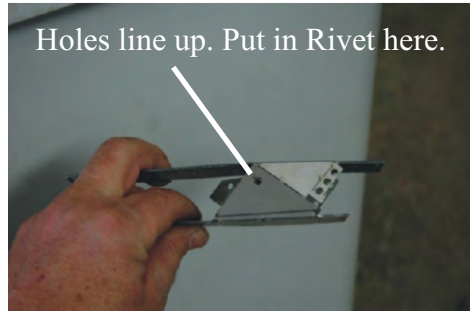
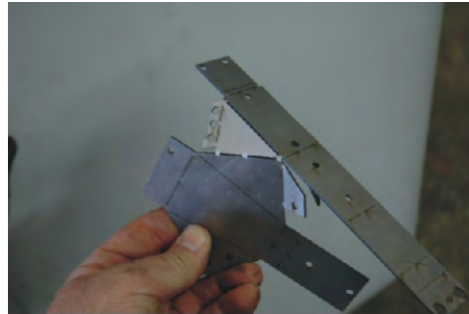


When the part is folded these two holes should line up. Rivet them together

Continue folding the left side down and wrapping it around until the red holes line up.

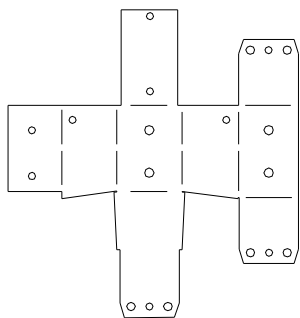


Hold the part as shown and fold down and around to have the red holes line up

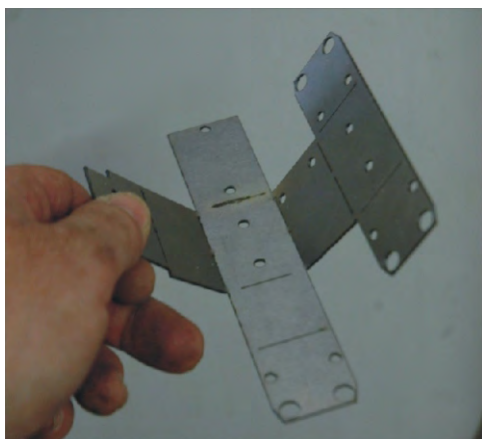


Bend this long tab up in preparation for inserting the inner bogie block

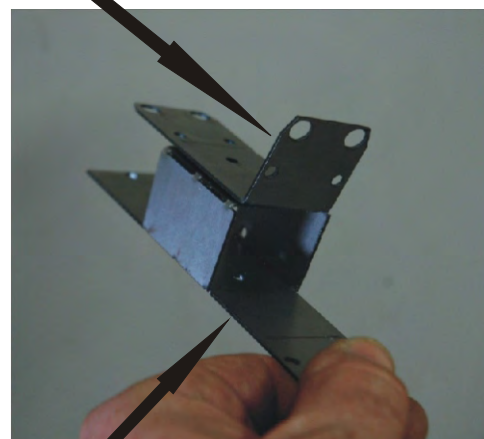
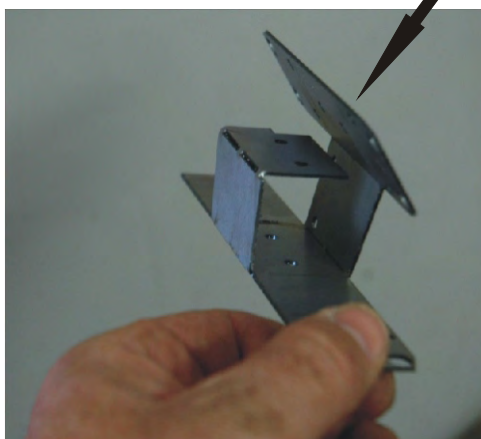
# Inner Rear Suspension Block



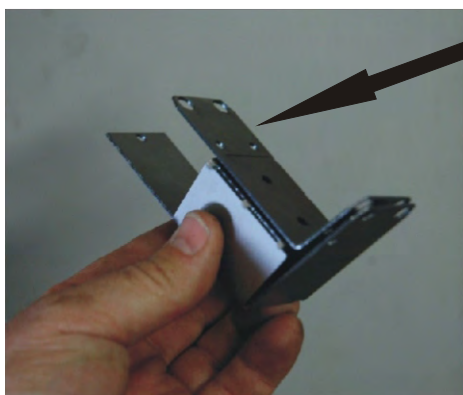
BRAM 003



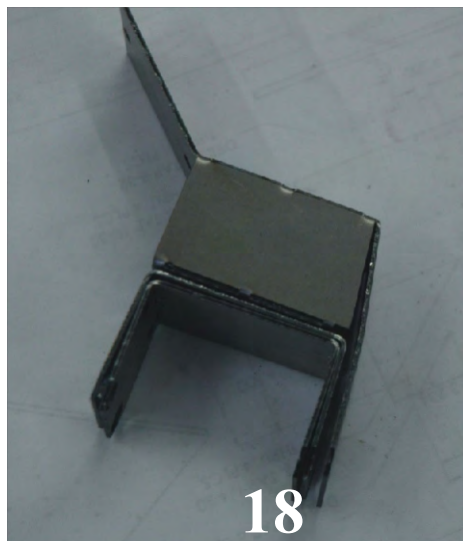
Fold this tab down and the back part up



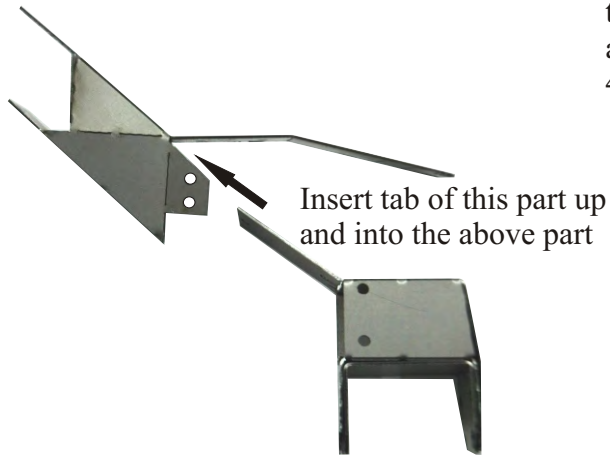
Fold this tab up



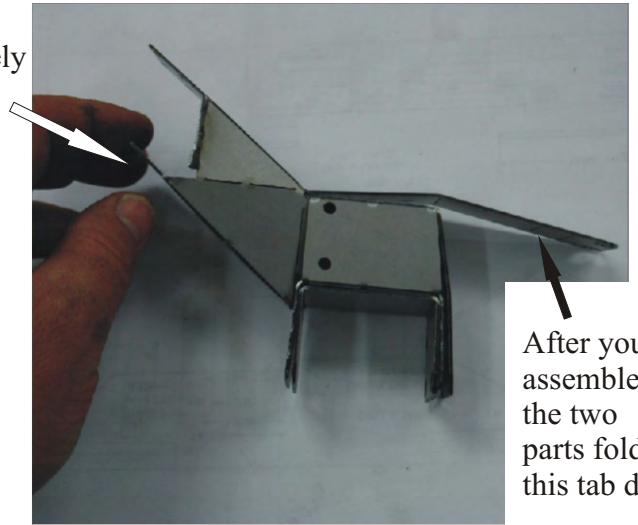
Fold this tab up



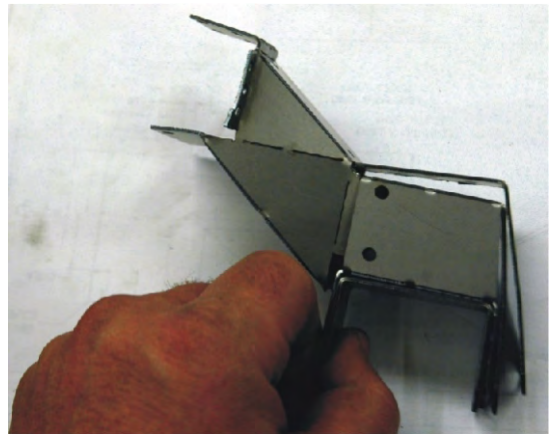
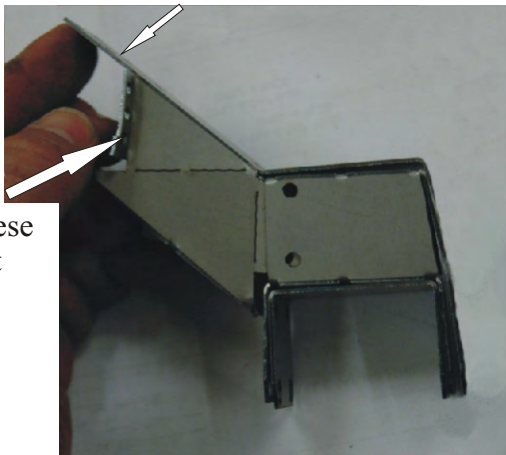
# Assemble Outer and Inner Rear Suspension Blocks



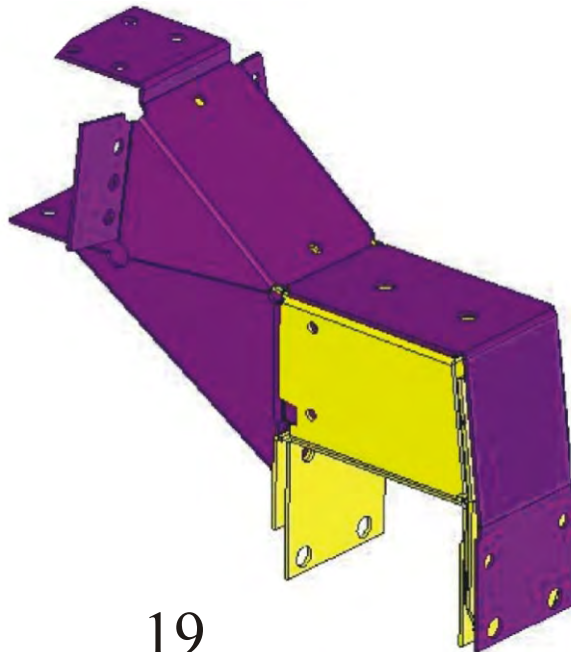
Fold this Lower tab down approximately 45 degrees



Fold this tab down approximately 45 degrees

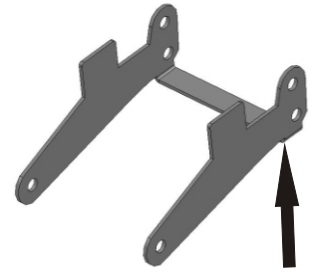
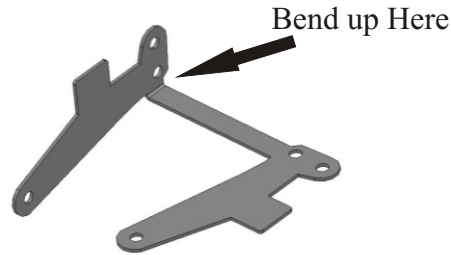
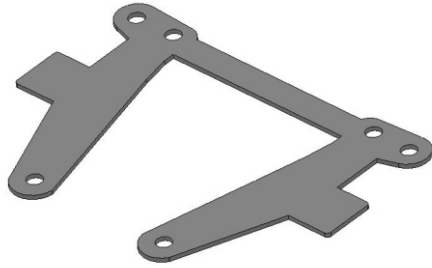
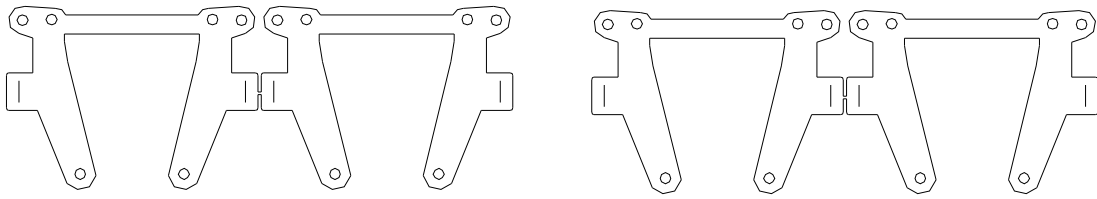


Set Part aside for now



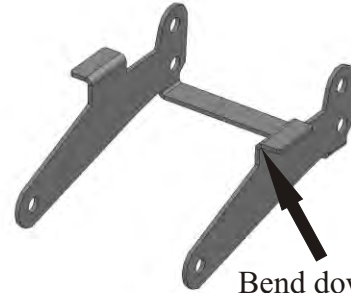
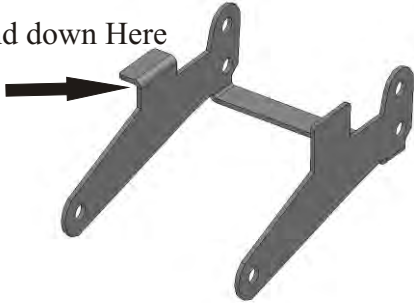
# Roadwheel Carriage Holder

BRAM 053



Bend up Here

Bend down Here



Bend down Here



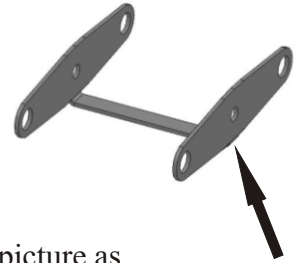
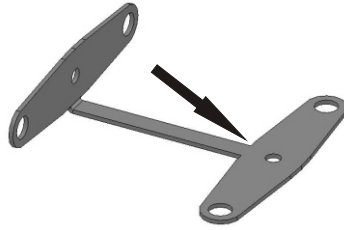
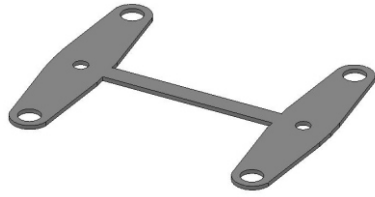
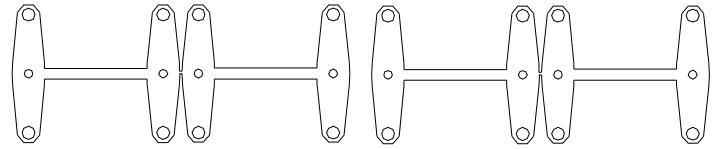
Tighten regular nuts as shown and then put locknut on. Tighten all nuts against themselves so that they help brace the carriage. Assemble with Locknut facing out.

Insert the bolt into the Carriage and screw on TWO regular nuts.



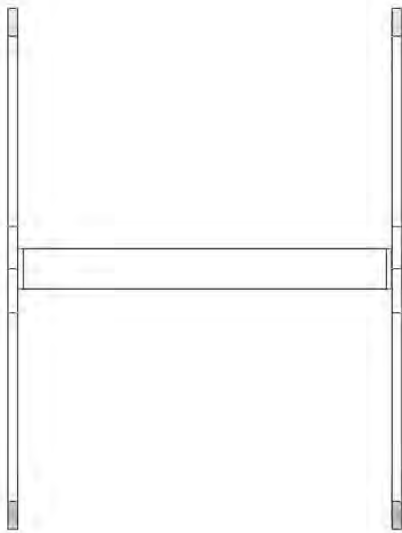
# RoadWheel carriage

BRAM 052

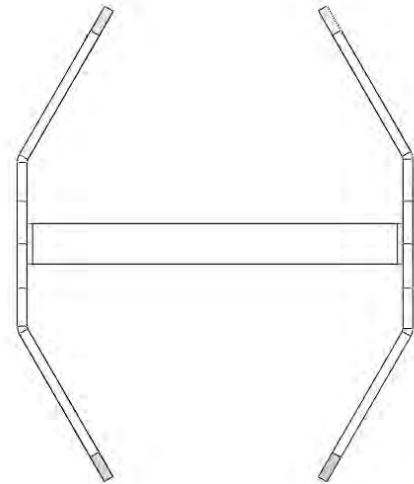


Using this picture as a template bend as shown below

Using picture as template continue bending as shown below

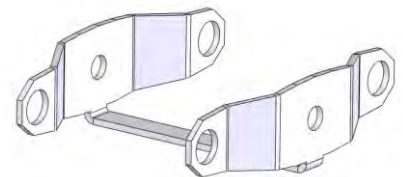
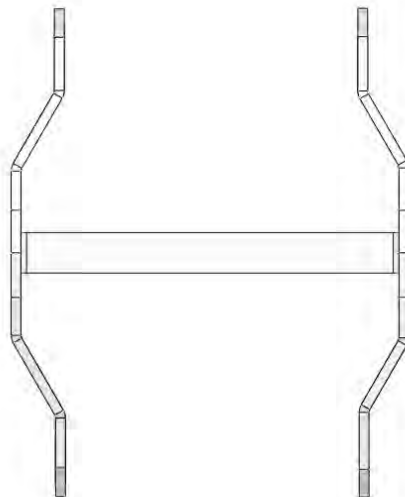


Actual size. Bend to Match

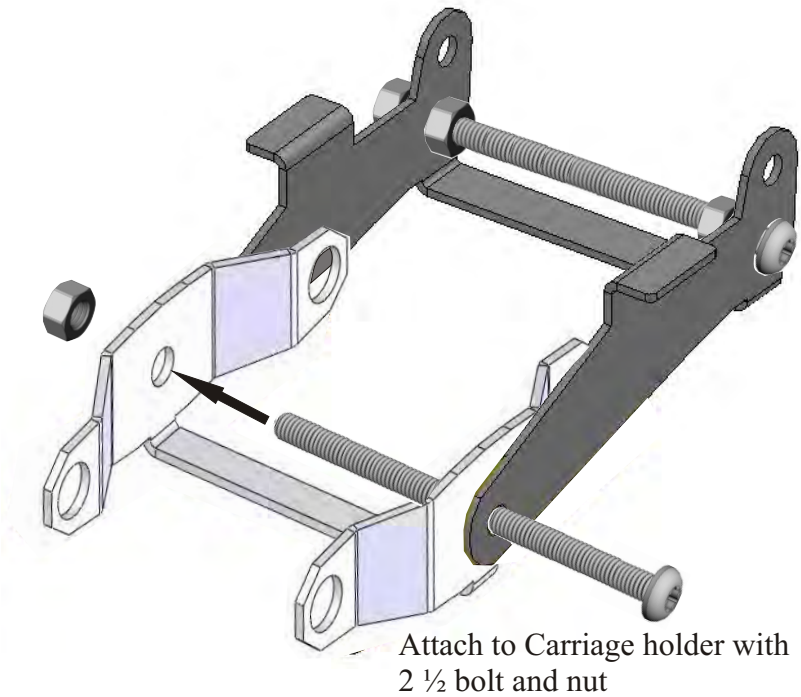


Using picture as template continue bending as shown below

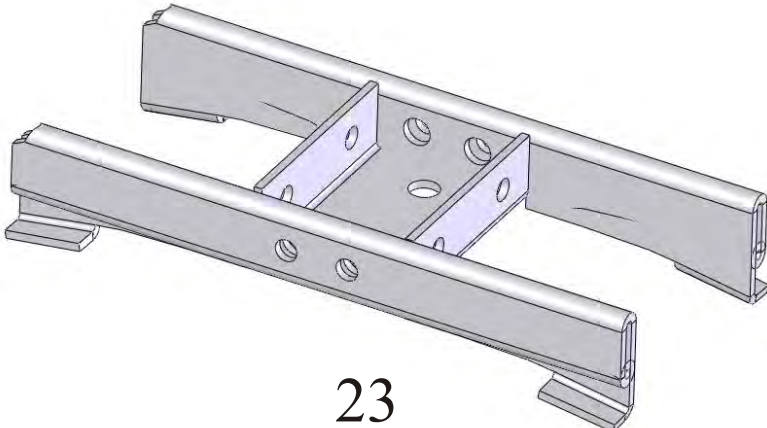
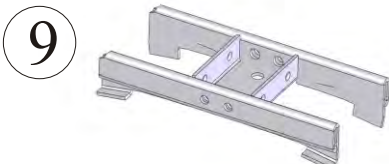
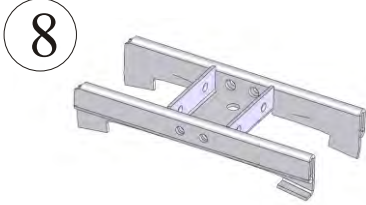
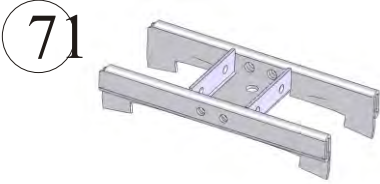
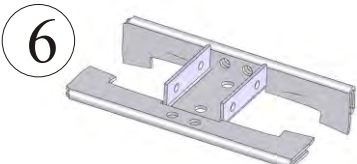
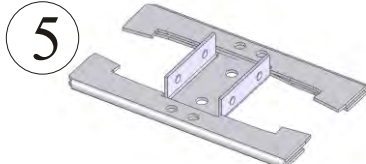
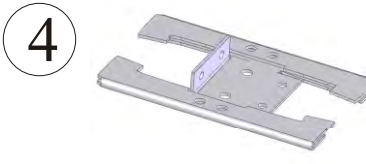
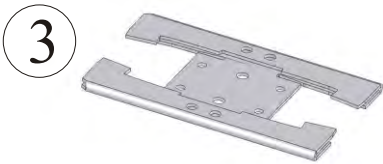
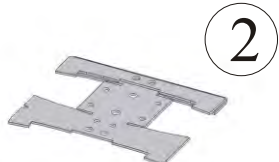
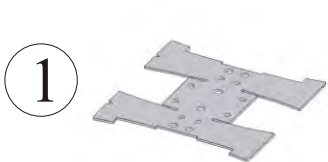
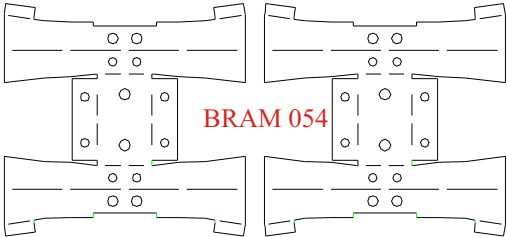
Actual size. Bend to Match



# Assemble Carriage as shown below

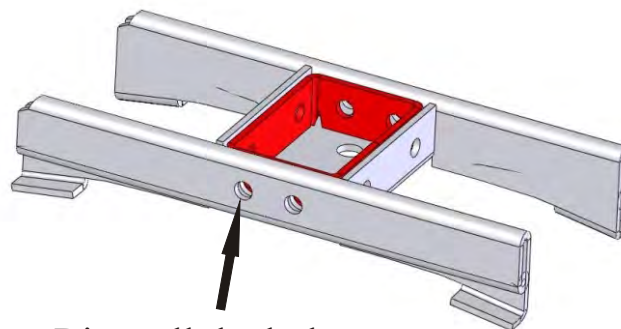
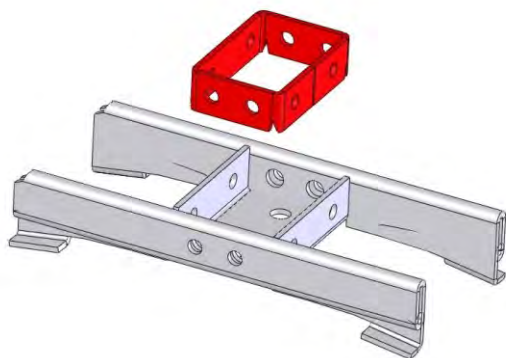
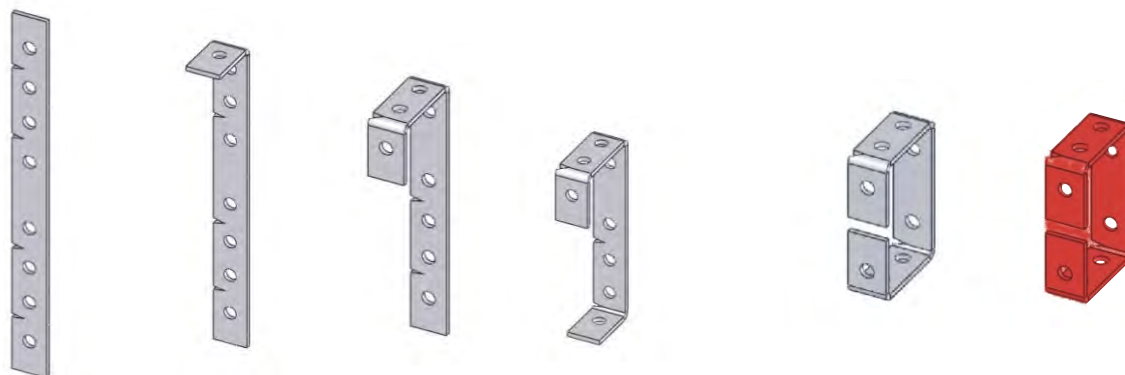
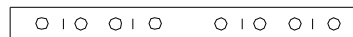


# Suspension Rocker

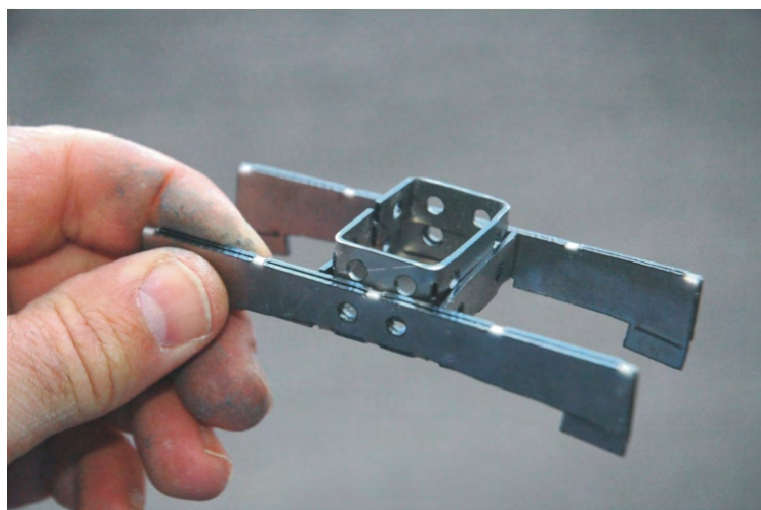


# Rocker Support Bracket

BRAM 059



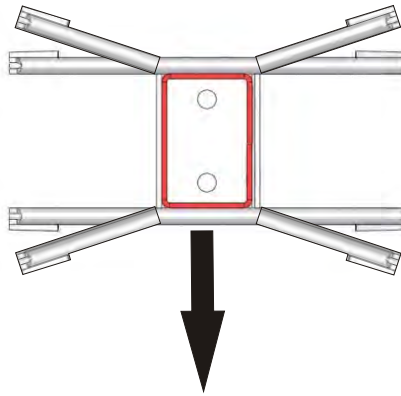
Rivet all the holes to attach rocker support bracket





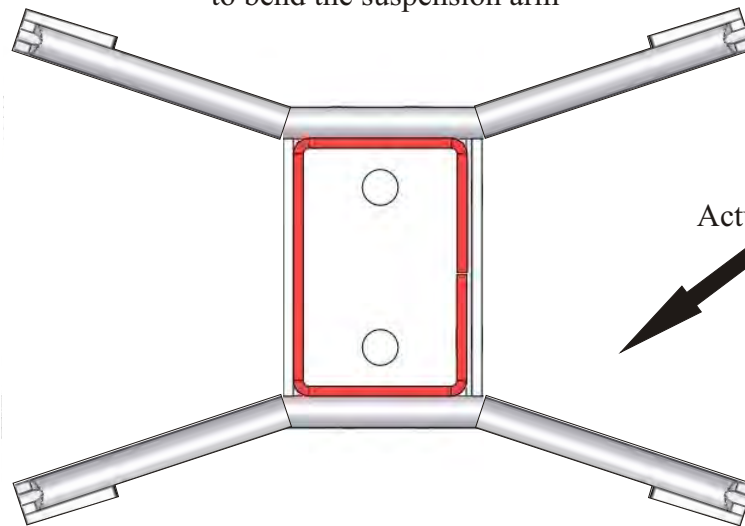
# Suspension Rocker (Continued)

9



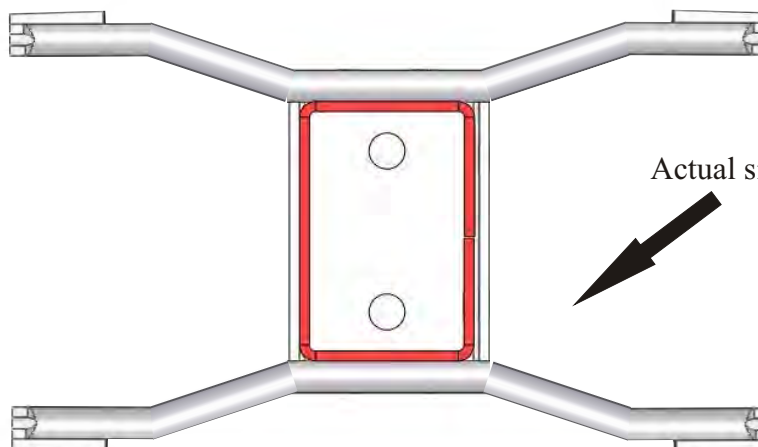
Use this drawing as a template  
to bend the suspension arm

10



Actual size. Bend to Match

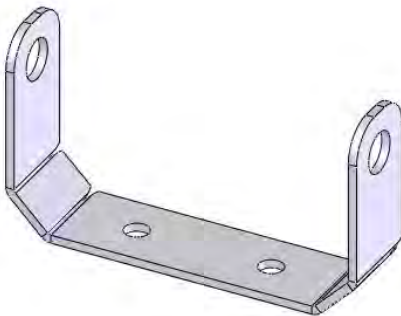
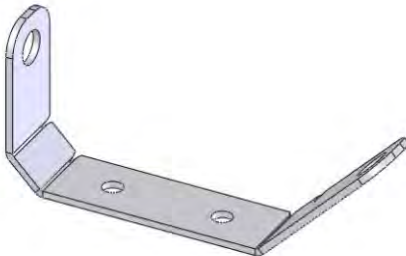
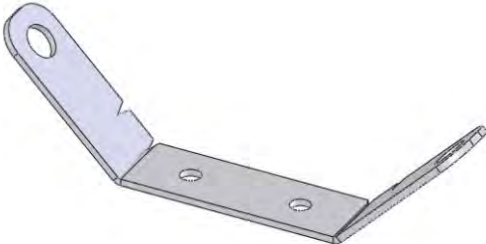
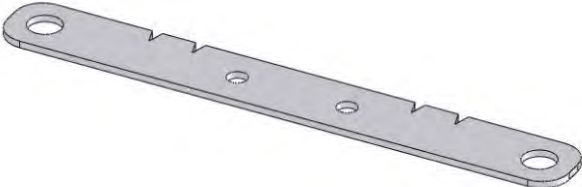
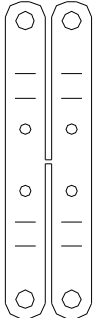
11



Actual size. Bend to Match

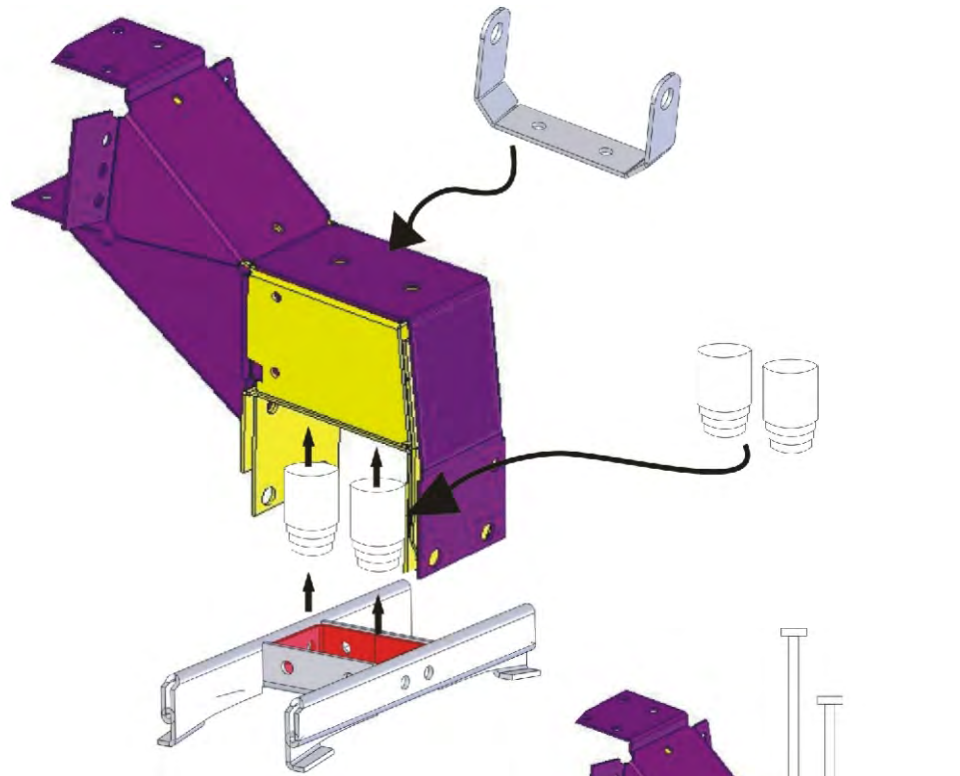
# Return Roller Wheel Bracket

BRAM 013



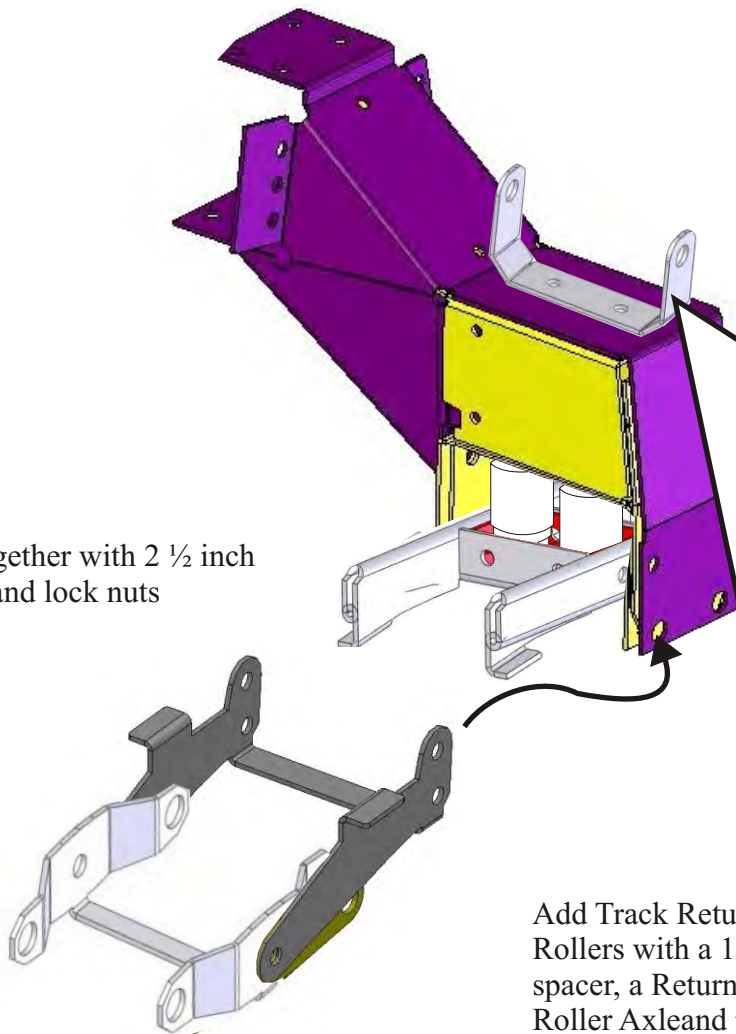
# Suspension Block Assembly

Assemble two sets

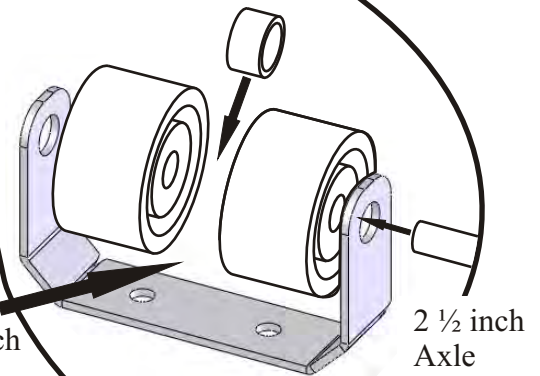


Attach return roller bracket, springs, H piece, and Suspension block, with 2 ½ inch screws and nuts

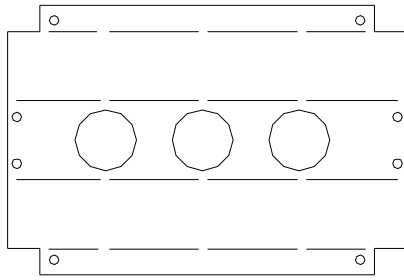
Hold together with 2 ½ inch screws and lock nuts



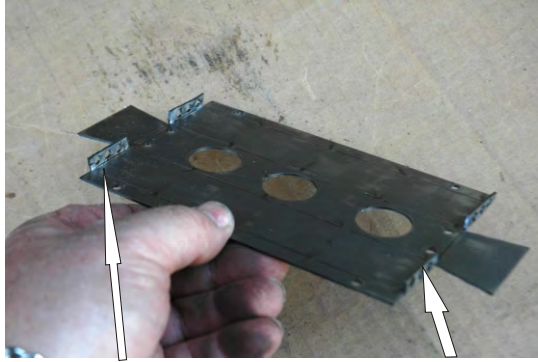
Add Track Return Rollers with a 1/2inch spacer, a Return Roller Axle and pushnuts



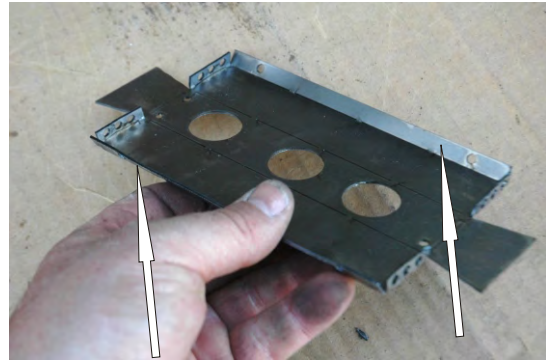
# A Frame Cross Brace



BRAM 005



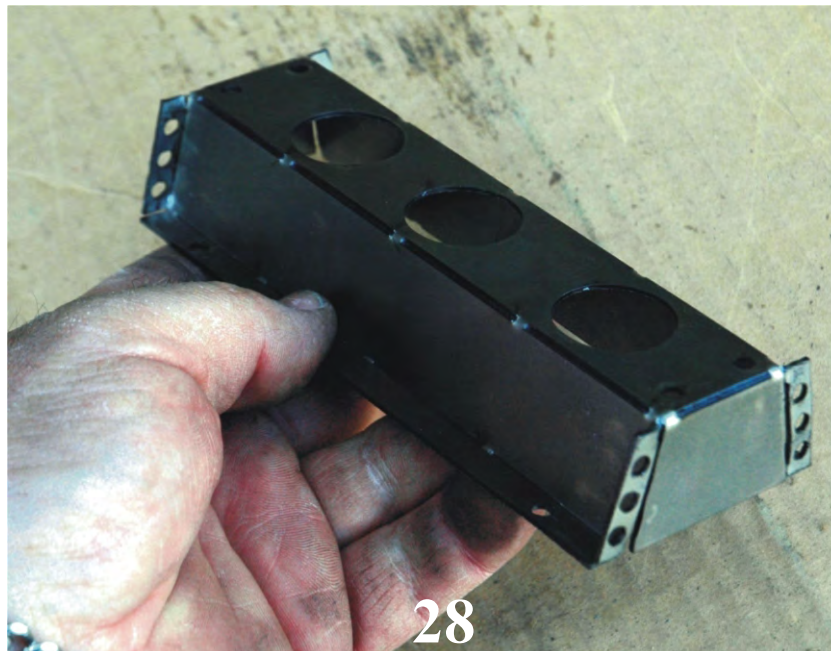
Orient the part as shown and bend the end tabs up.



Bend the side tabs up



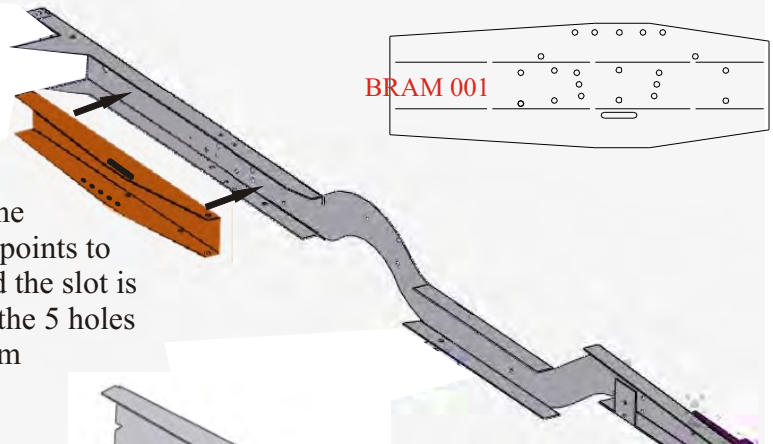
Bend all the remaining tabs down



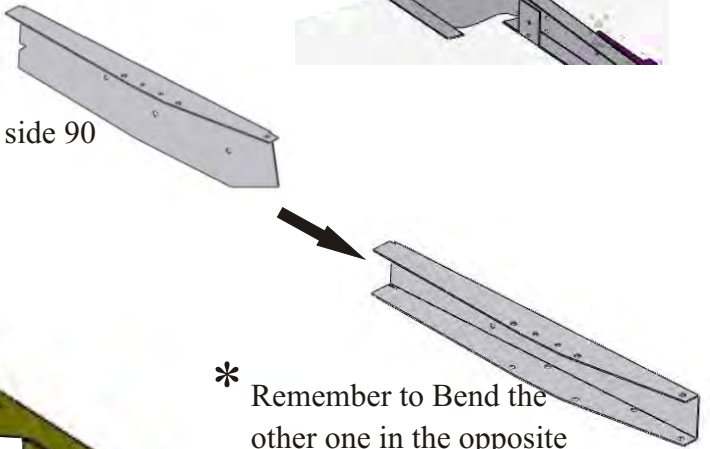
# Frame Reinforcing and Cross bracing



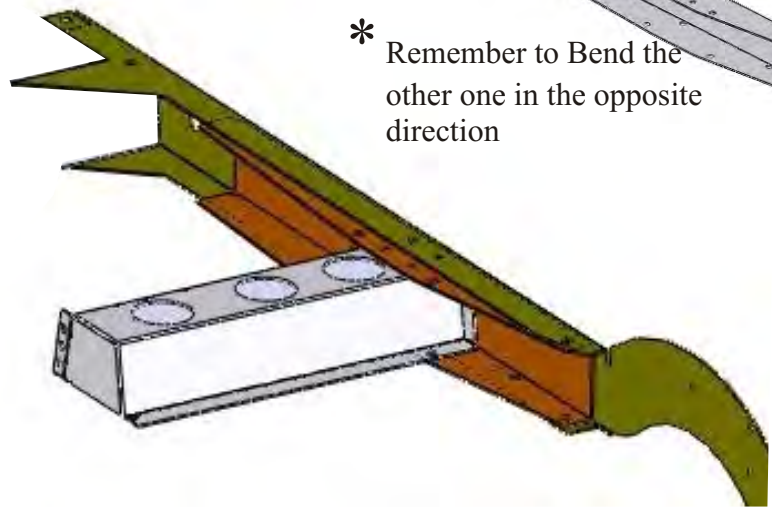
Make sure the **short** angle points to the front and the slot is on top with the 5 holes on the bottom



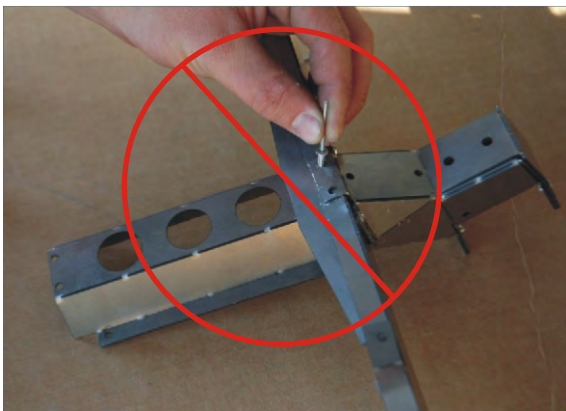
Bend each side 90 degrees.



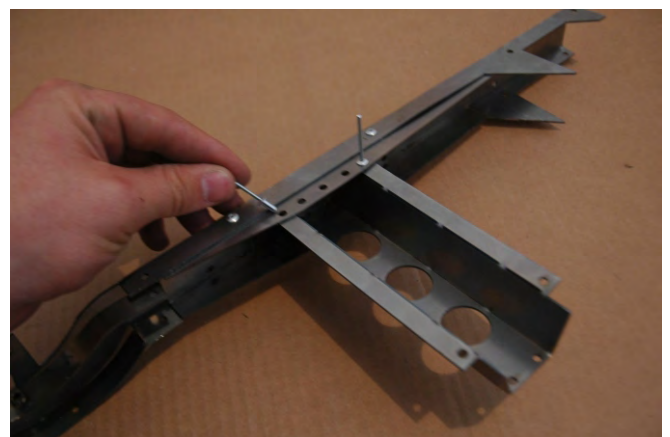
\* Remember to Bend the other one in the opposite direction



Put in Bottom Rivets

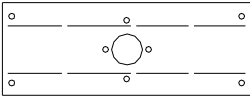


**DO NOT** place top rivets in at this time

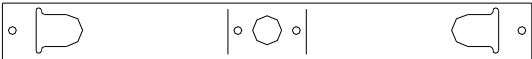


# Rear Frame Support and tow Hitch Receiver

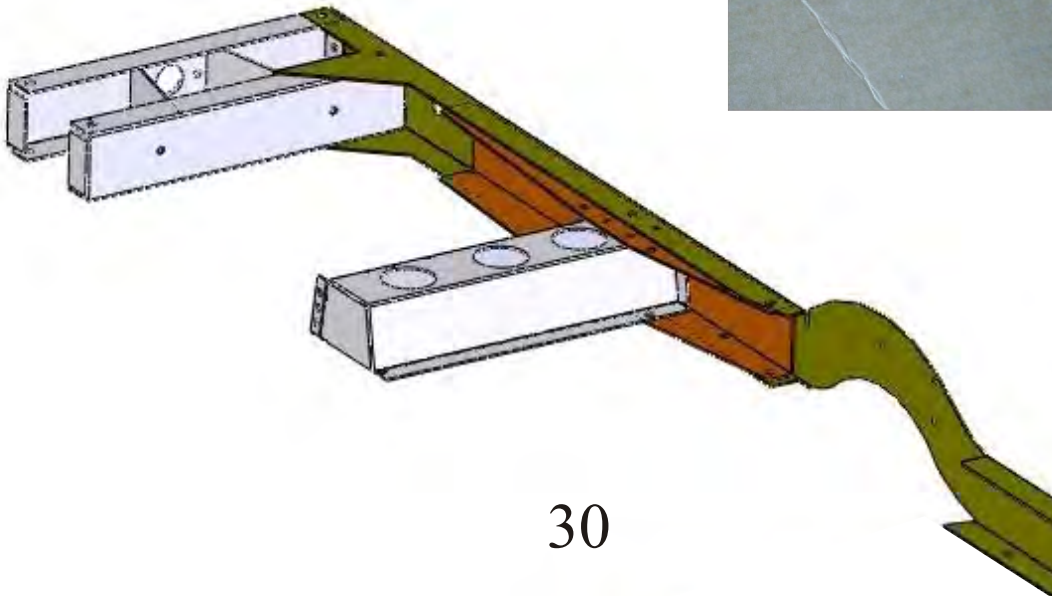
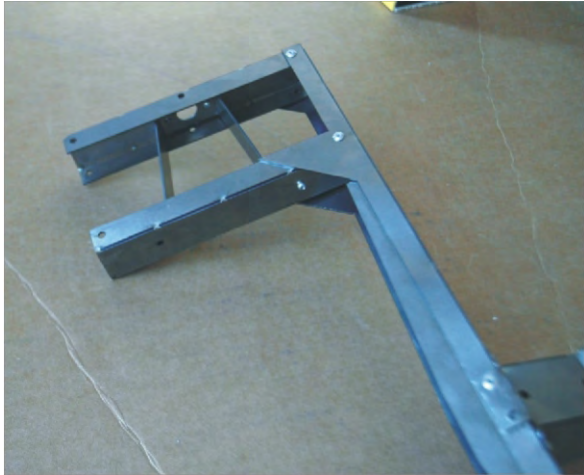
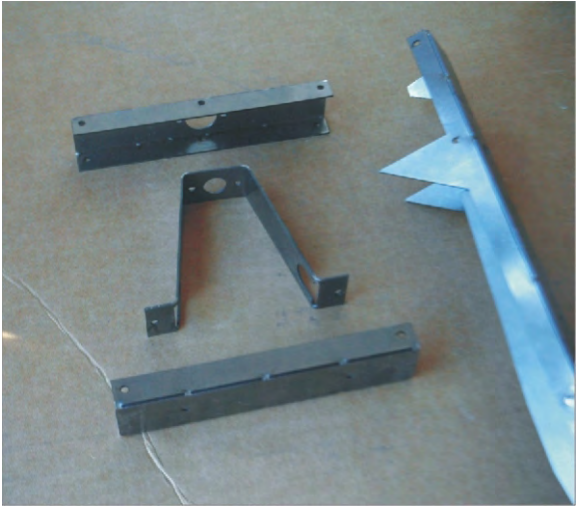
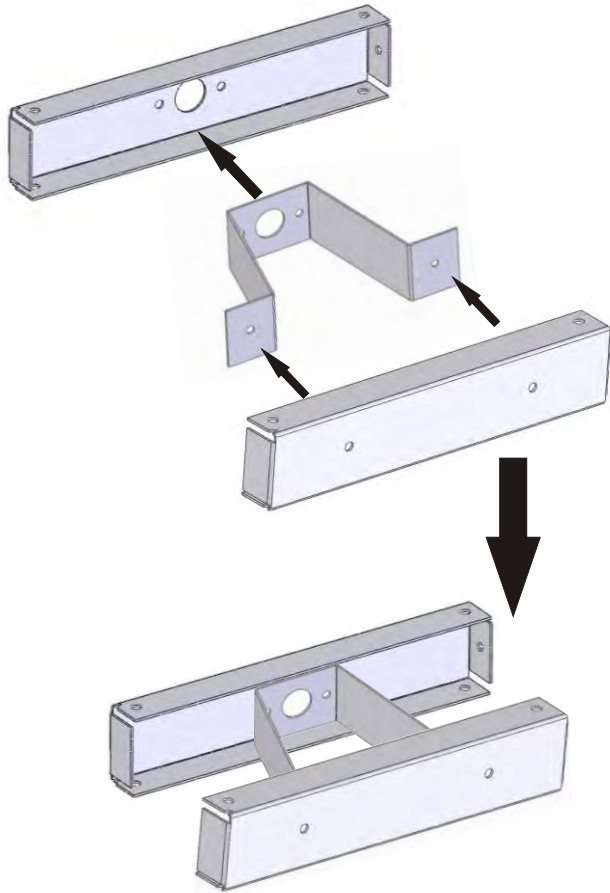
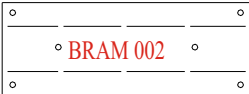
BRAM 021



BRAM 045

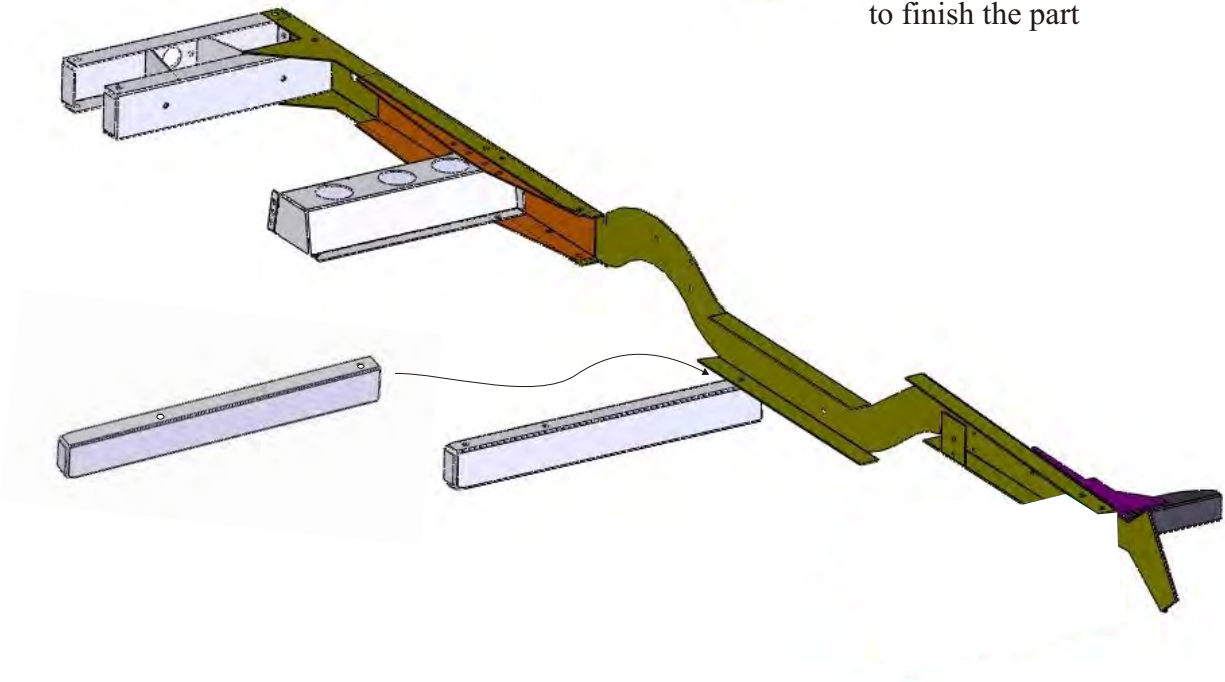
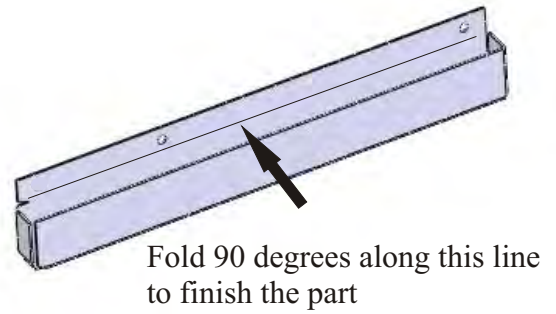
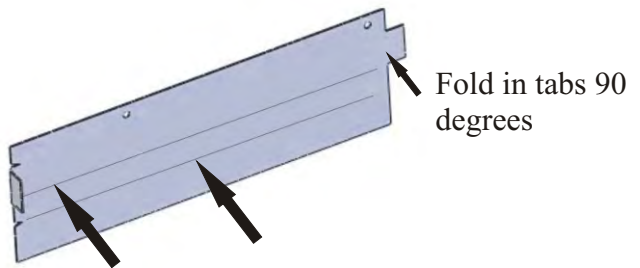
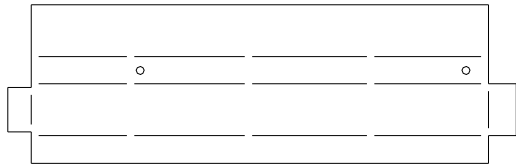


BRAM 002

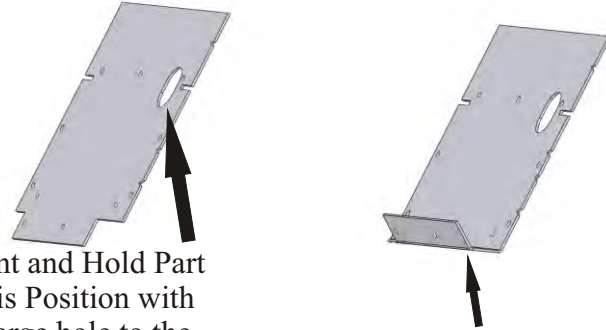
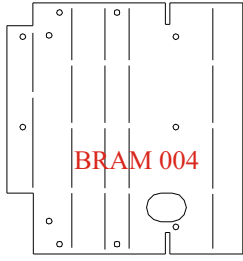


# Transmission Cross Brace

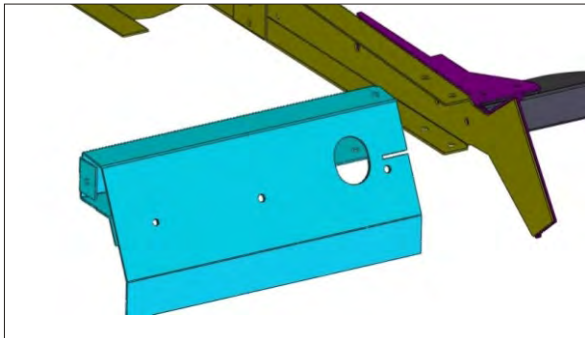
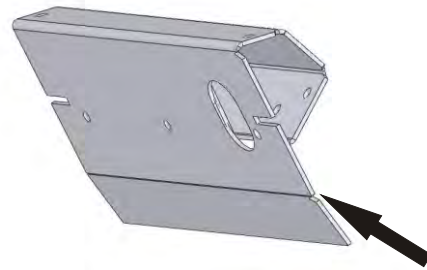
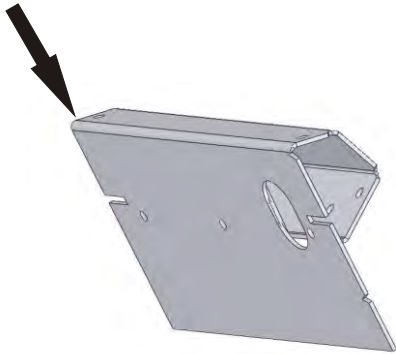
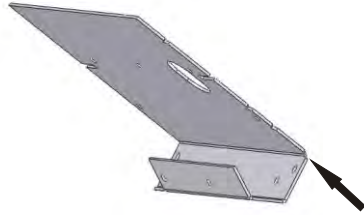
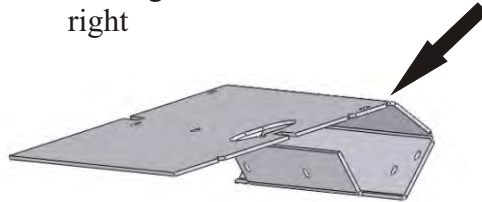
BRAM 019



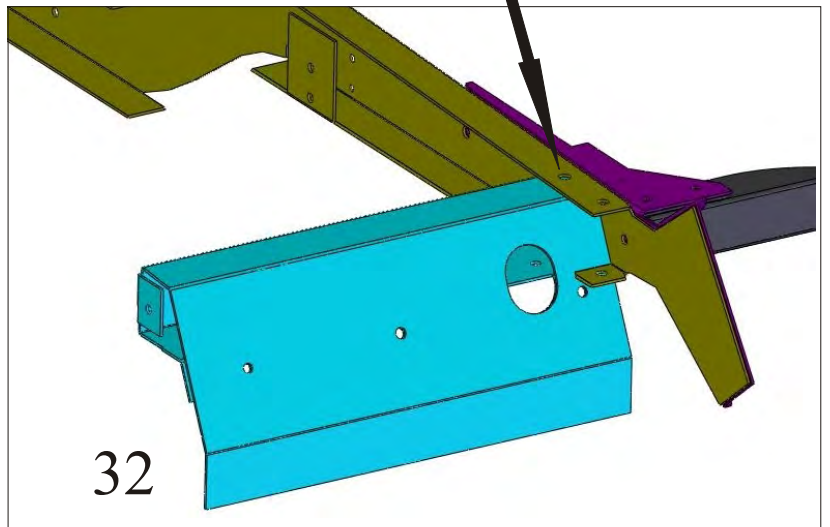
# Front end Shield



Orient and Hold Part  
in this Position with  
the large hole to the  
right



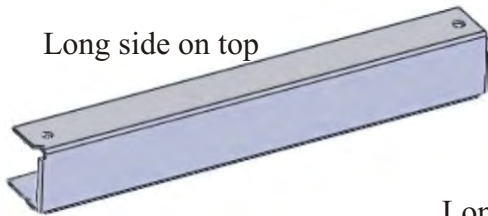
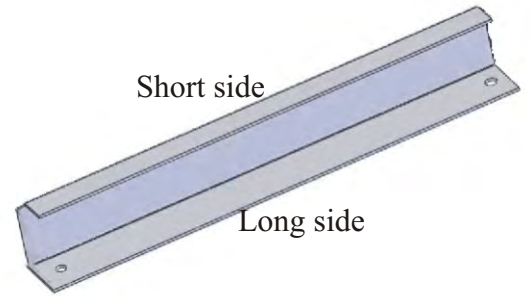
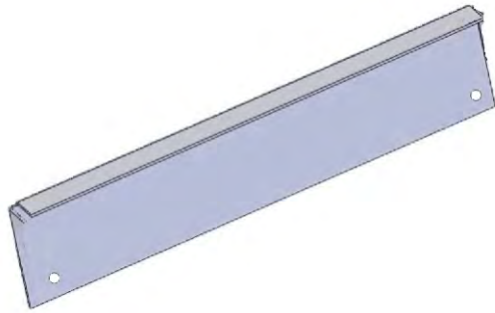
This part rivets into the second  
rivet hole counting back  
from the front



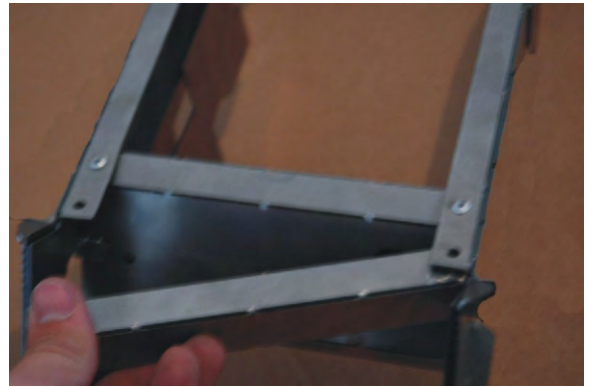


# Front Frame Brace

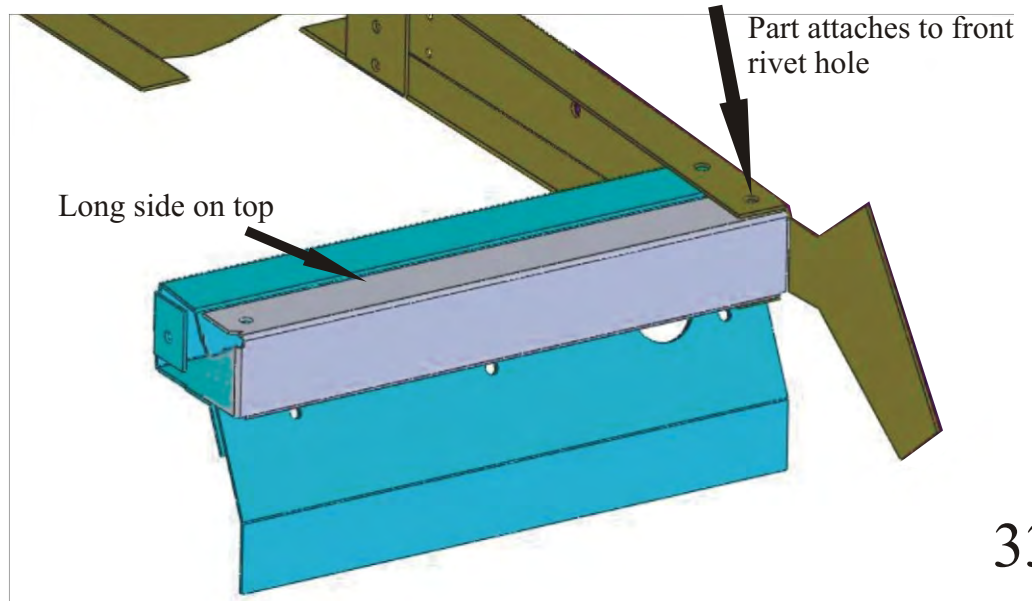
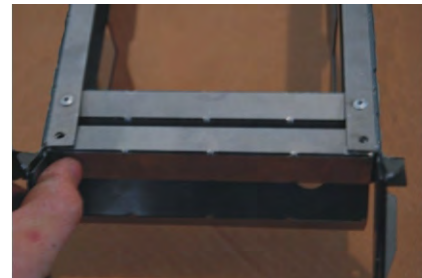
BRAM 009



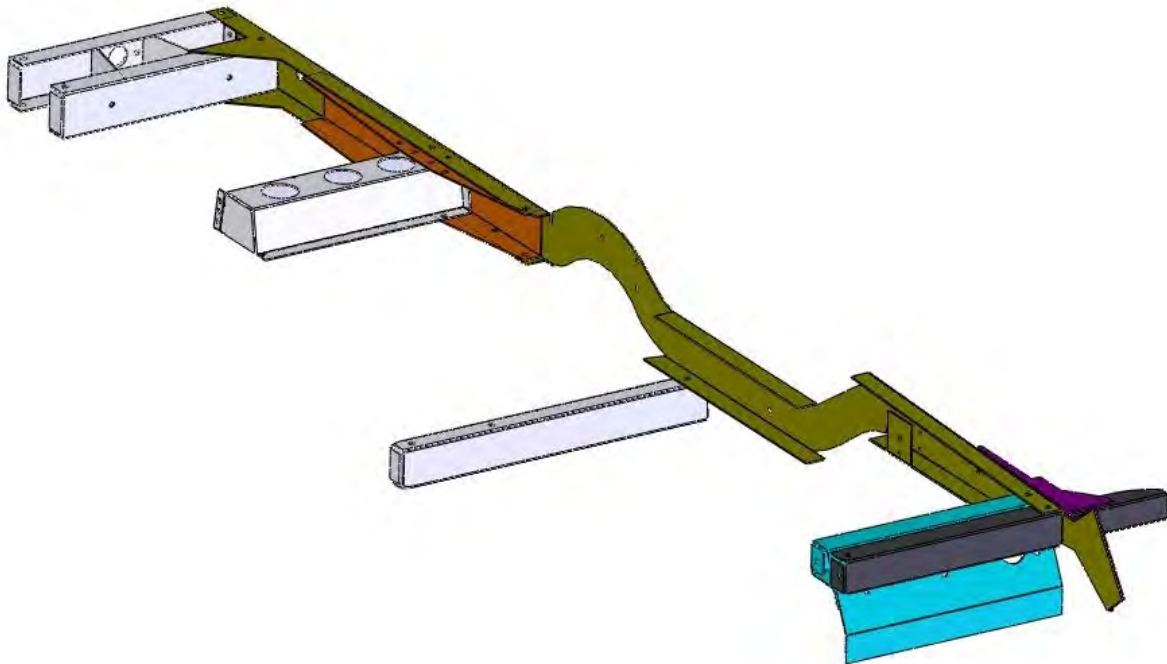
Long side on top



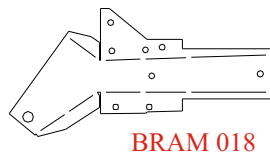
Orient the piece so that the Short side is on the bottom



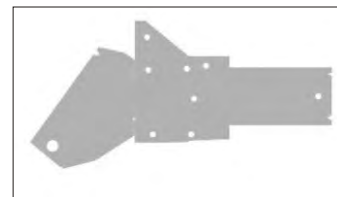
All the frame braces are in place. You can attach the other side rail at this point,



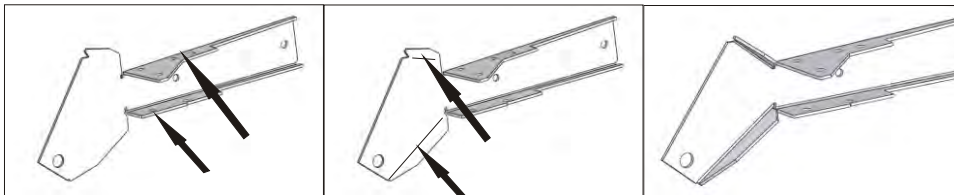
## Front Bumper and Roller Support



BRAM 018



Orient the part to face like above



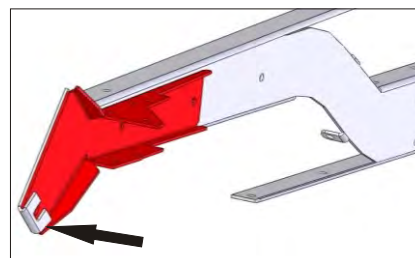
Bend these tabs over 90 degrees towards you

Next, bend these tabs over 90 degrees again toward you

Finished Part



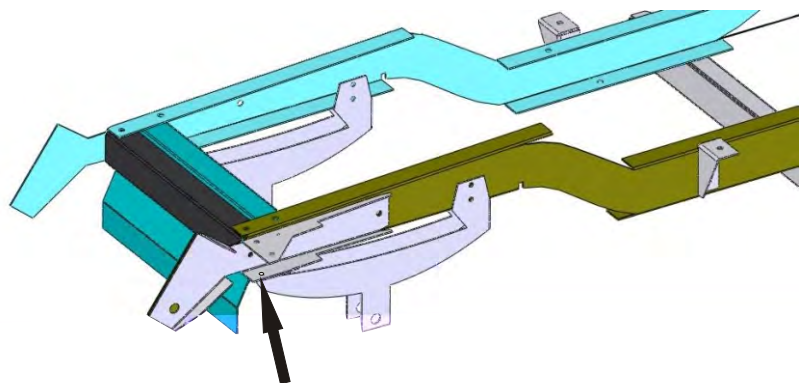
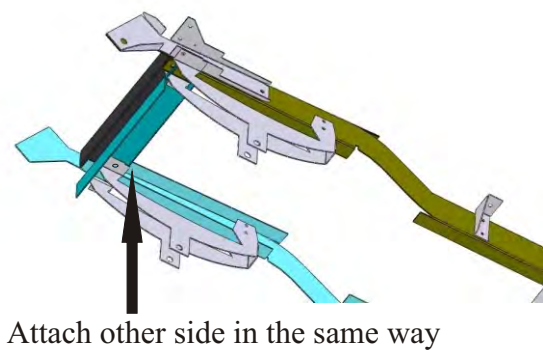
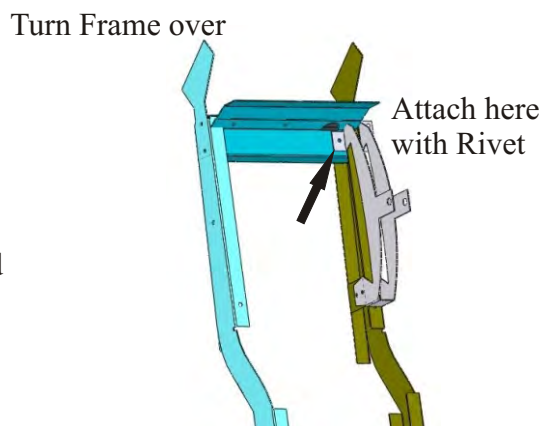
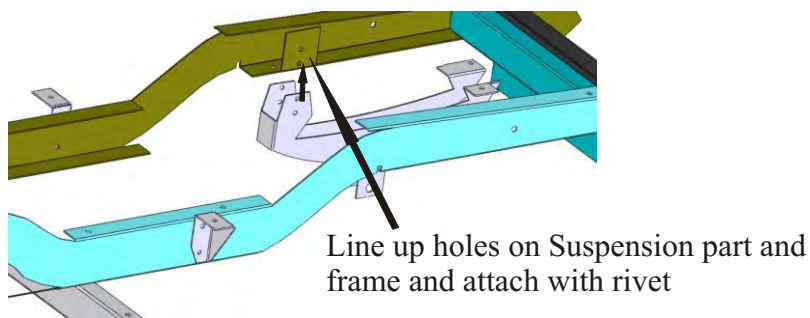
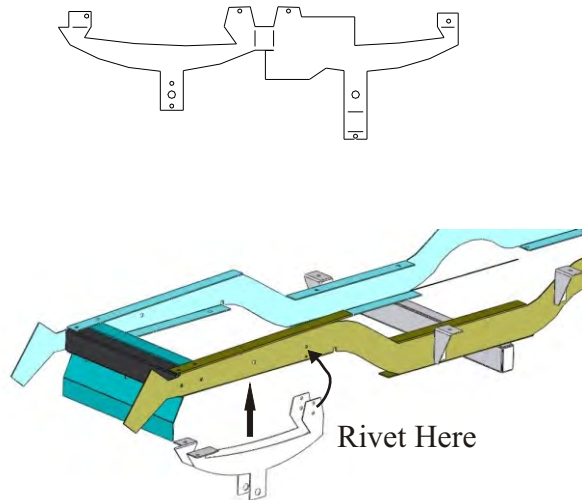
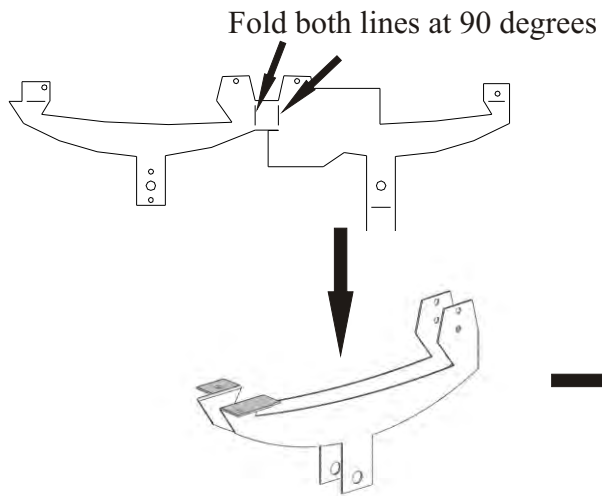
Put part on frame and rivet into place



Bend the small tab on the frame all the way around to capture and secure the brace

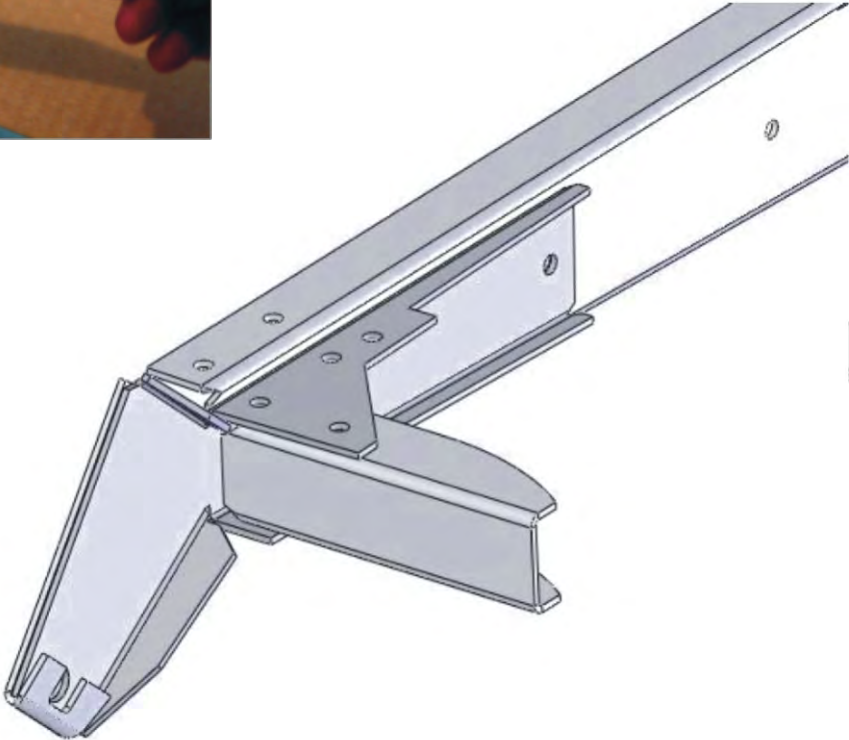
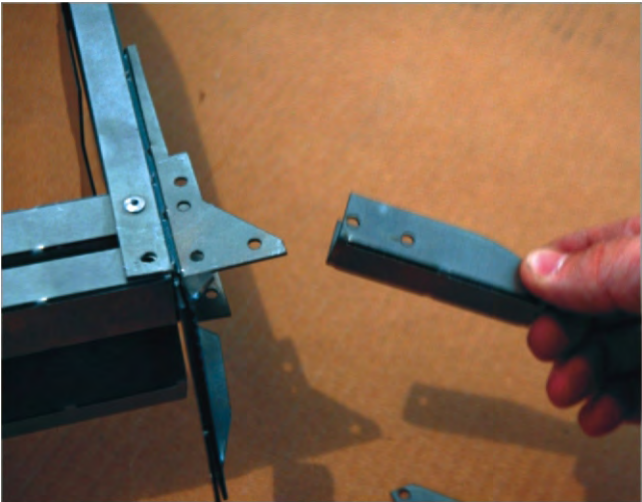
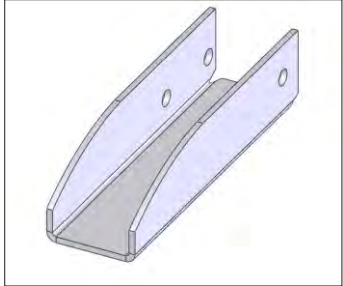
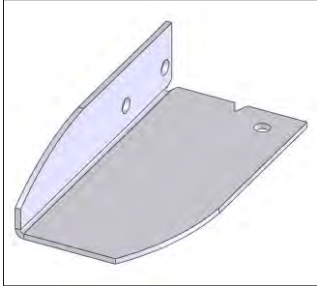
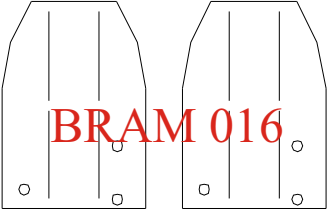
# Front Suspension

BRAM 010

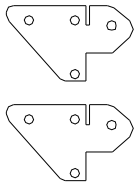


35 Rivet the Front Suspension piece to the front roller support bar

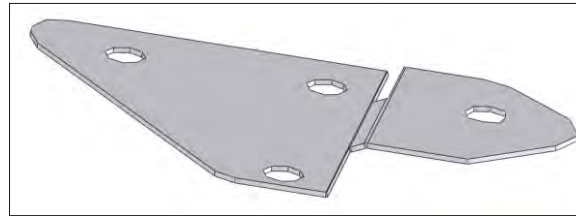
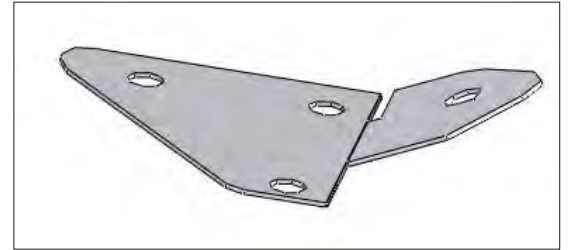
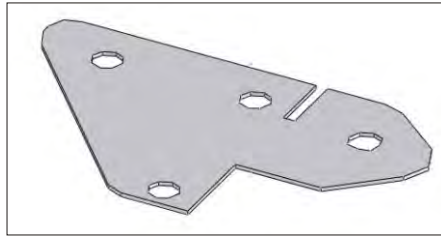
# Front bumper Arm



# Tow Hook and Bumper Brace Plate

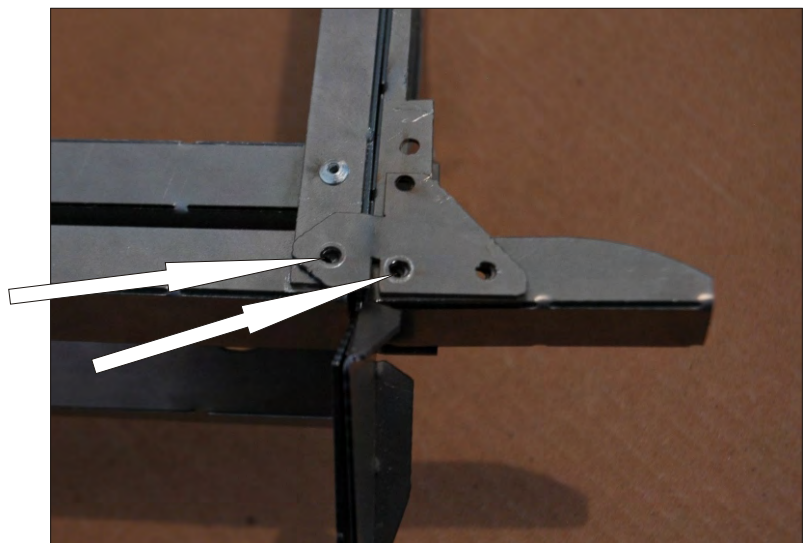


BRAM 015

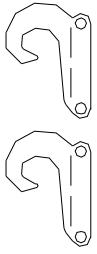


Place part on frame

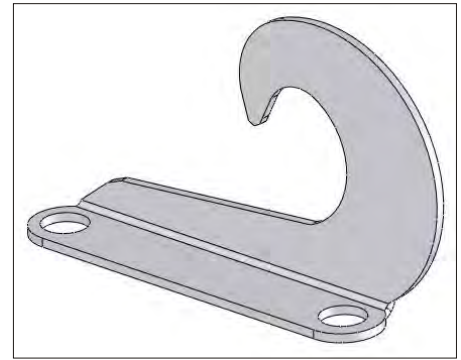
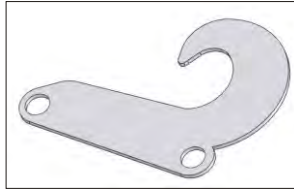
Rivet in these two  
holes only



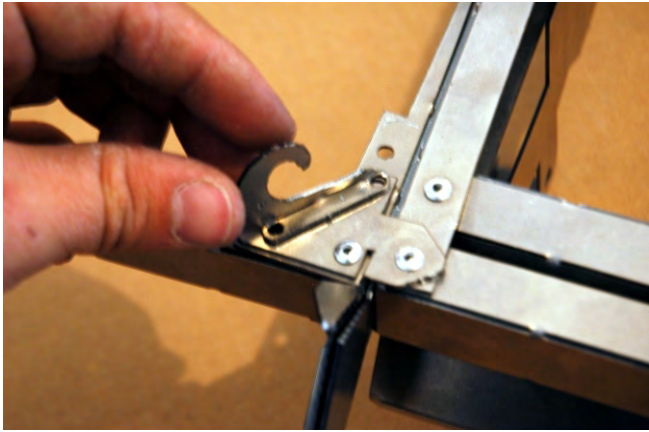
# Front Tow Hooks



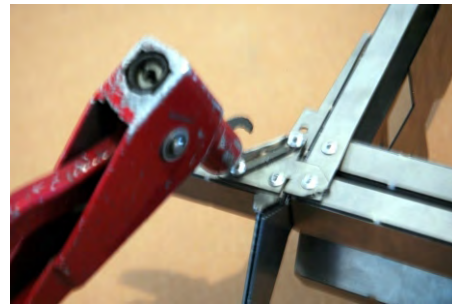
BRAM 011



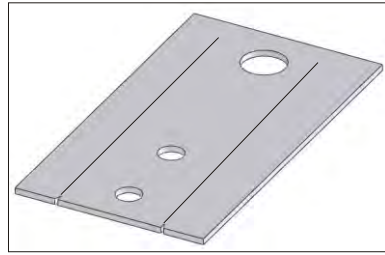
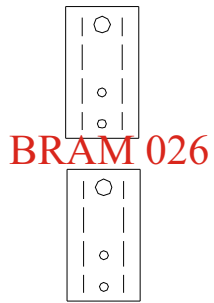
Bend up 90 degrees at line



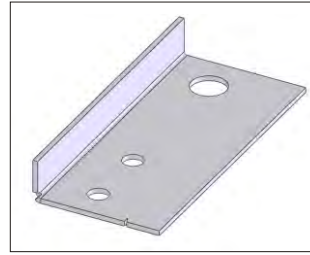
Place hook on frame and Rivet in place



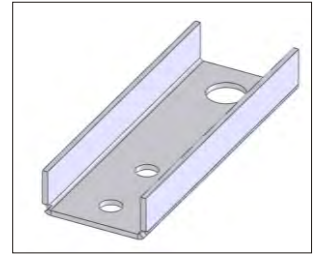
# Drive Axle Bracket



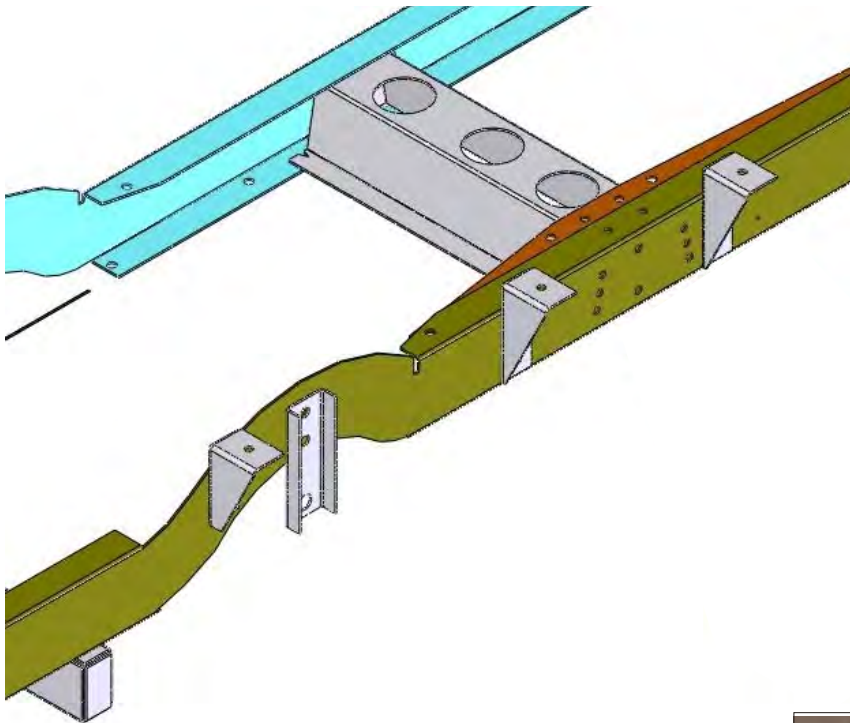
Orient Part as above



Bend up first side



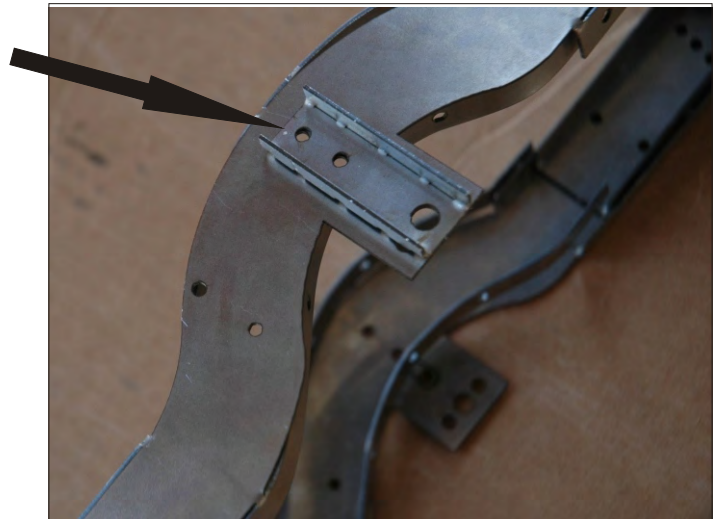
Bend up final side



Orient frame and Rivet Part onto frame

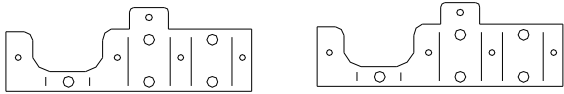


Rivet Here

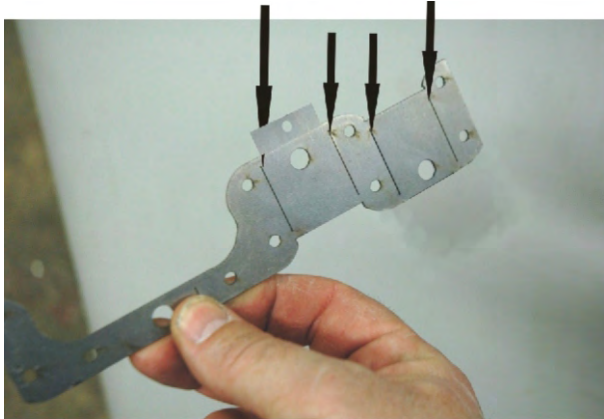


# Rear Idler Swivel and Axle Assembly

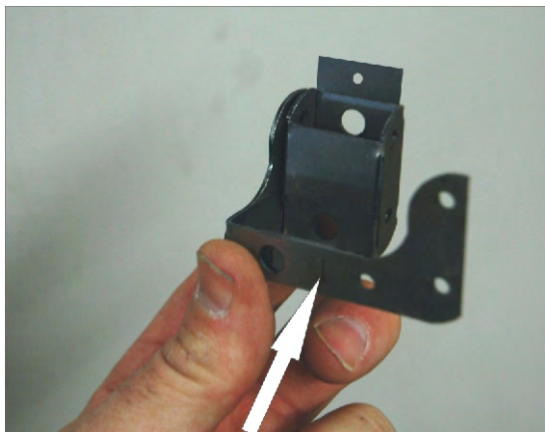
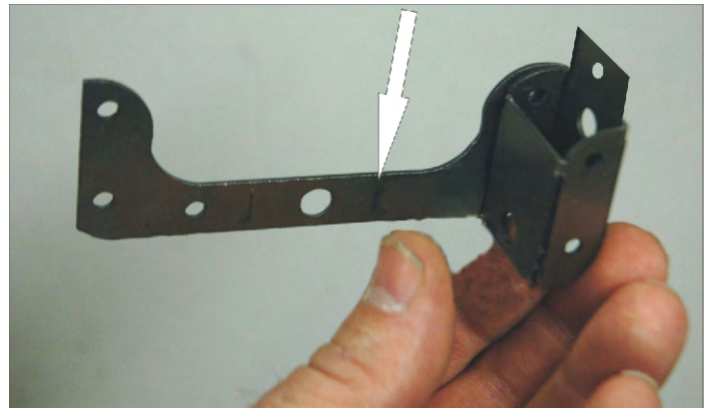
BRAM 008



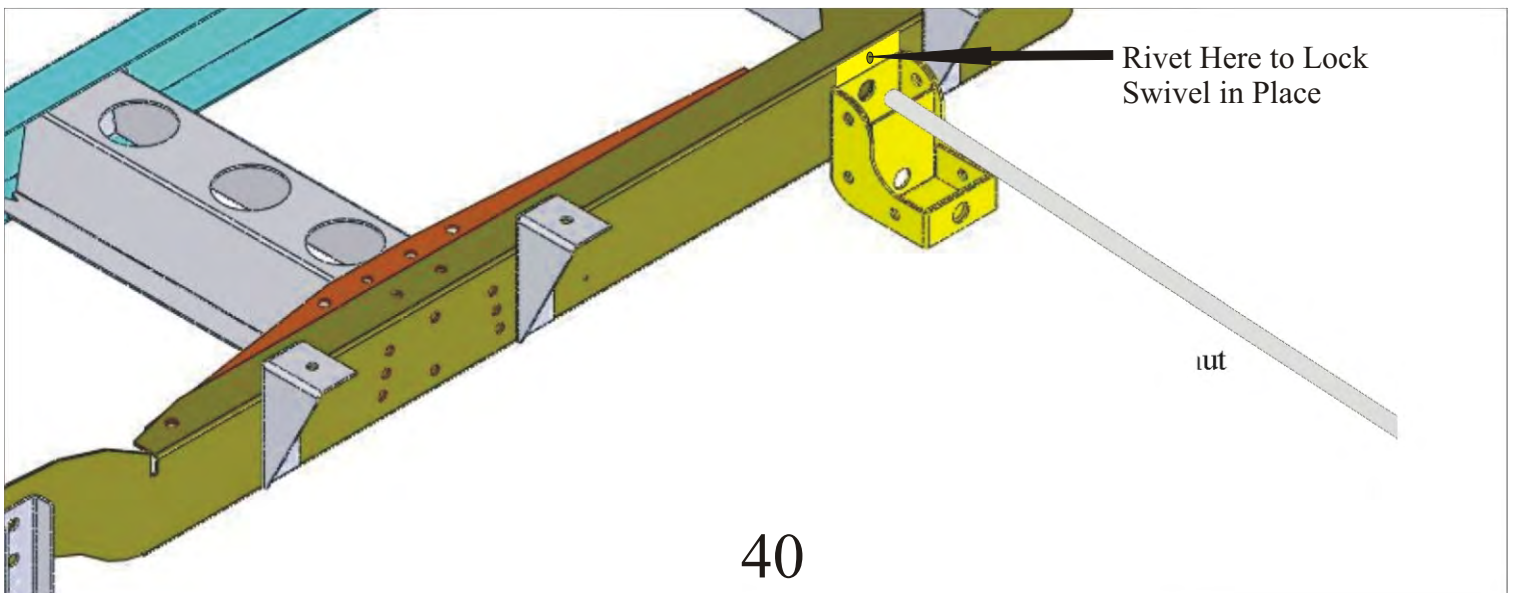
Bend each line forward at 90 degrees



Bend on this line 90 degrees

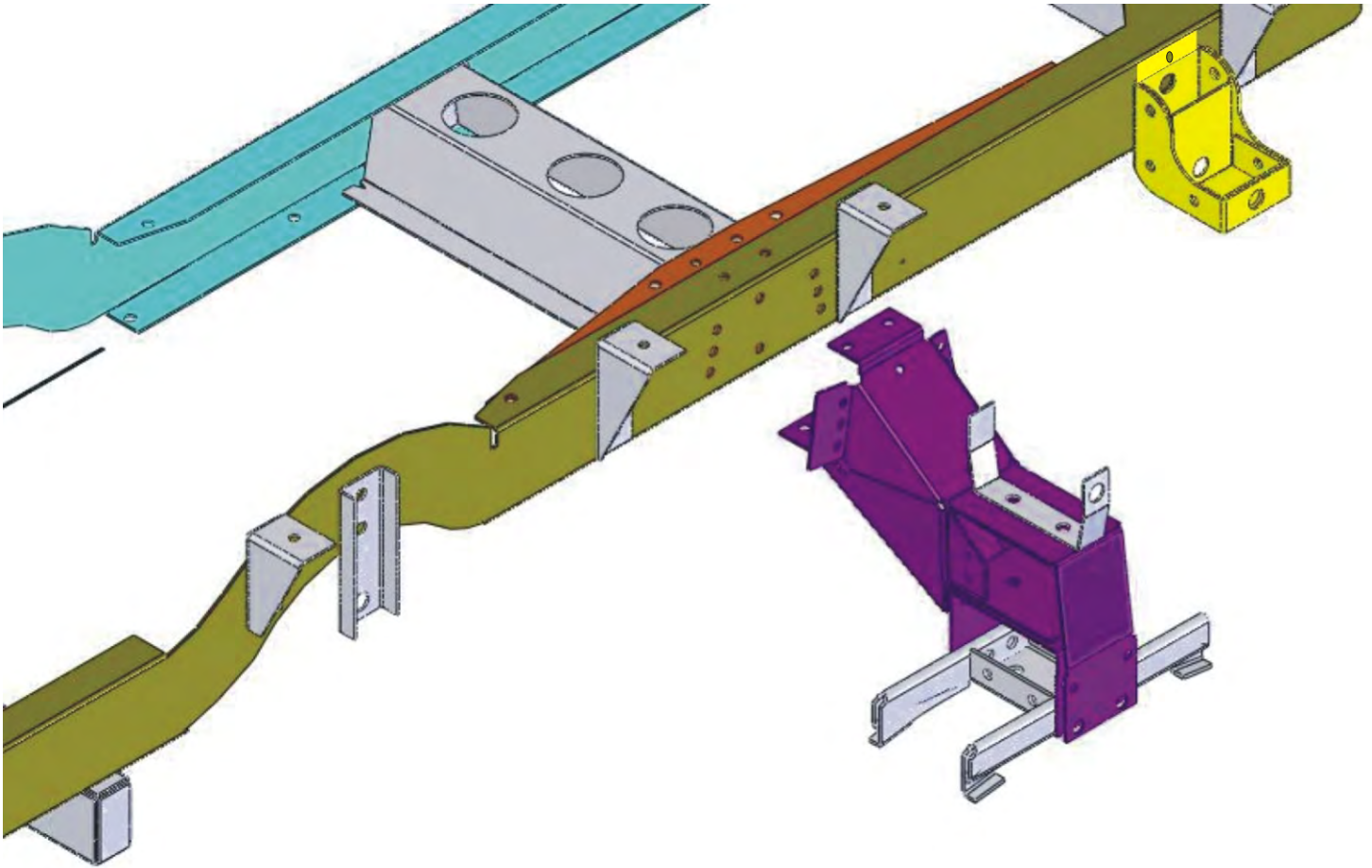


Bend on this line 90 degrees





# Attach finished Suspension Block to Frame

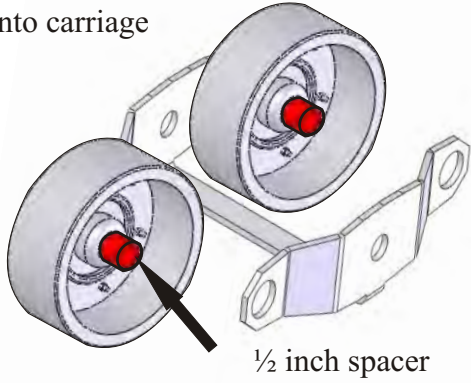


Attach ONE side only

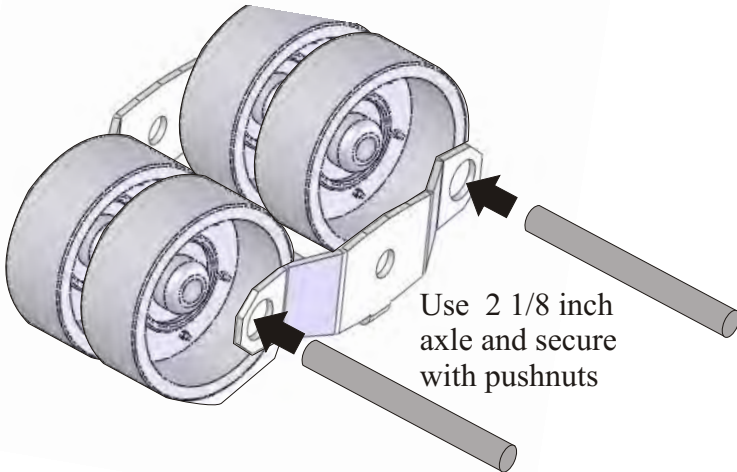
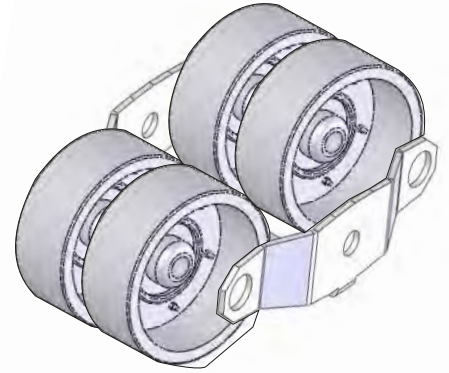
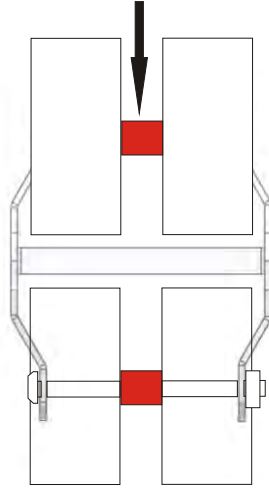


# Bogie wheels

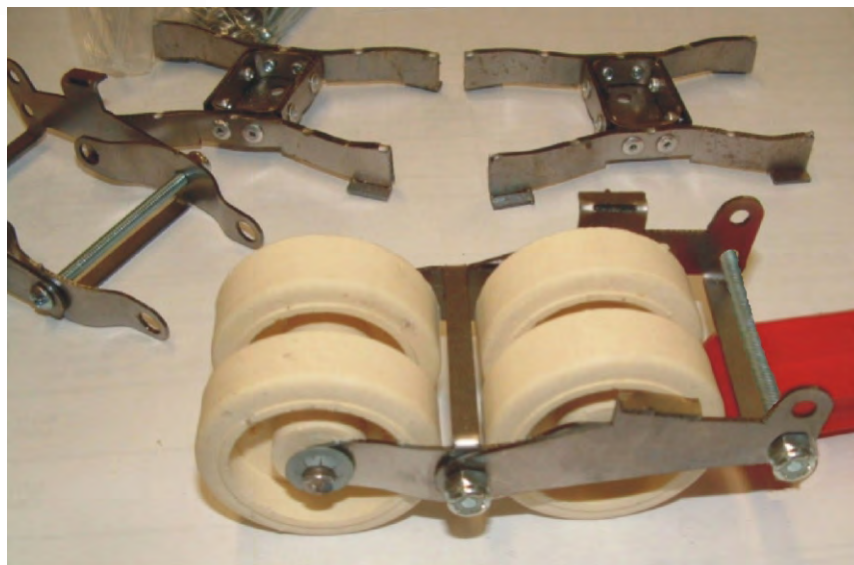
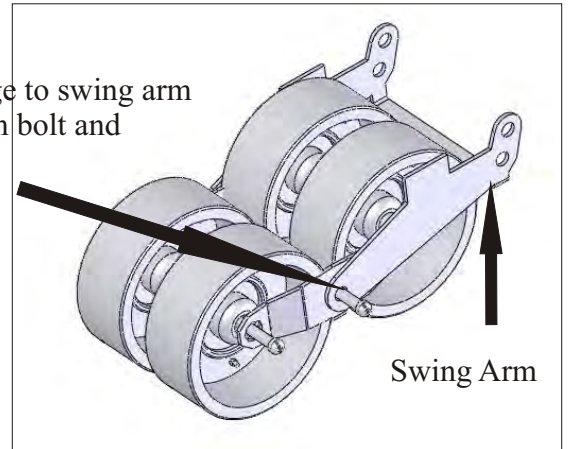
Take four road wheels and place a 1/2 inch spacer between them and set into carriage



Spacer

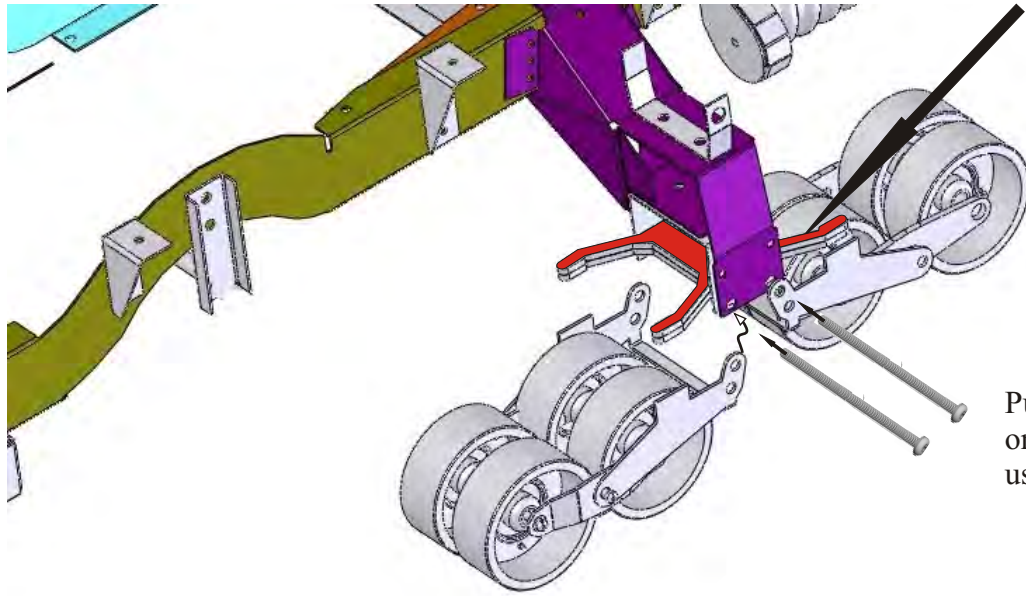


Attach carriage to swing arm using 2 1/2 inch bolt and locknut



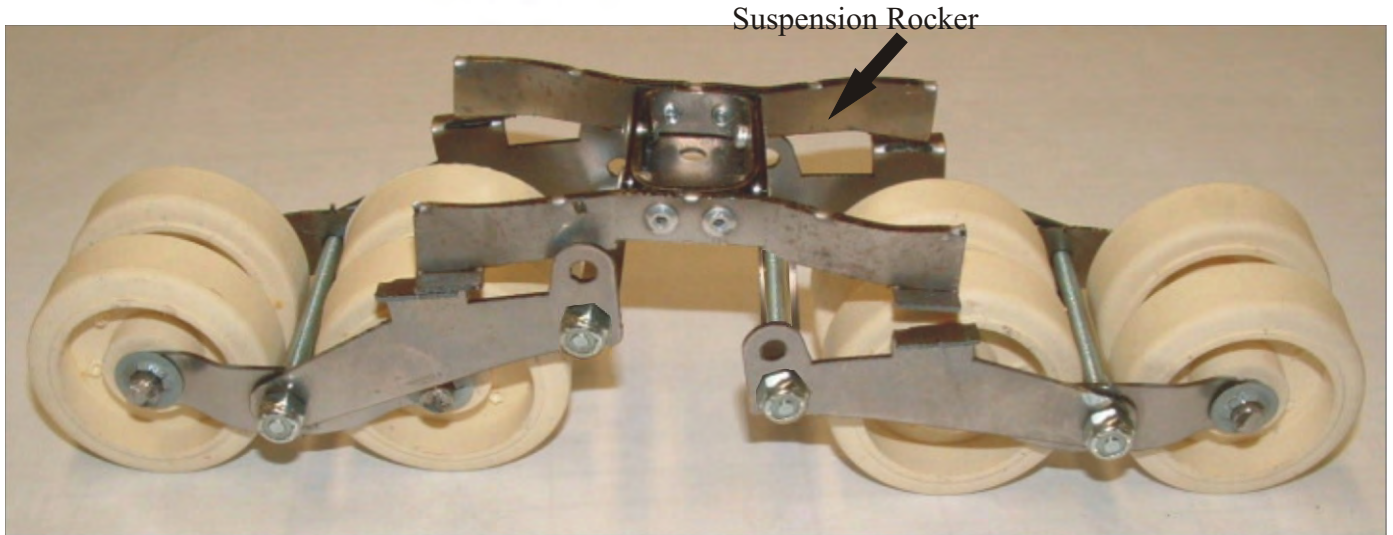
Make left and right assemblies

Locknuts should face outward.

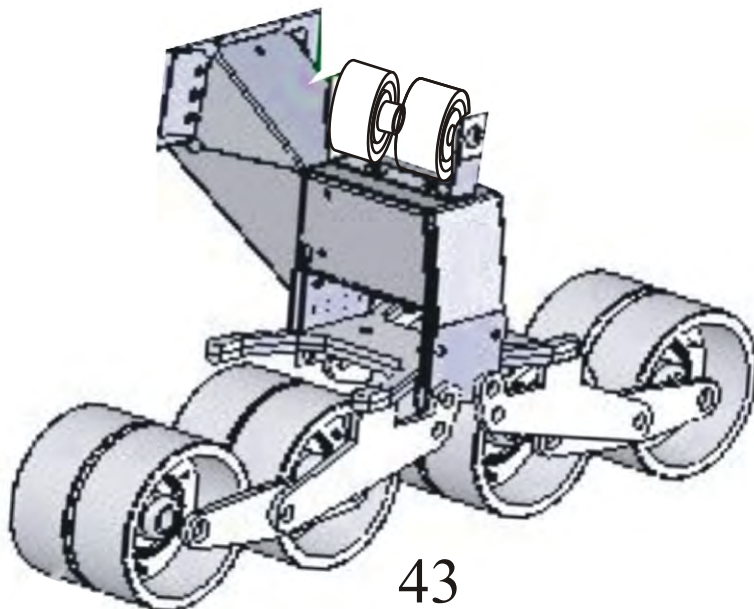


Place the suspension rocker up into the Suspension Block and attach swing arm Roadwheel assembly

Put the Roadwheel assembly onto the Suspension block using 2 1/2 inch screws

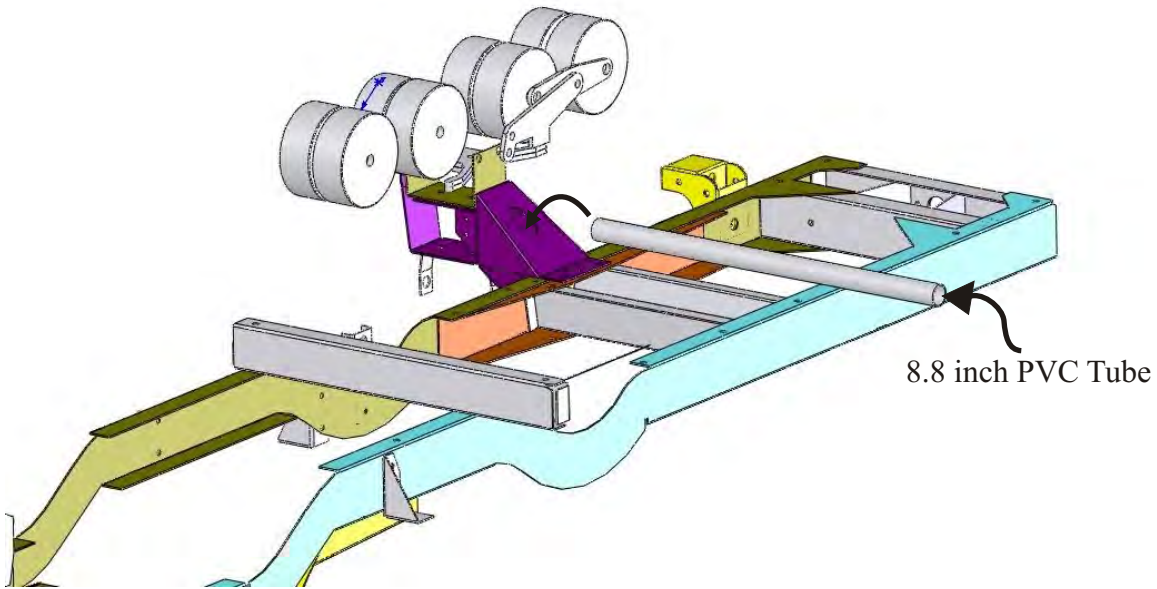


Suspension Rocker

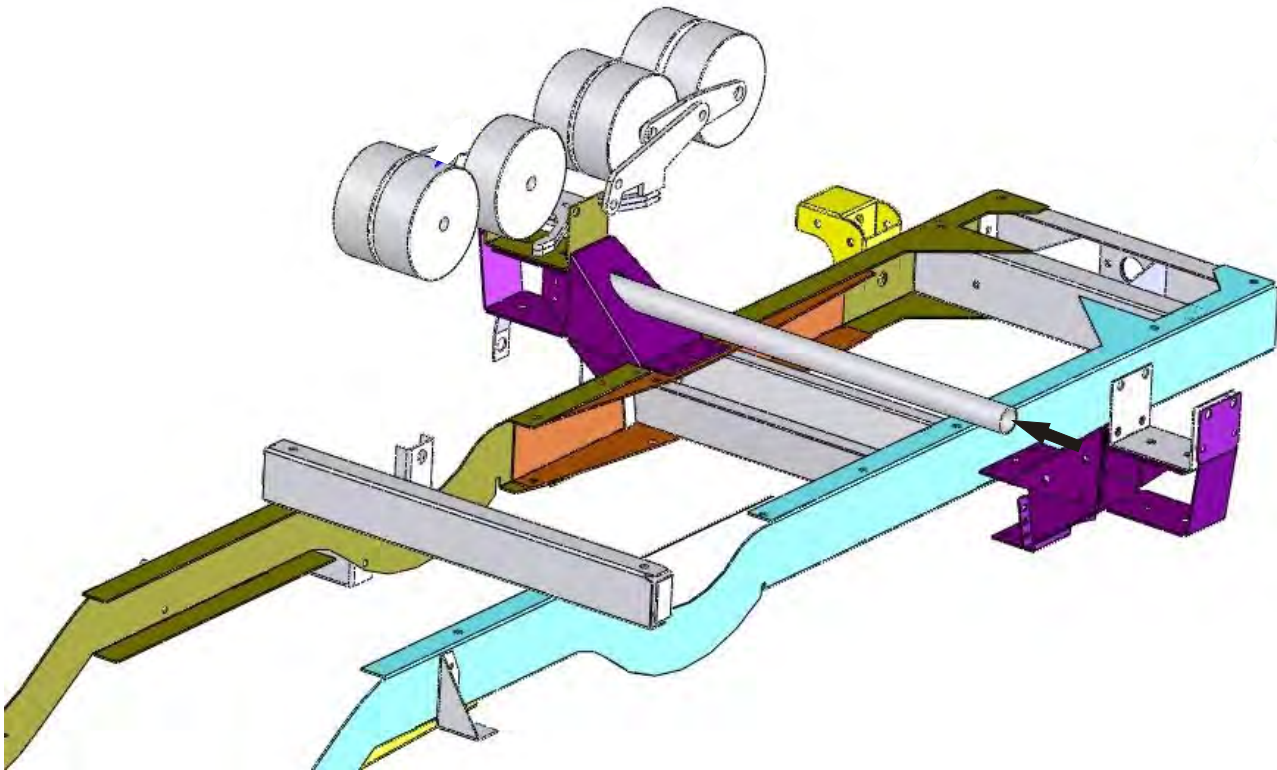


# Slide in Cross brace and Attach opposite Side Suspension Block

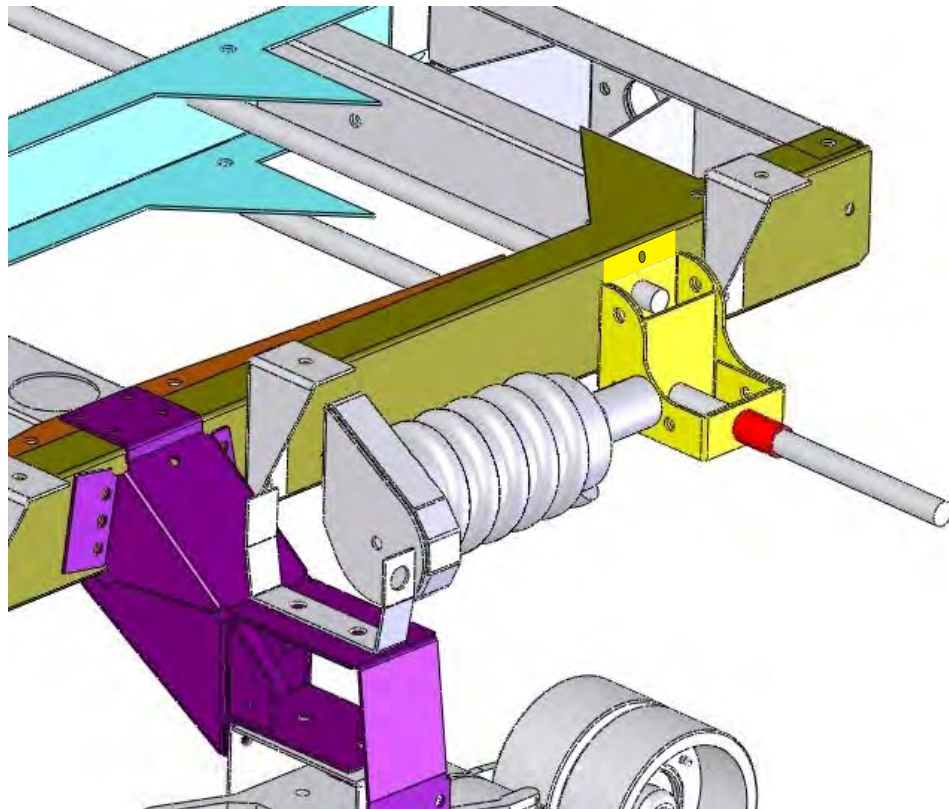
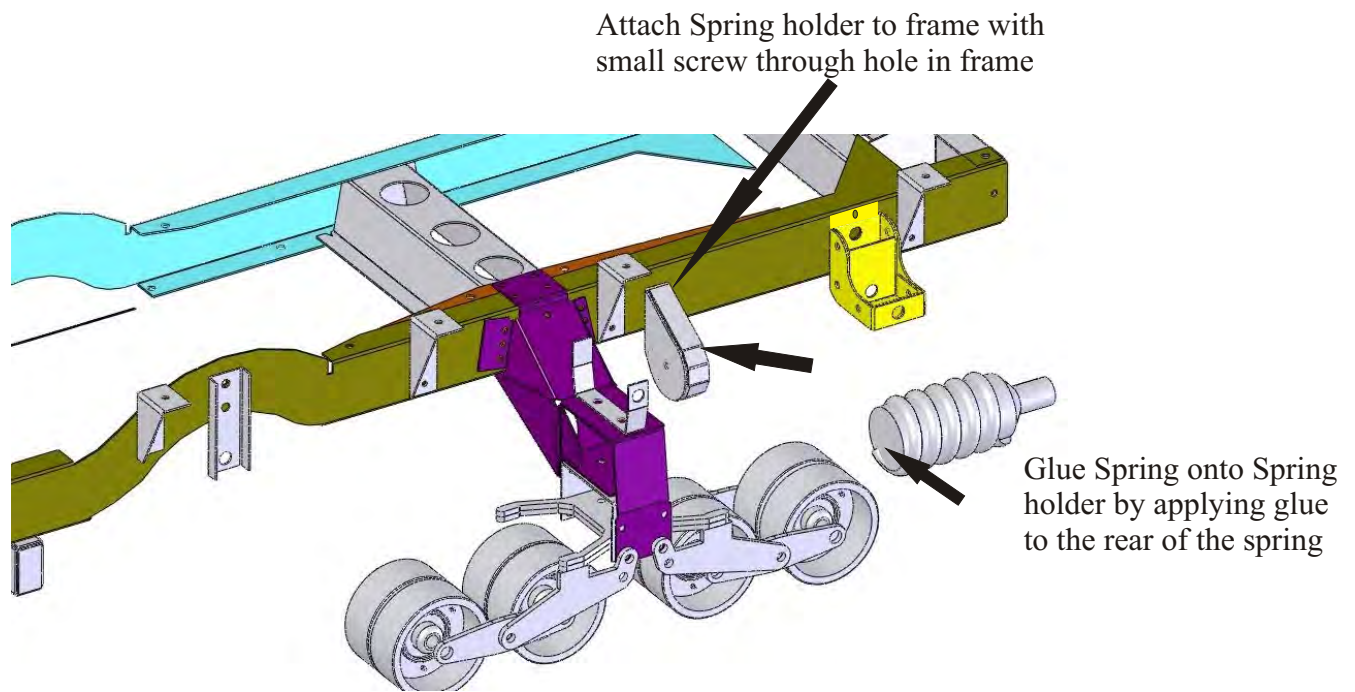
Cross Brace



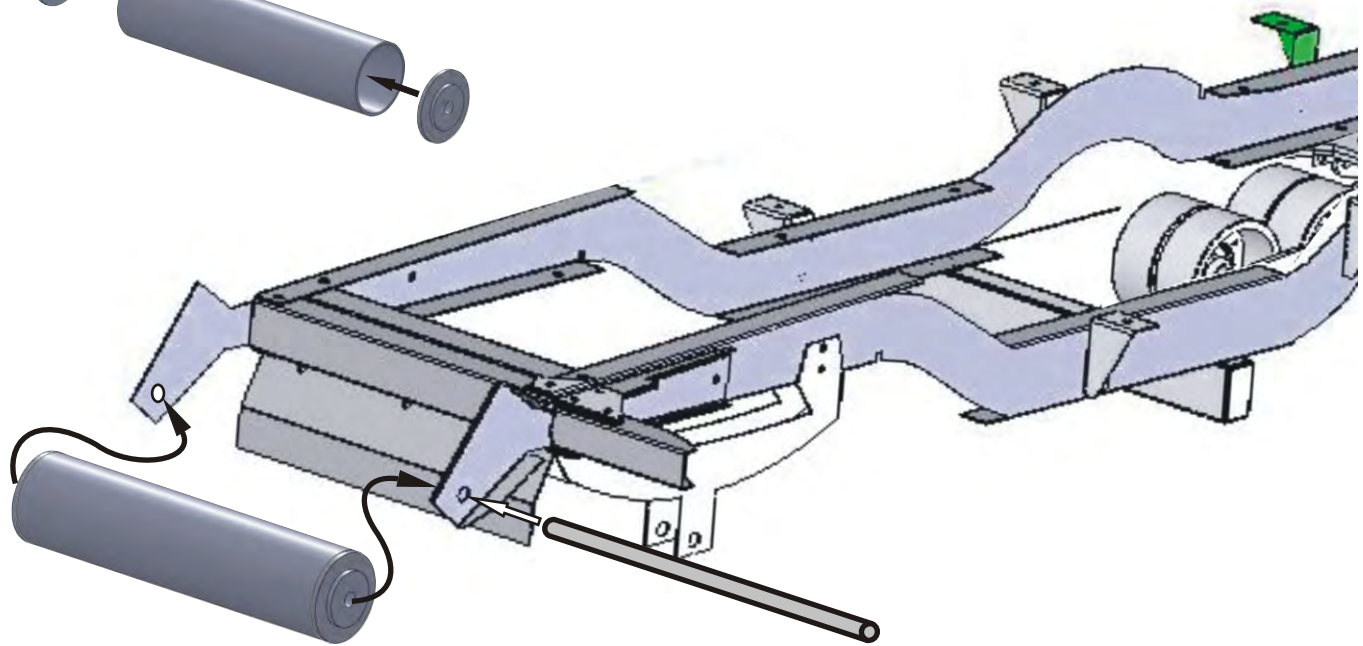
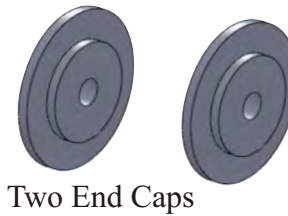
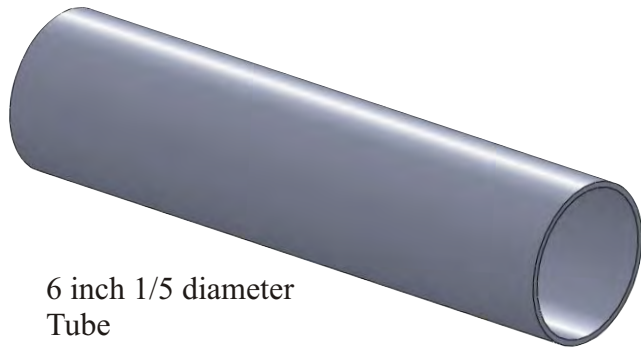
8.8 inch PVC Tube



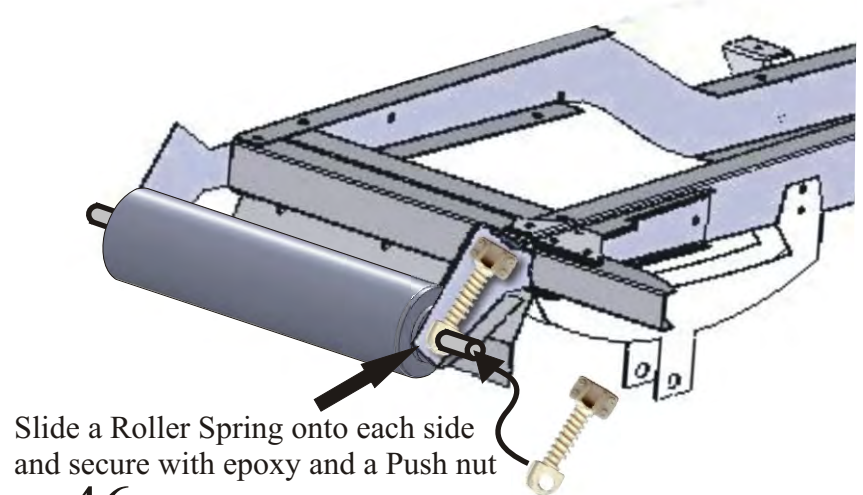
# Idler spring



# Front Roller Assembly

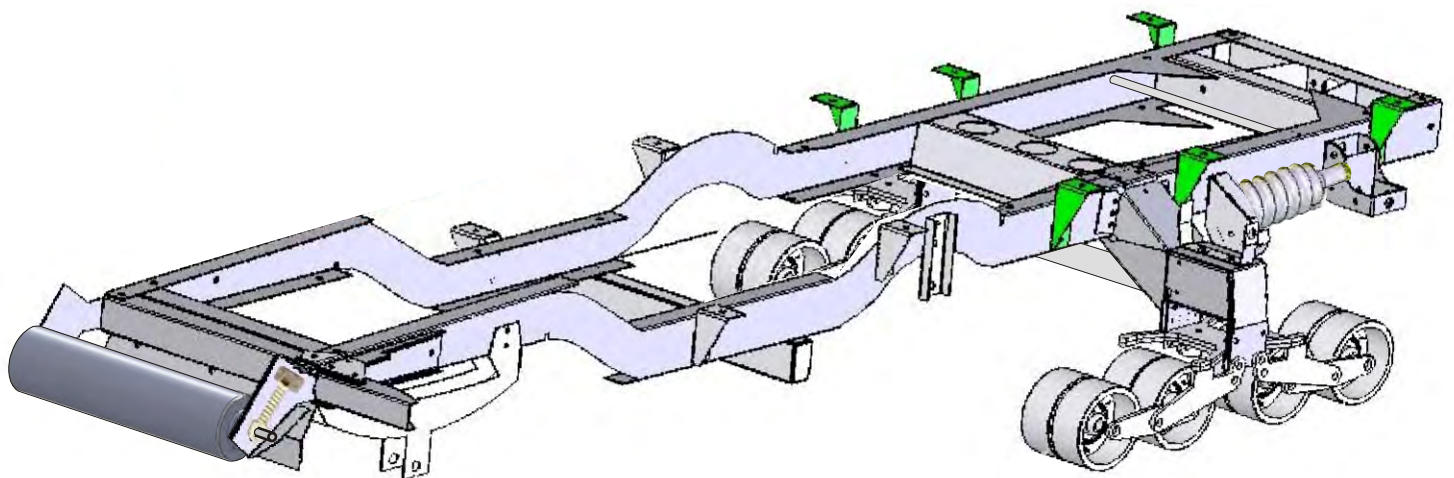


Put Front Roller into place and insert Front Roller Axle thru all to secure.

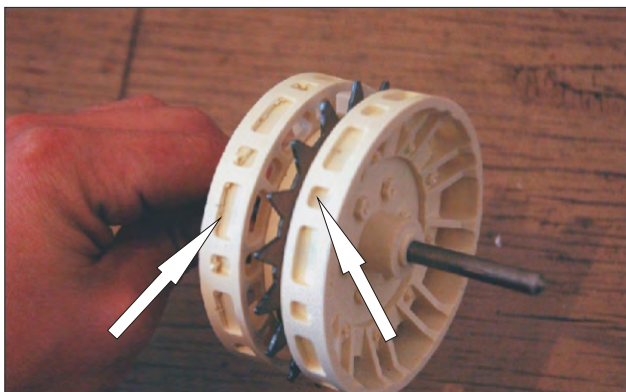
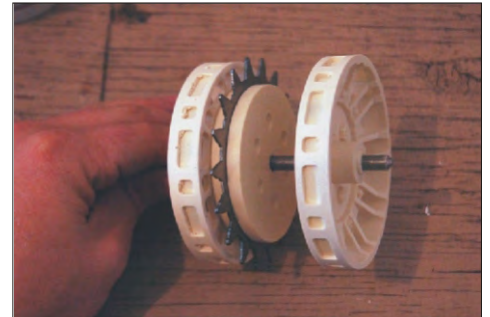
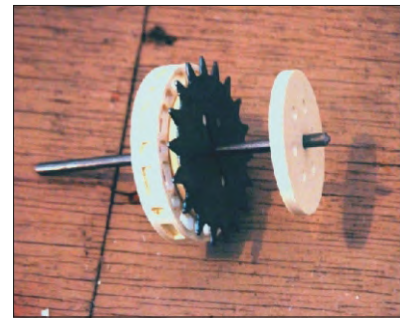
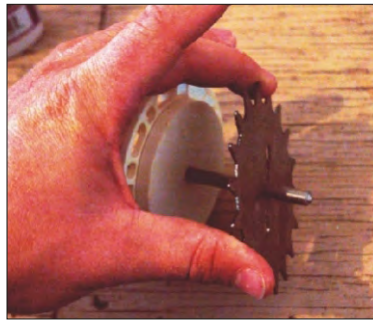
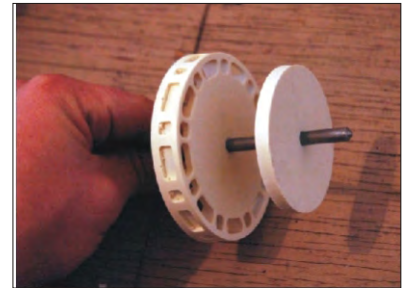
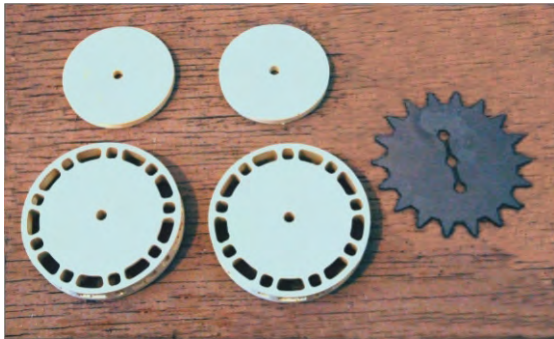


# Finished Frame

(Some duplicate parts not shown)



# Drive Gear Assembly

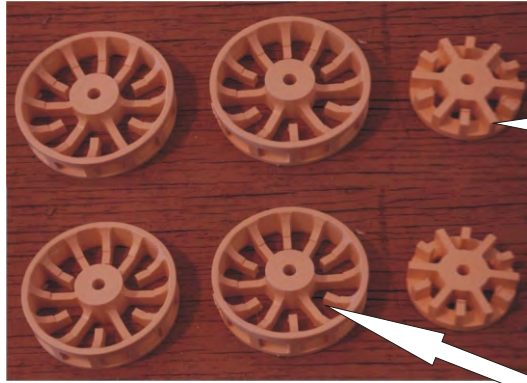


For a more realistic look cut out the webbing in the holes of the wheels. The resin here has purposely been left thin.





# Rear Idler Wheel

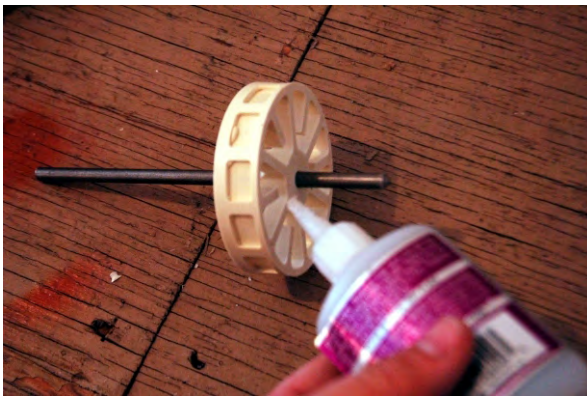


Make two idler wheel assemblies

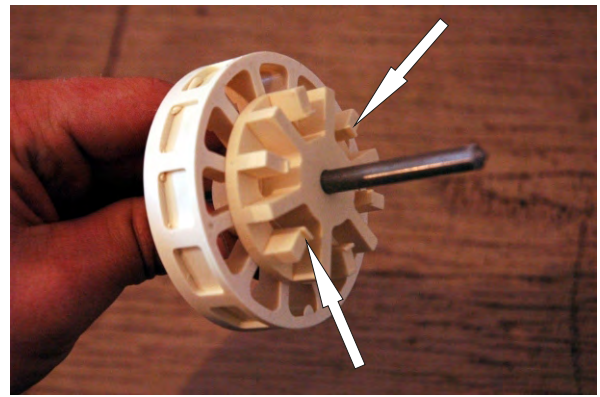
Inner Hub

Outer Wheel

Small tabs line up with Spokes on the Wheel

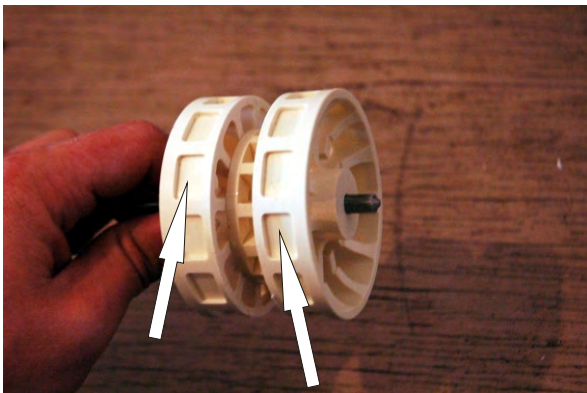


Apply glue to spokes of one wheel. Keep Glue closer to the center since the inner hub is smaller than the wheel

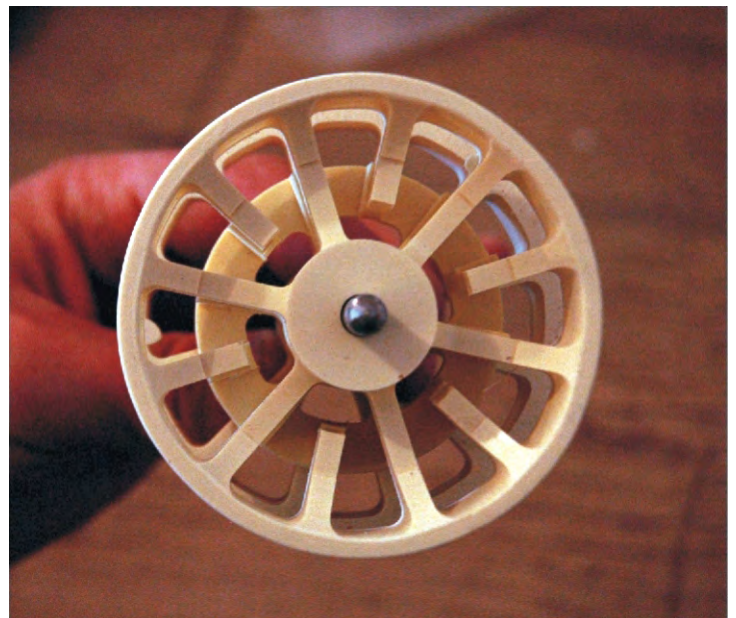


Place inner hub as shown. Make sure to line up spokes from the inner hub with the wheel spokes

Apply glue to inner hub spokes and attach the other wheel making sure to line up the spokes



For a more realistic look cut out the webbing in the holes of the wheels. The resin here has purposely been left thin.



# Front tires



Off set the Lugs in the tires so that they have a staggerd pattern



Without applying glue insert the inner hub into the tire. Seat the hub flush with the tires inner ridge.

Apply 4-5 drops of glue onto the rim and spokes of the hub and onto the inner tire ridge



**HINT:** Use one of the short axles to line up the inner and outer hubs before and when you glue them together

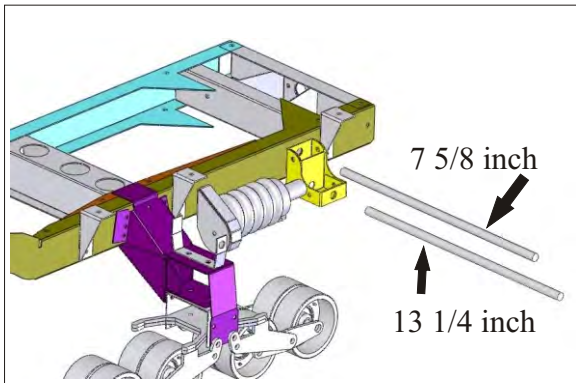
Place the outer hub into the tire ridge.

IF inner and outer hubs axle holes don't line up perfectly simply run a 1/4 inch drill through to create the proper clearance.

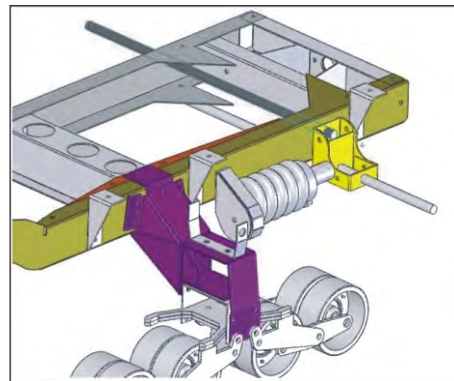


# Axles

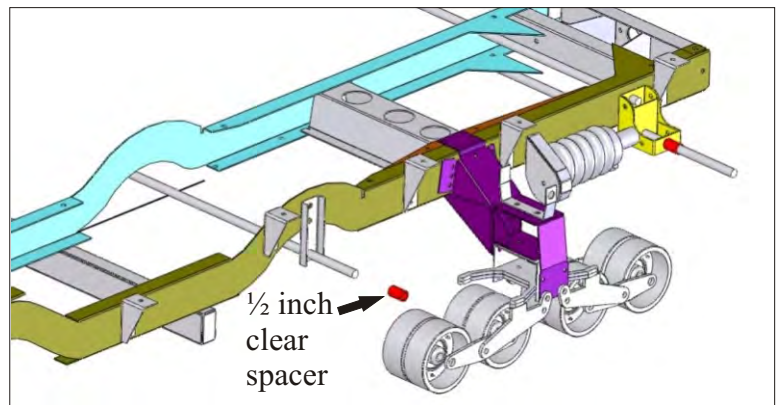
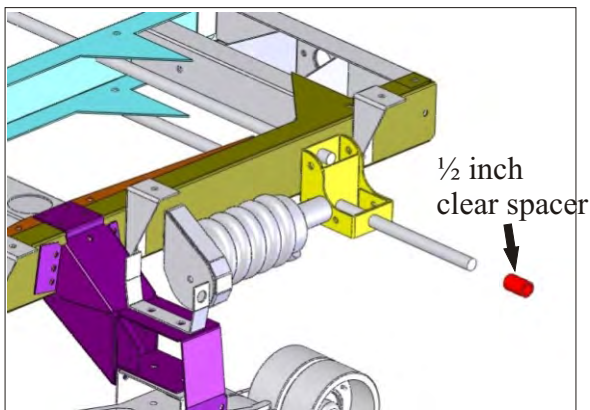
Use Back Idler Pivot 7 5/8 inch axle and the 13 1/4 inch Back Idler Wheel Axle



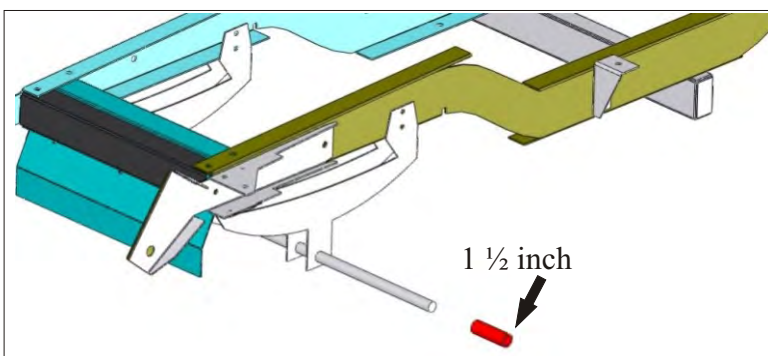
Put the 7 5/8 inch axle through the top and the 13 1/4 inch axle through the bottom. Secure both with Pushnuts



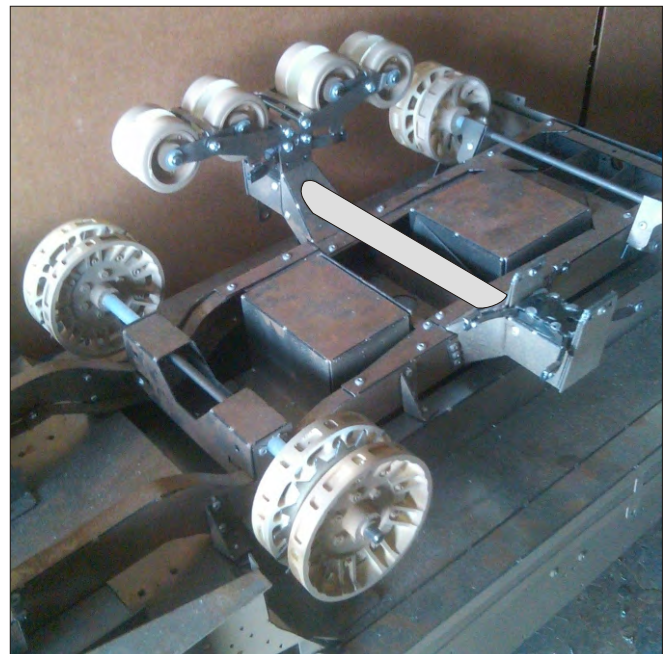
Slide on a 1/2 inch clear spacer



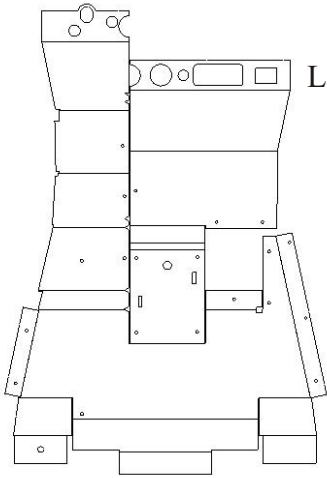
Slide on a 1/2 inch clear spacer



Slide on a 1 1/2 inch clear spacer

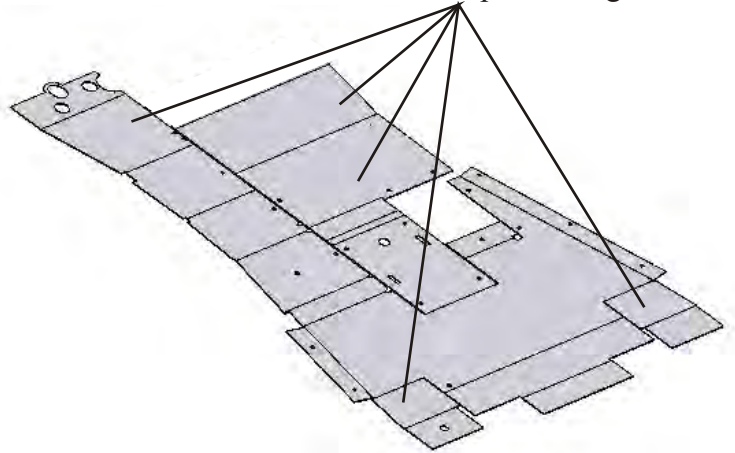


# Front Floor and Dashboard

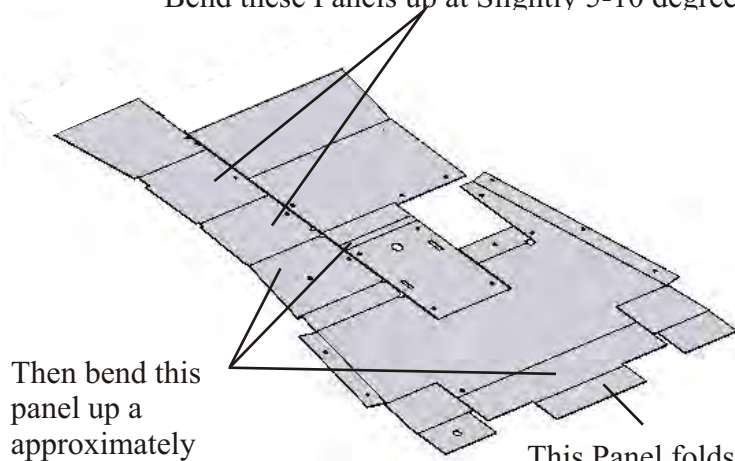


Lay front floor metal flat as shown at left

Bend these Panels up at 90 degrees



Bend these Panels up at Slightly 5-10 degrees

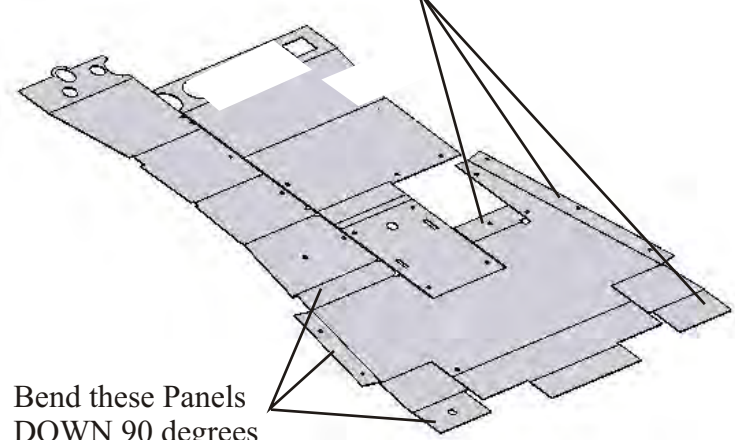


Then bend this panel up a approximately 90 degrees

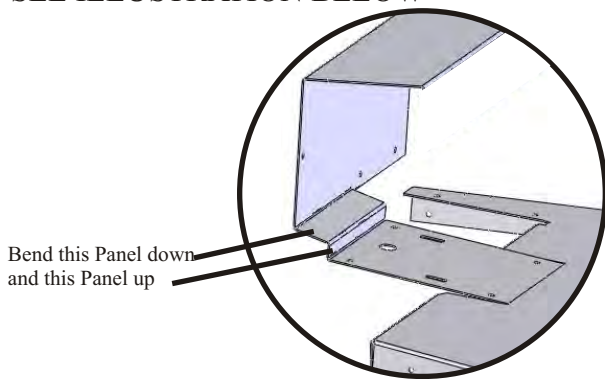
This Panel folds 180 degrees back onto itself

SEE ILLUSTRATION BELOW

Bend these Panels DOWN 90 degrees

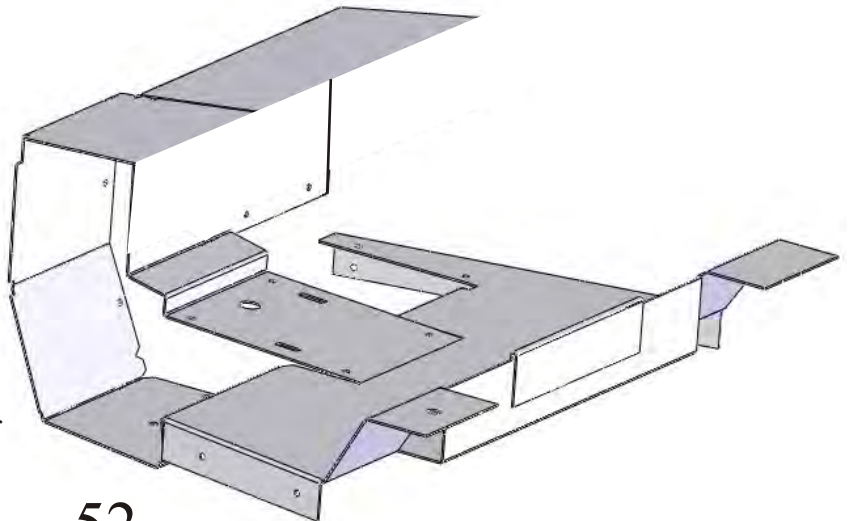


Bend these Panels DOWN 90 degrees

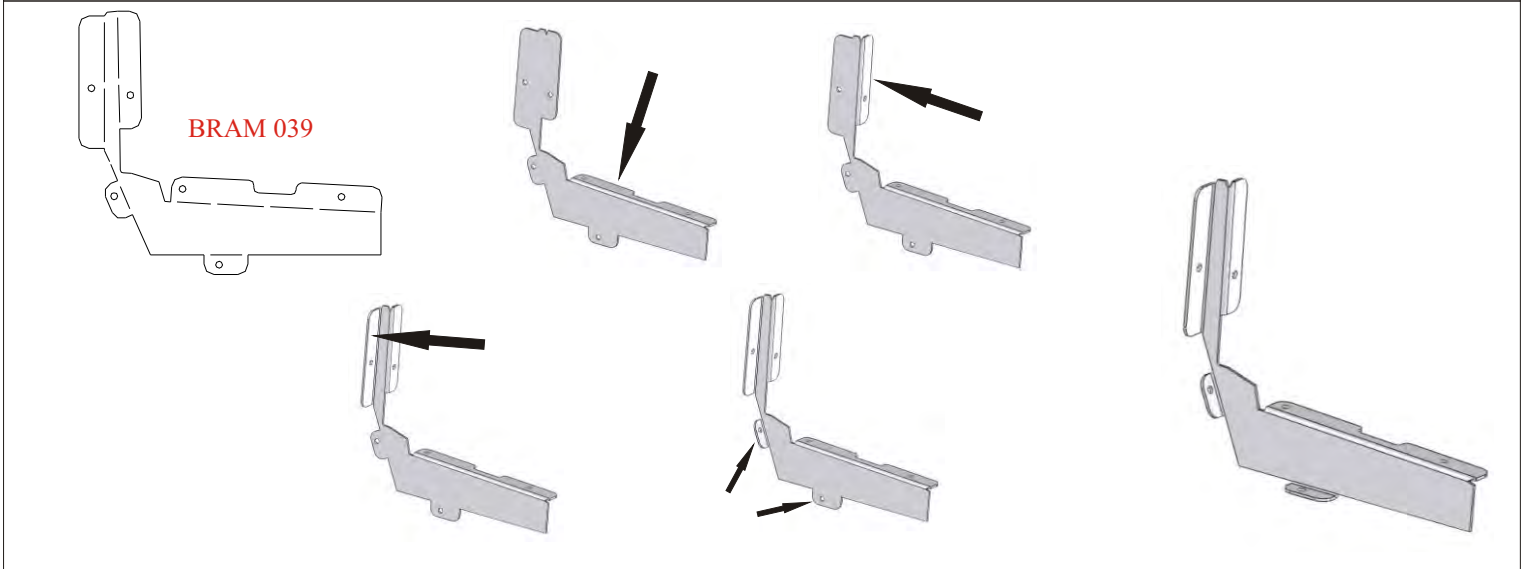
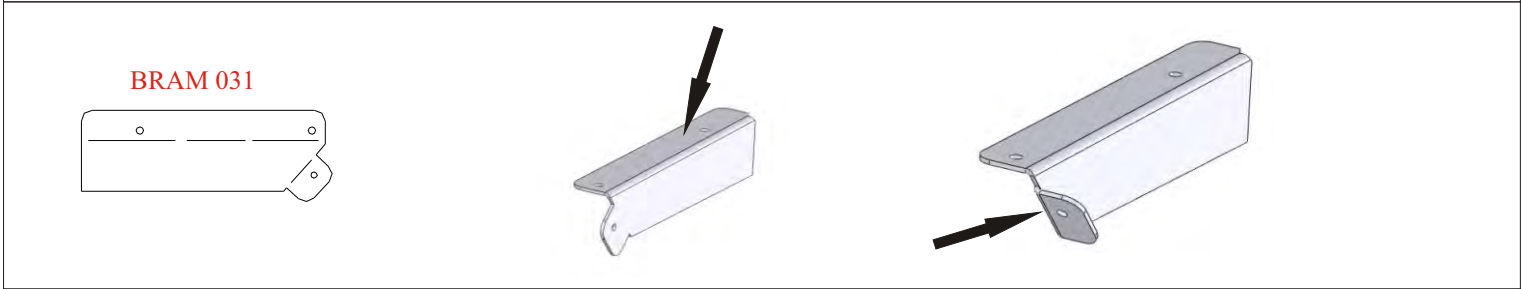
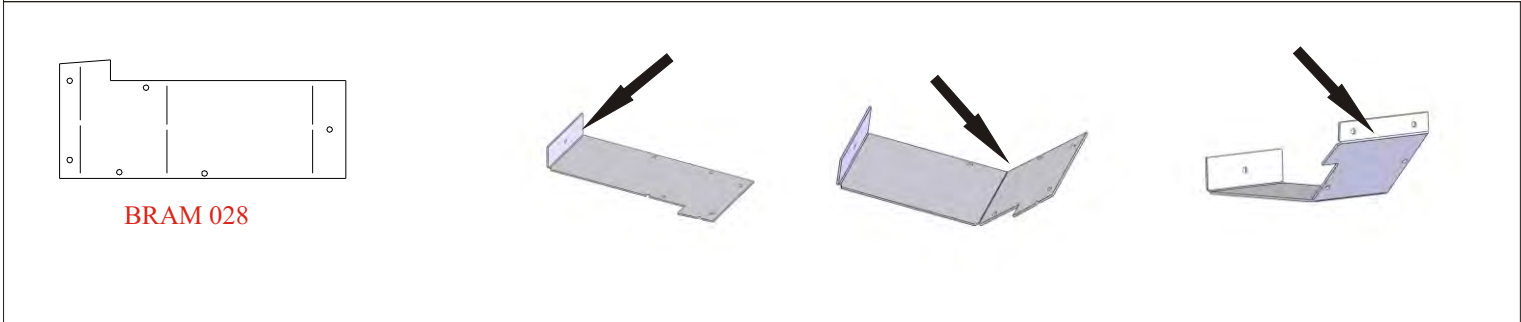


Bend this Panel down and this Panel up

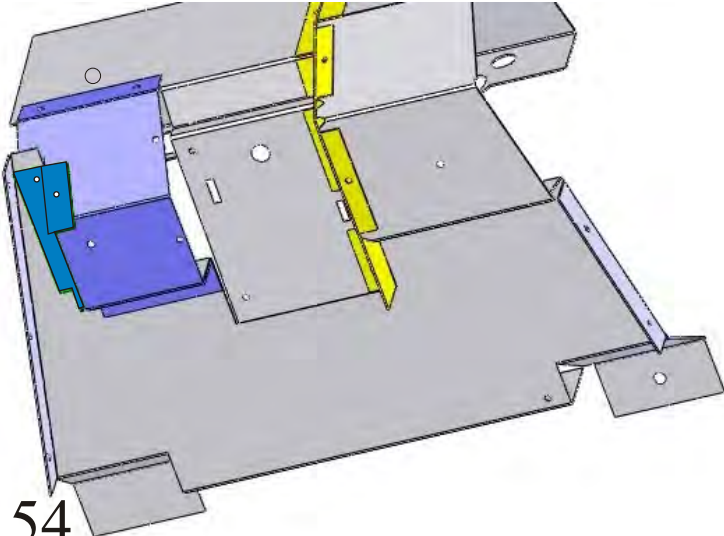
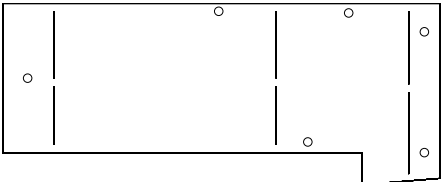
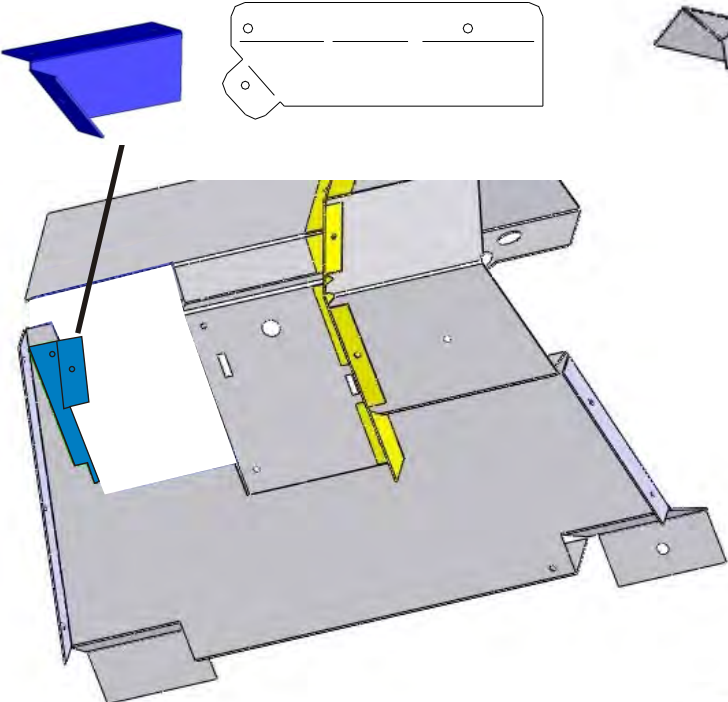
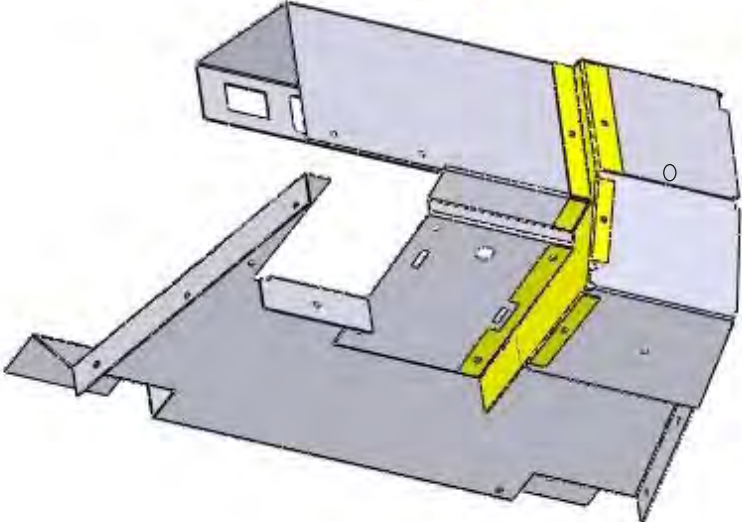
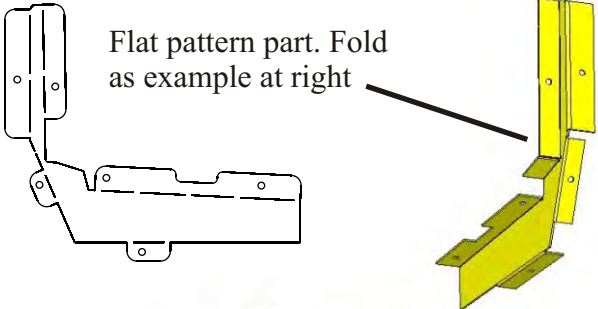
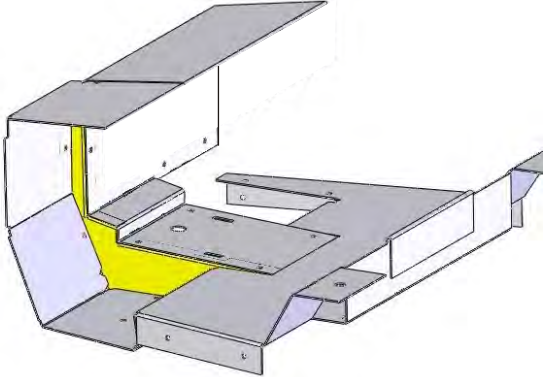
Finished Folded Floor

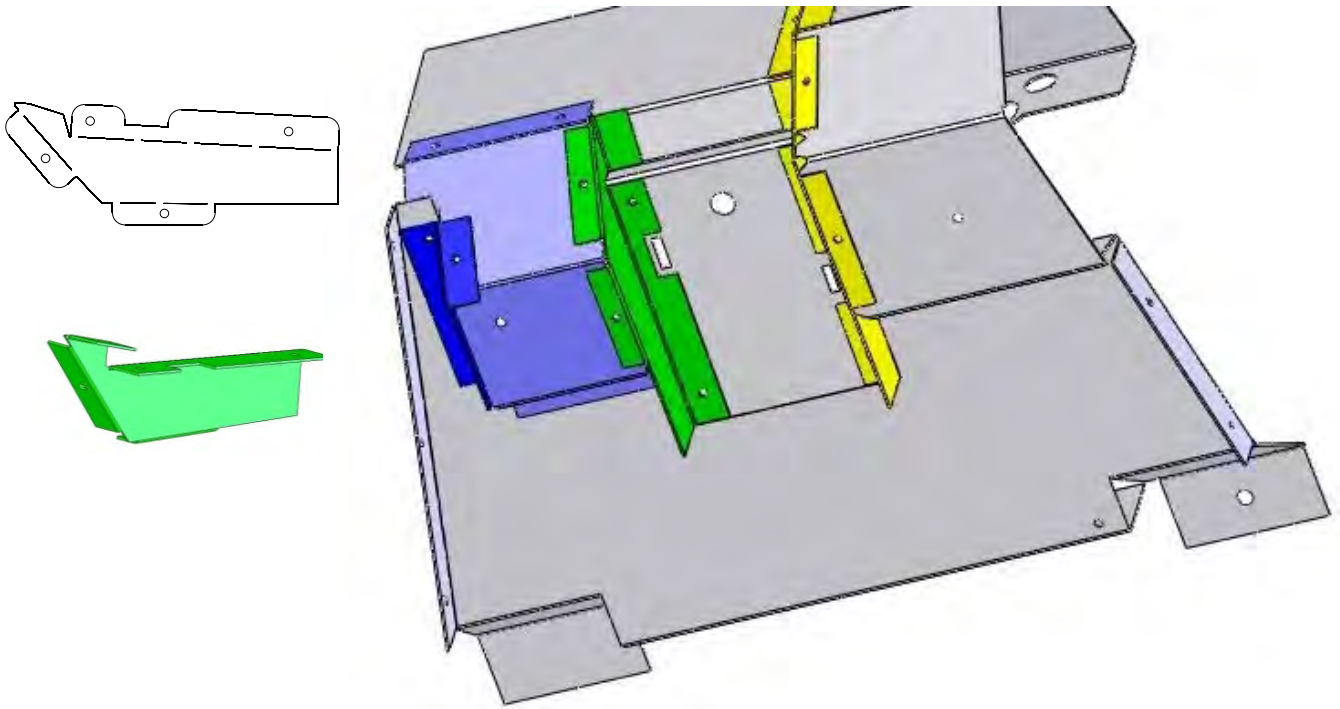


# Front Floor Braces

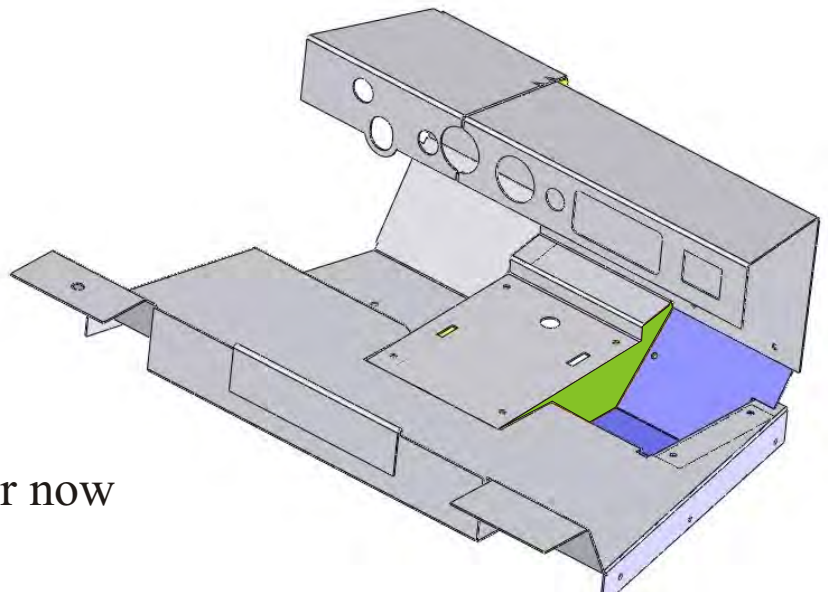
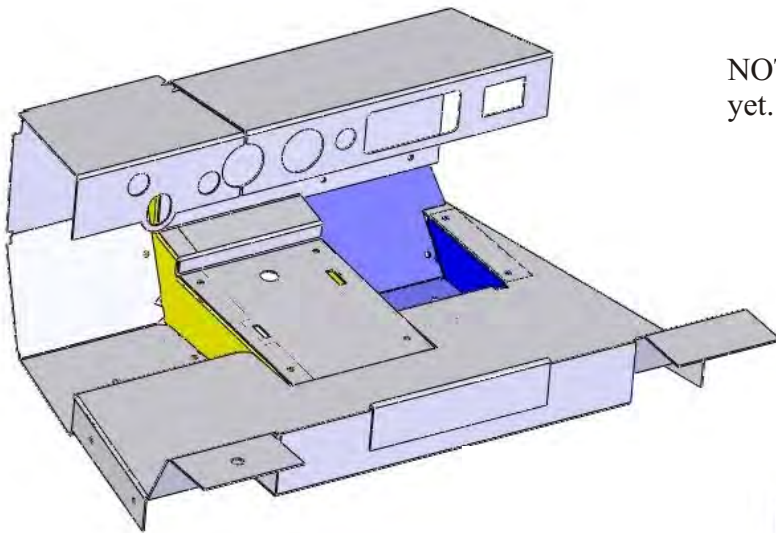


# Insert Floor Braces





NOTE: Dashboard should not be installed yet. It is here to give reference



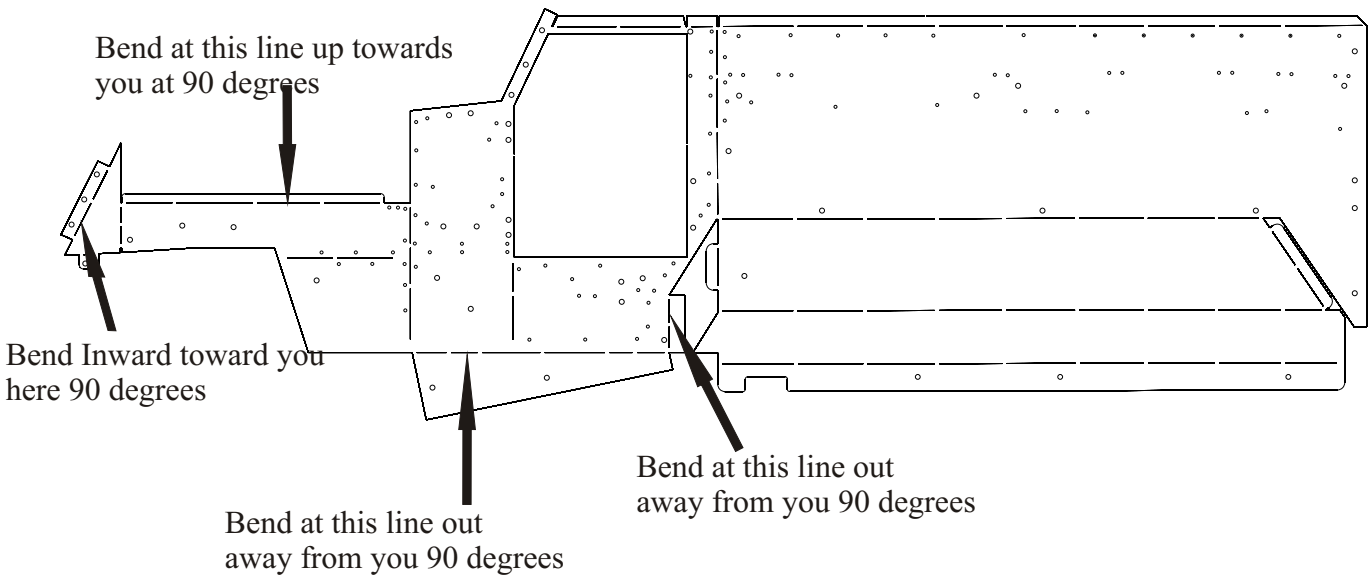
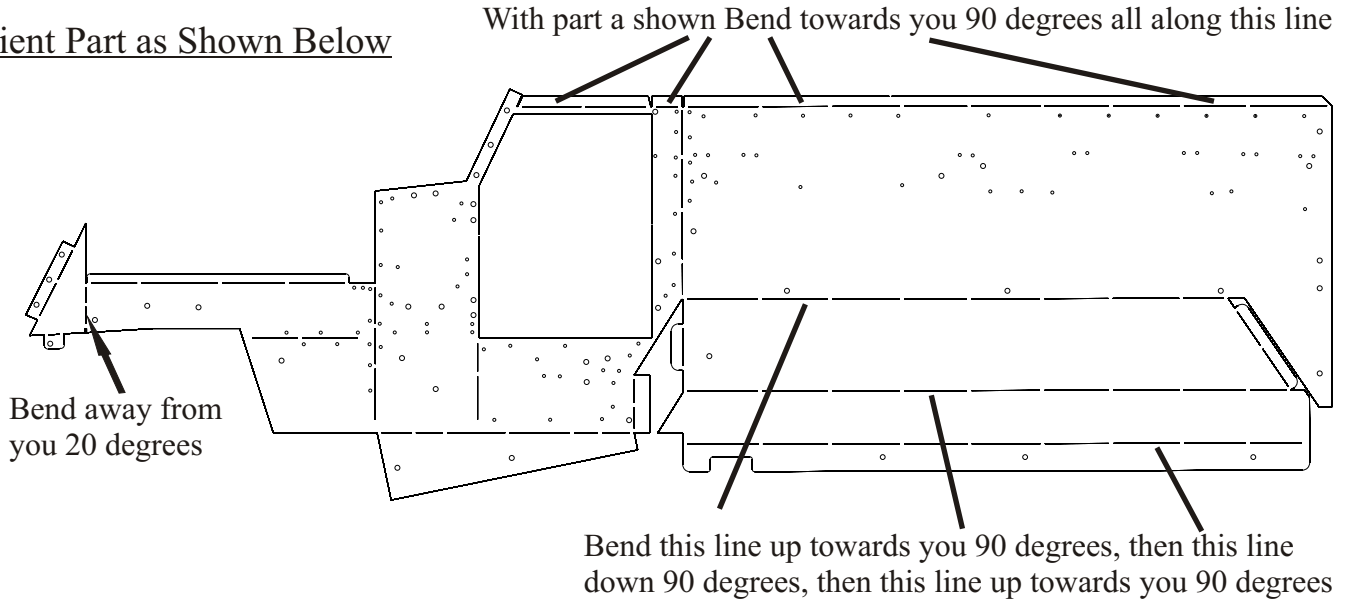
Set this Assembly aside for now

# Body Panels

\* Overview of Bends Study and then TURN page to see bending detail

---

Orient Part as Shown Below



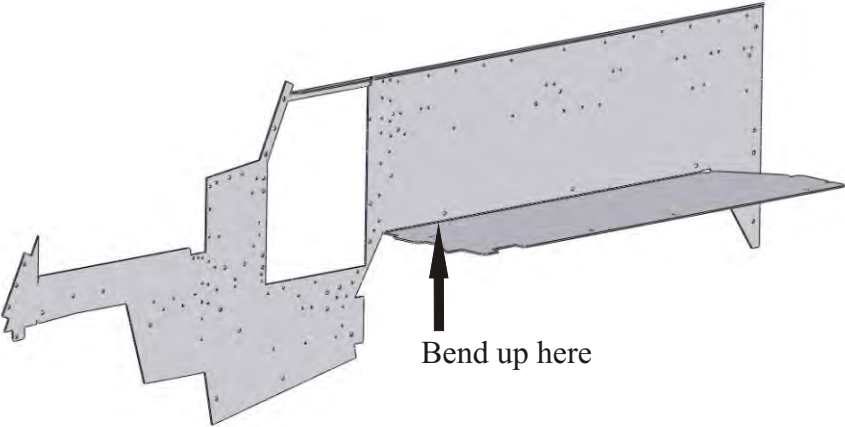
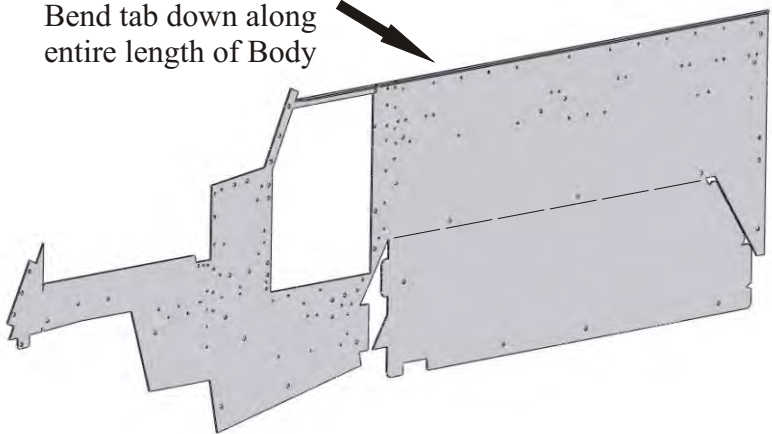
## Note

Fold the other Body side panel in the opposite manner so that you have a mirror image creating a left and right side parts

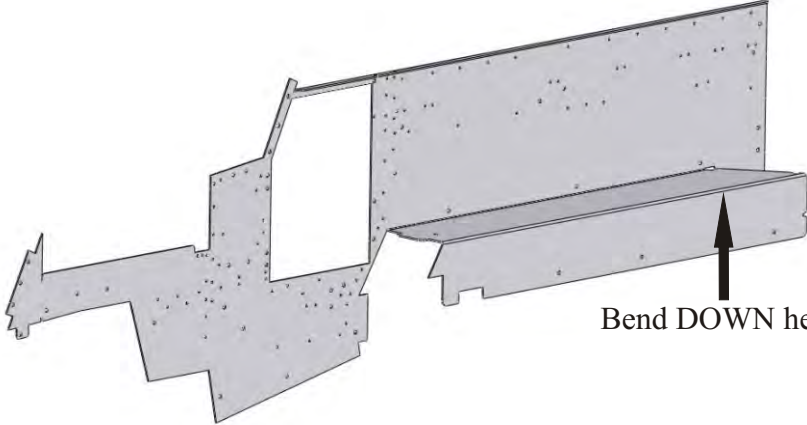


# Body side Bending Detail

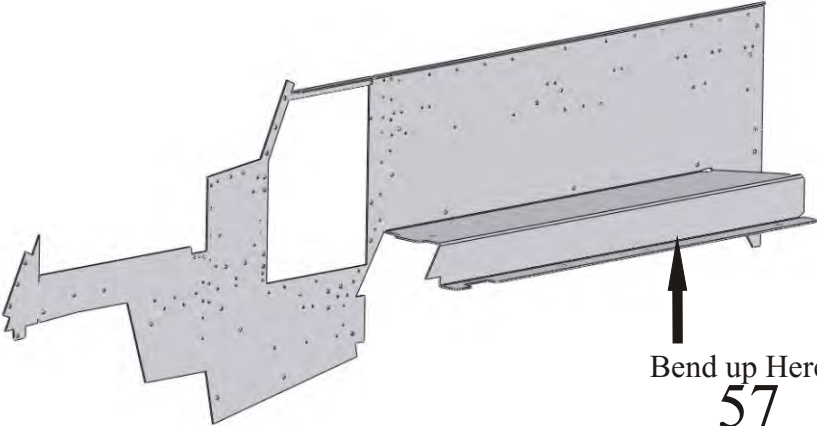
Bend tab down along  
entire length of Body



Bend up here

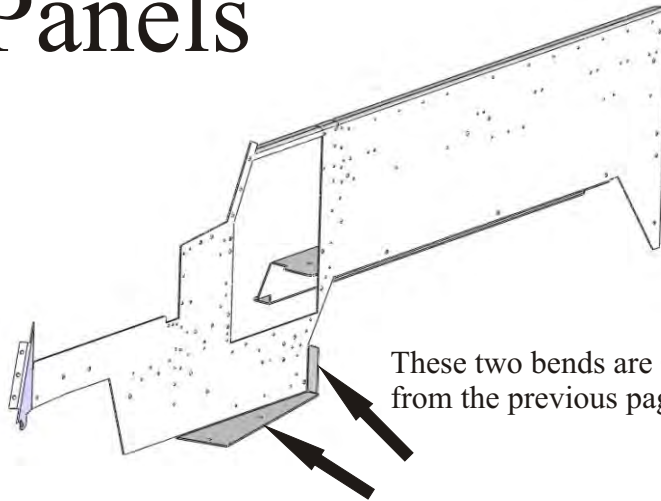


Bend DOWN here



Bend up Here

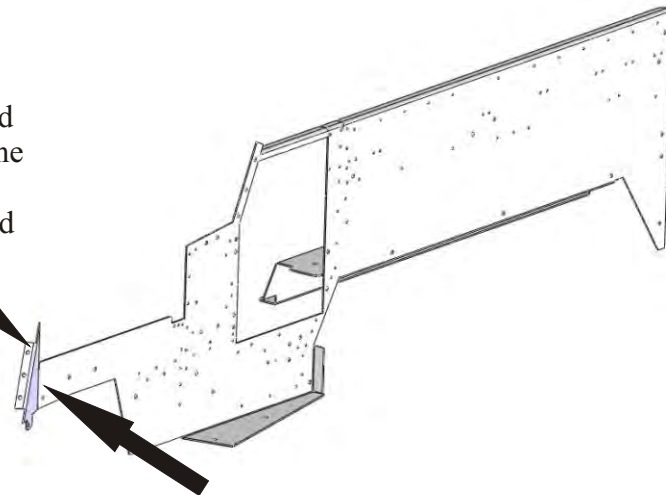
# Body Side Panels



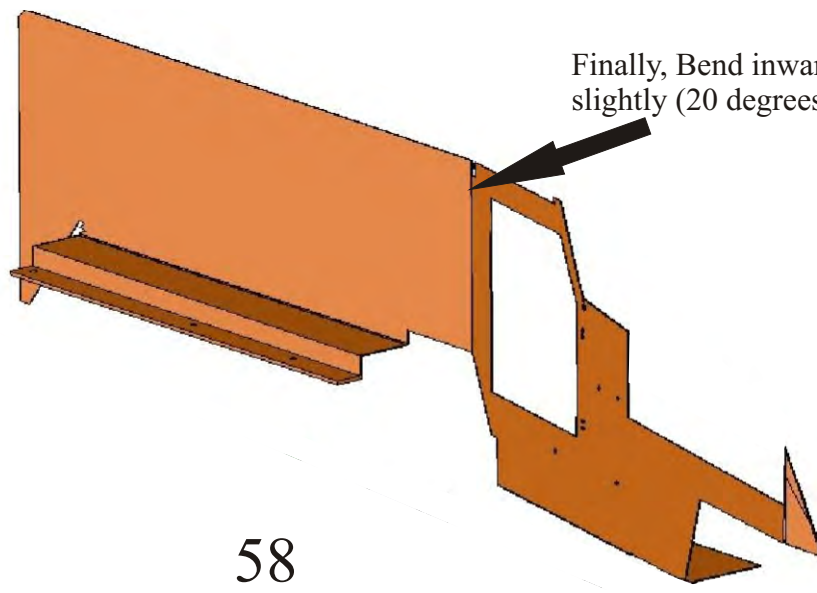
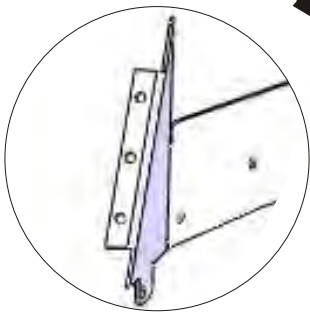
These two bends are OPPOSITE bends from the previous page.

Bend 90 degrees back (opposite) from the previous bends

Bend this part inward 90 degrees. This is the opposite direction of the 10 degree bend

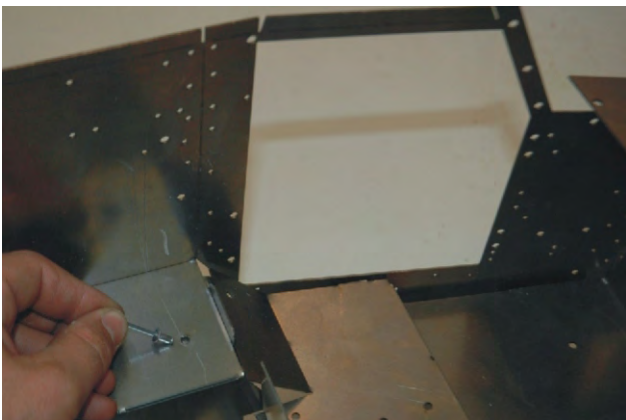
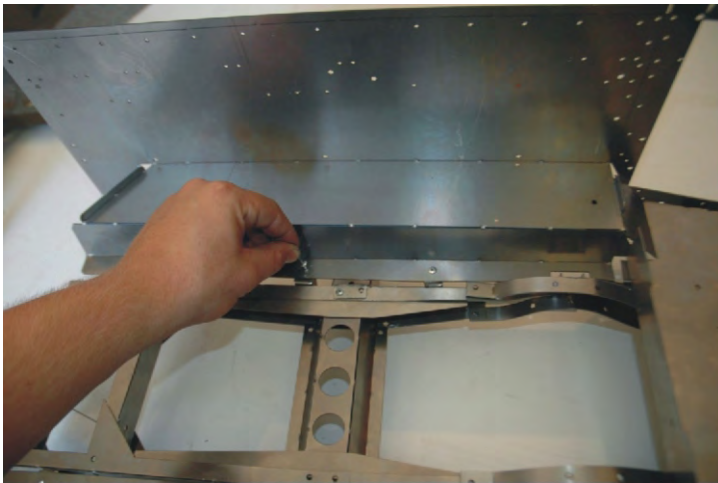
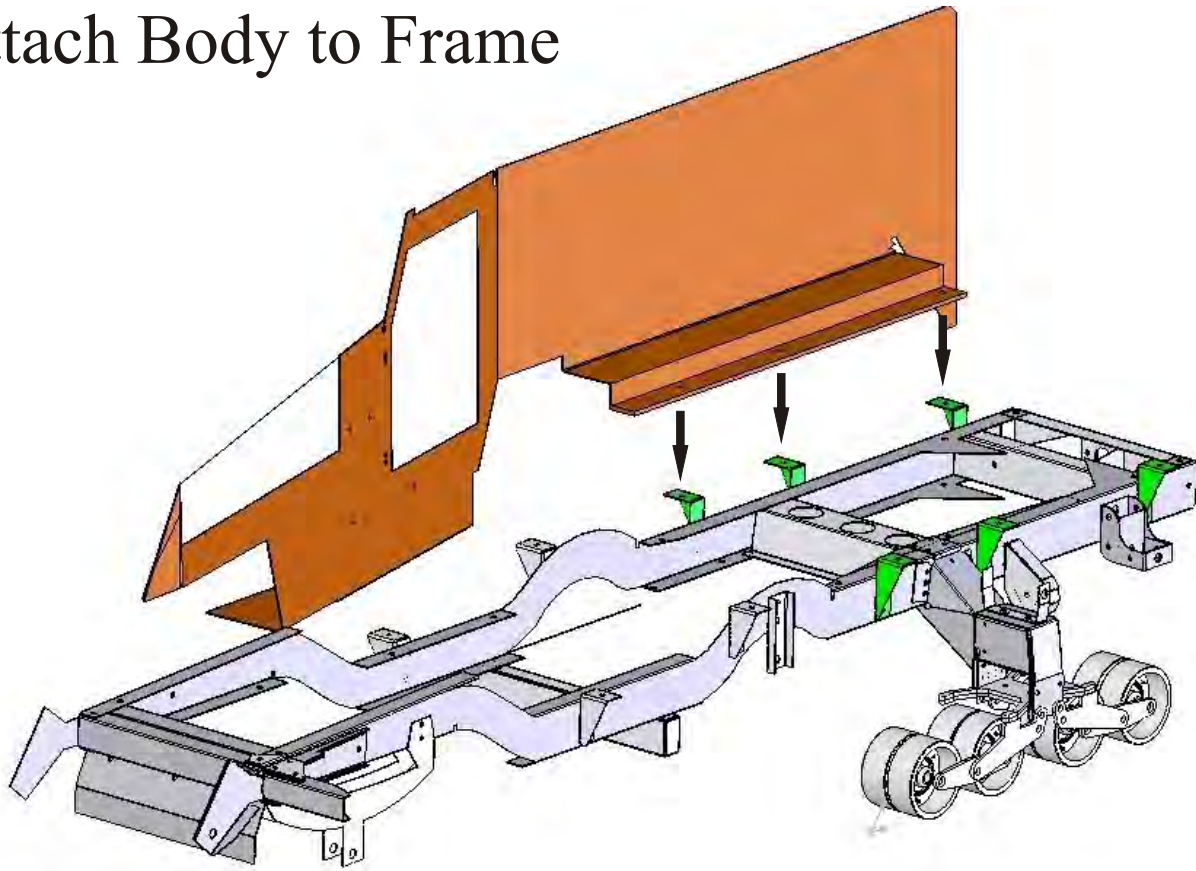


Bend this part out (same direction as the two previous bends) slightly (10 degrees)



Finally, Bend inward here slightly (20 degrees)

# Attach Body to Frame

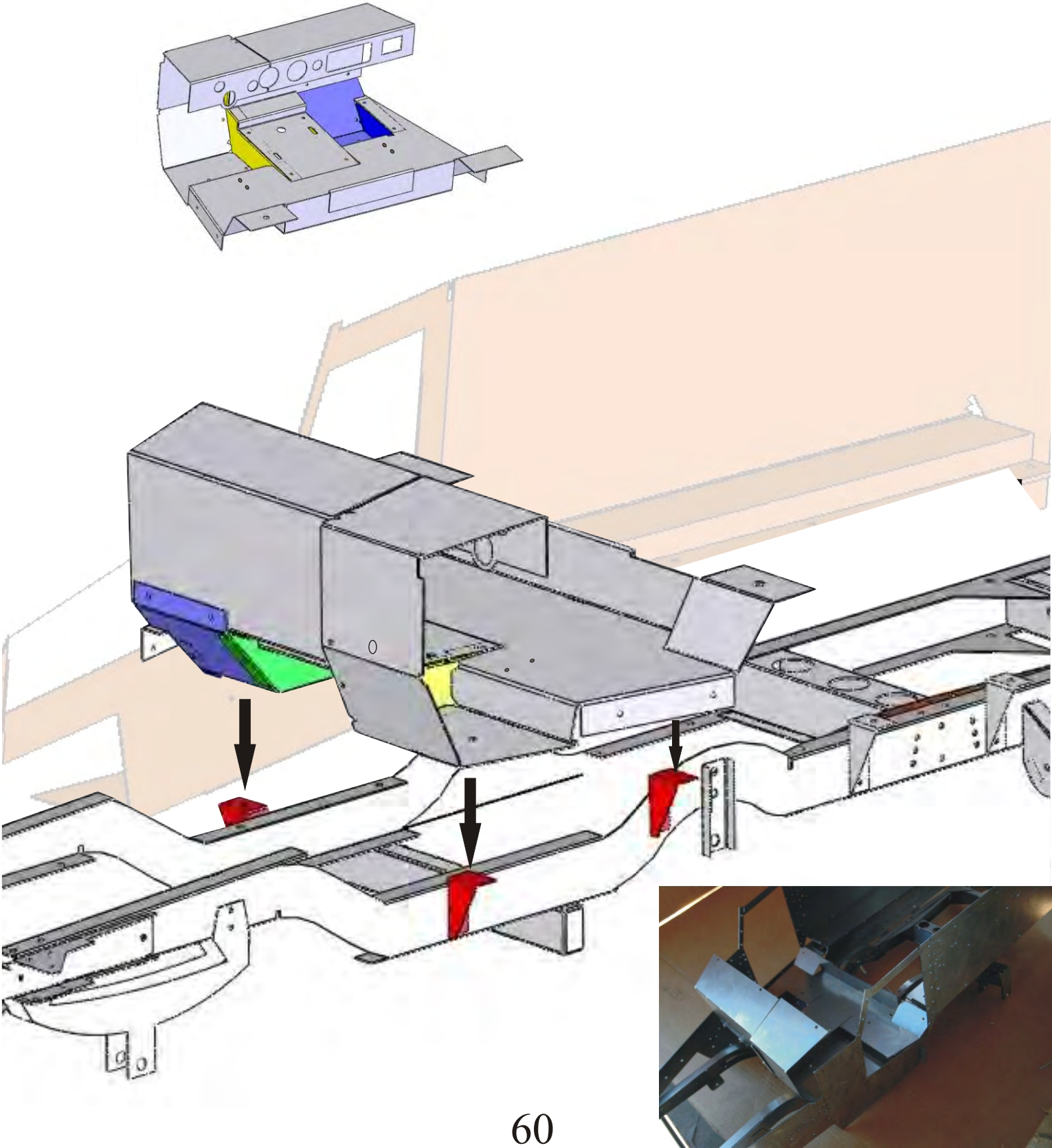


NOTE:

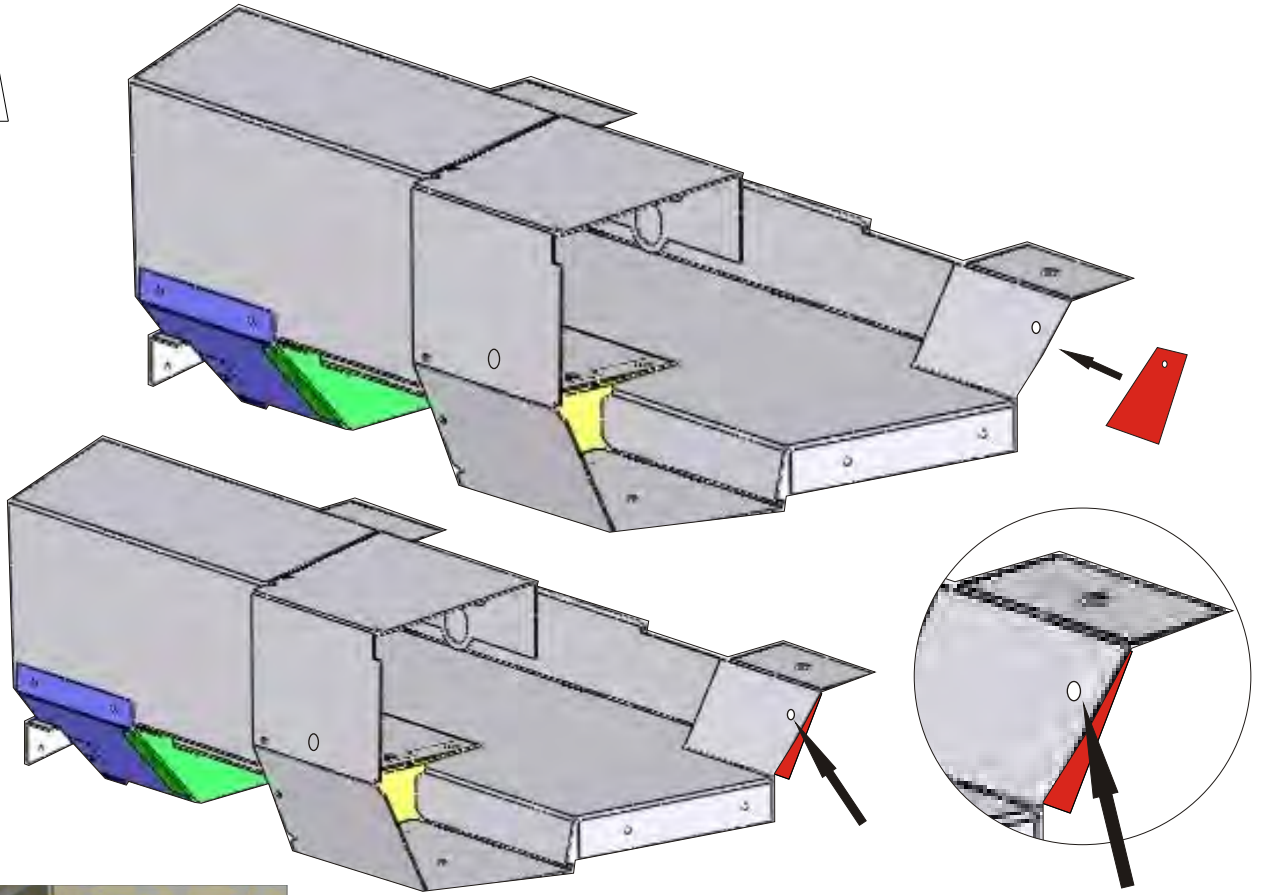
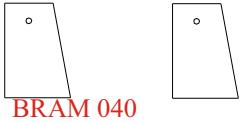
59

Install both left and right Body Side panels

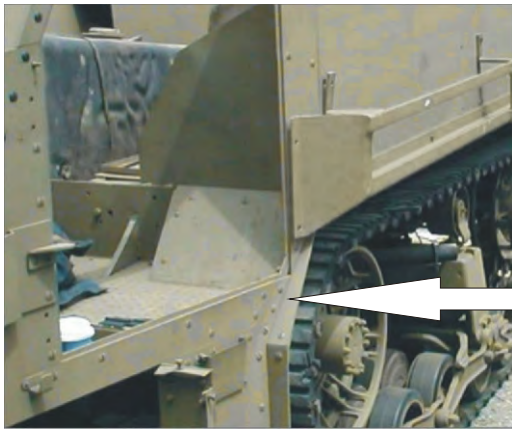
# Installing the front floor onto the frame



# Front crew compartment Plate



Rivet this piece onto front crew compartment



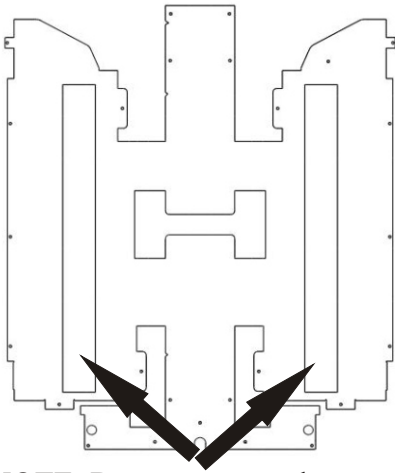
Here is the position of that plate on the Halftack

When the front crew compartment is installed the small tab extends here

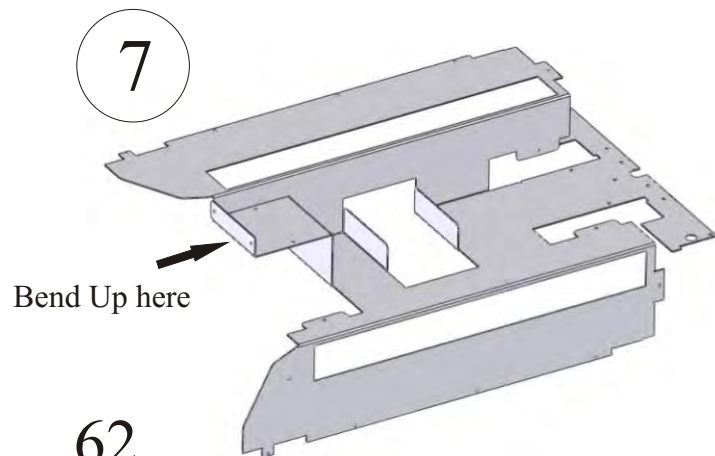
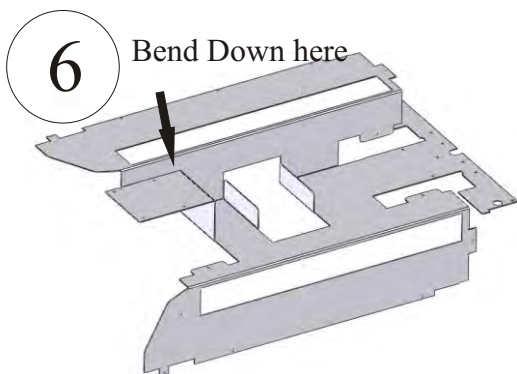
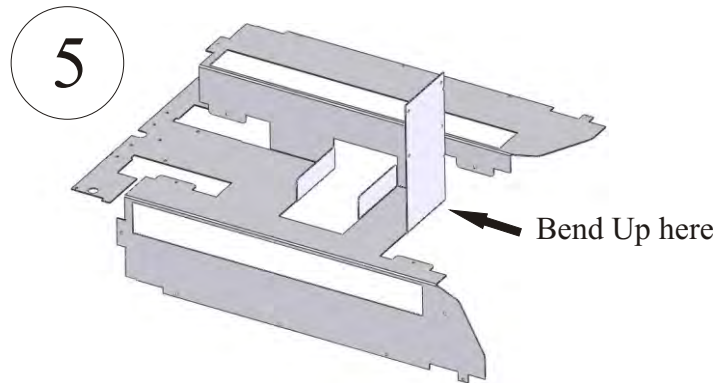
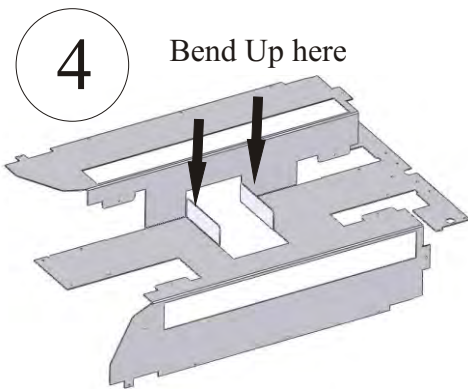
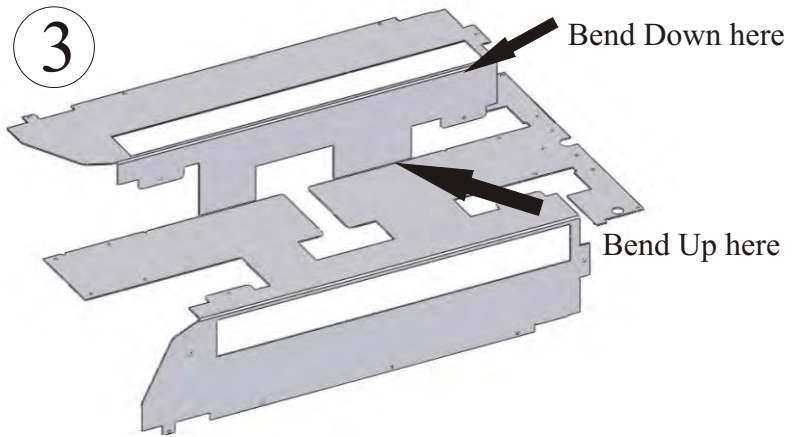
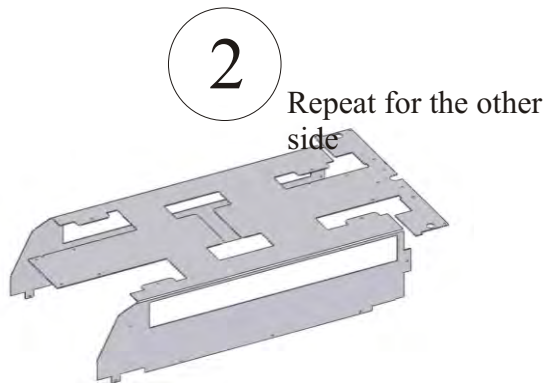
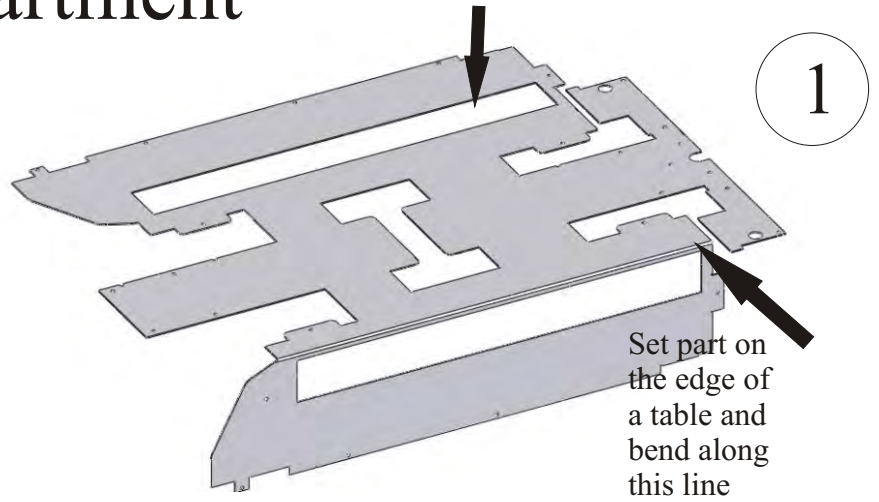


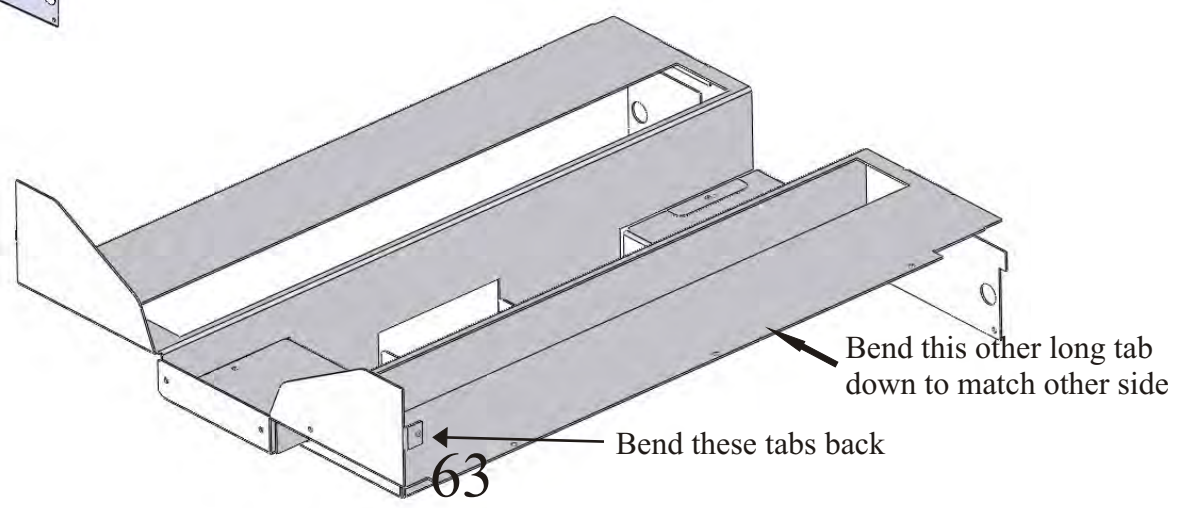
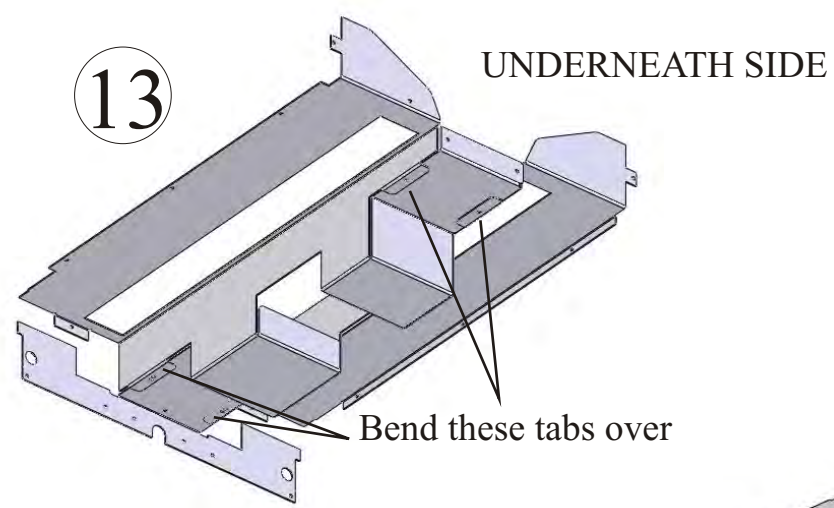
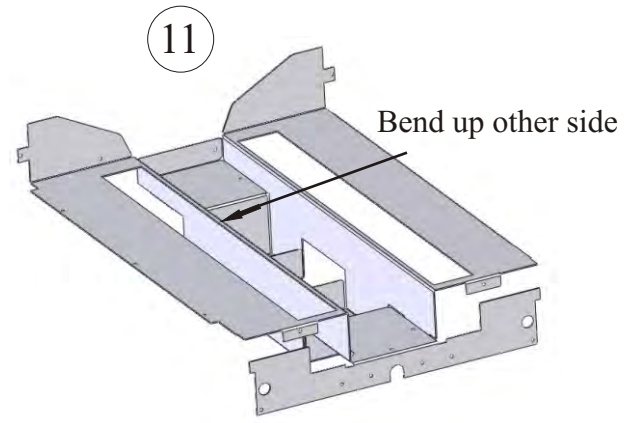
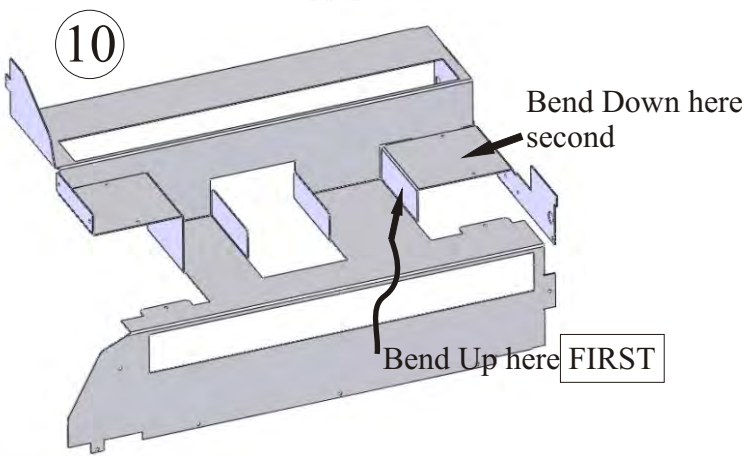
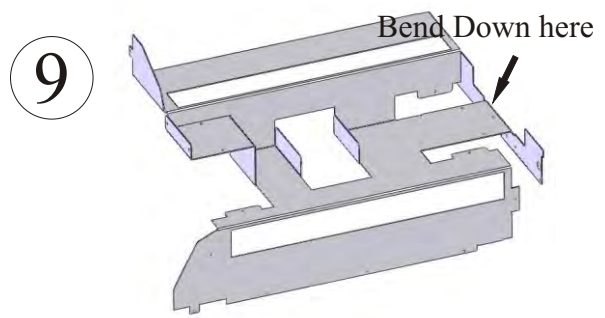
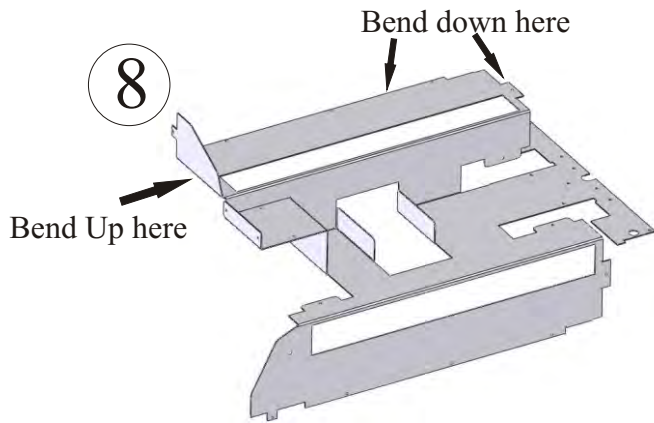
# Rear Crew Compartment

NOTE: Do not remove this section.



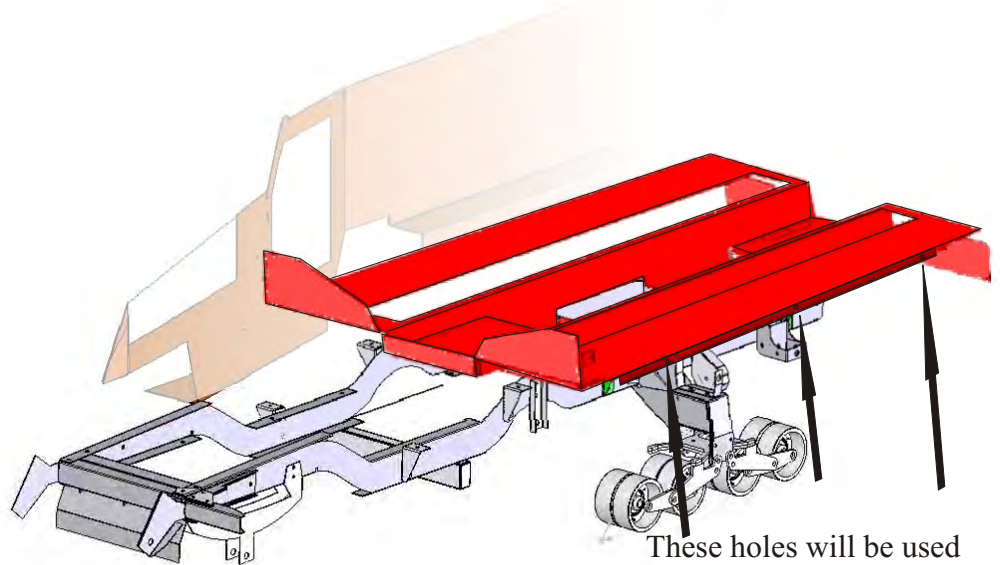
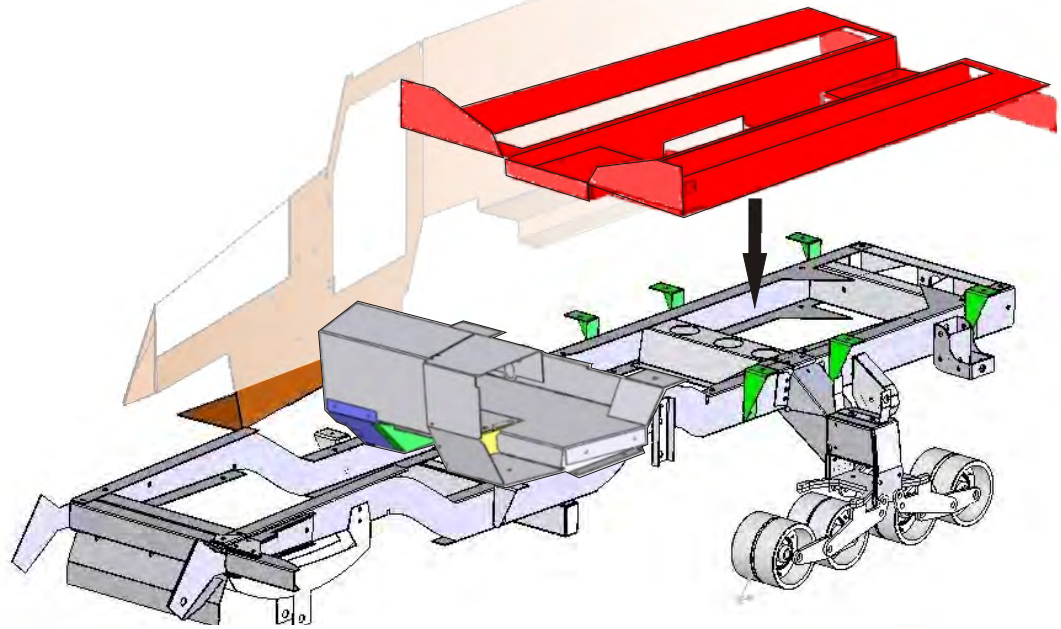
NOTE: Do not remove these sections





# Crew compartment here

Rear Crew compartment goes on after sides go on. Front side is not shown so that you can see the crew compartment placing.



These holes will be used to rivet rear crew compartment to body side panels

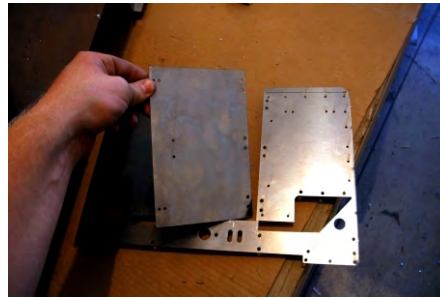
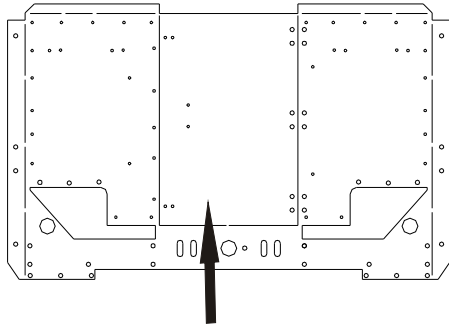


Once the rear crew compartment is in place rivet it to the body sides in these three places on each side.



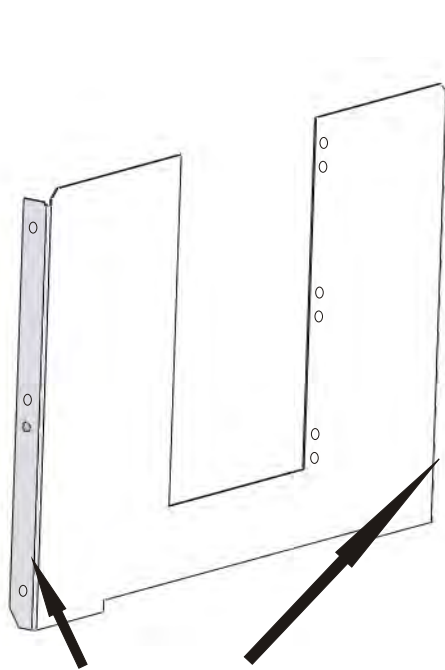
BRAM 051

# Back Panel and Door

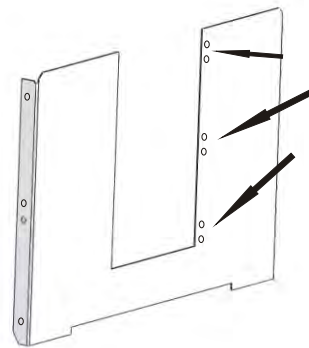


Remove Back Door

Carefully remove back door from back panel

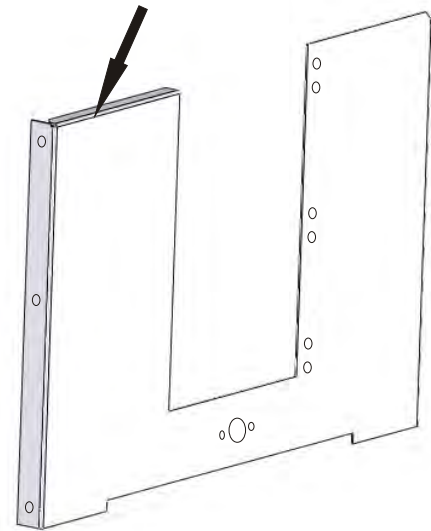


Bend this Tab on each side FORWARD 90 degrees

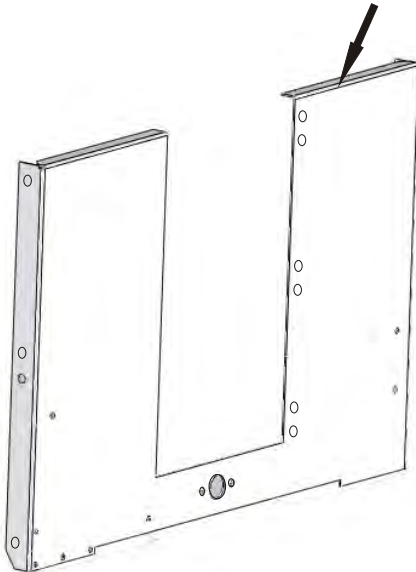


Orient Door so that these holes are on the Right Side

Bend this Tab FORWARD 90 degrees

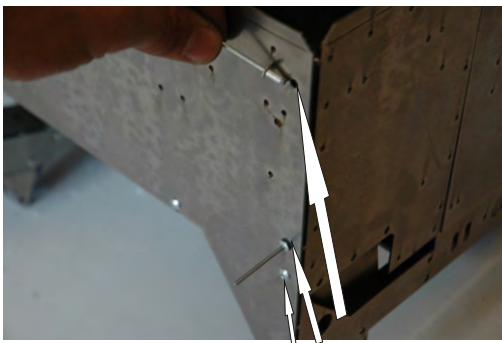
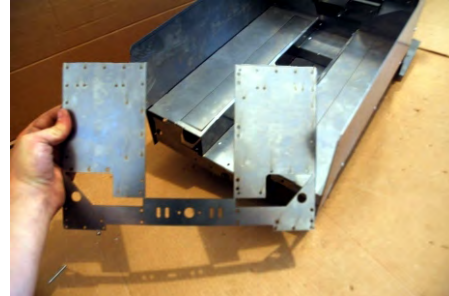
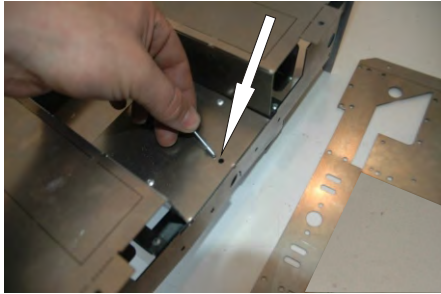


Bend this Tab 90 degrees

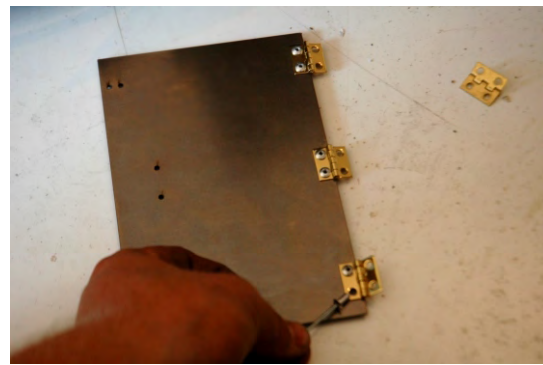


# Attaching Back Panel and Rear Door

Make sure you put a Rivet here  
before attaching back Panel



Put in Three Rivets through the side  
panel into the bend tab of the Rear Panel



Attach Hinges to Rear Door

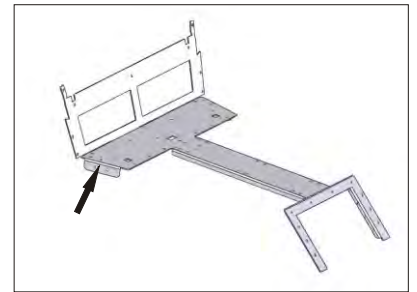
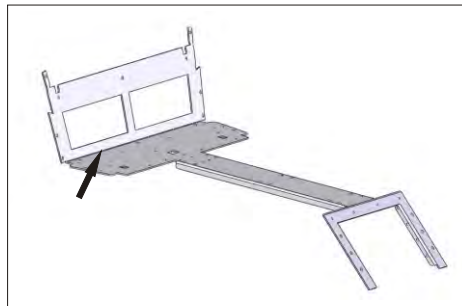
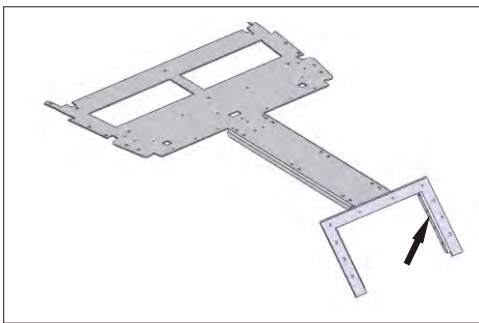
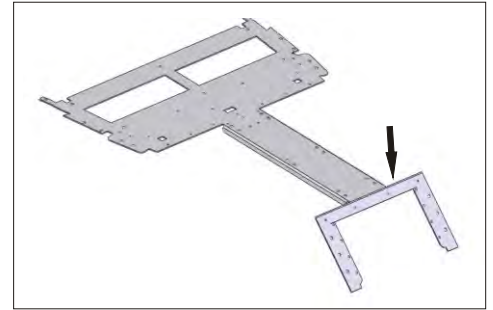
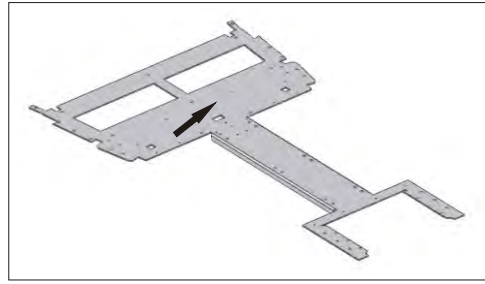
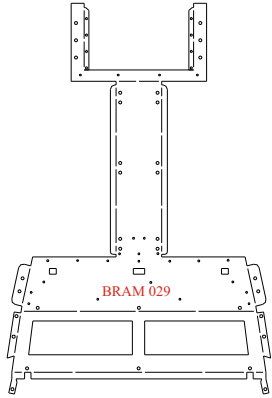


Attach Rear Door to Back Panel

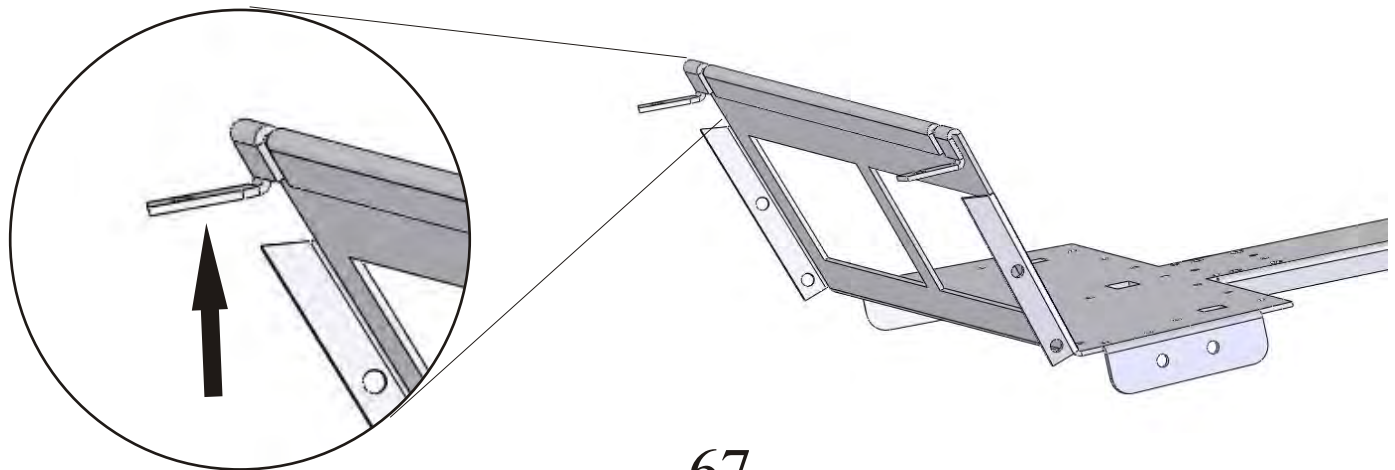
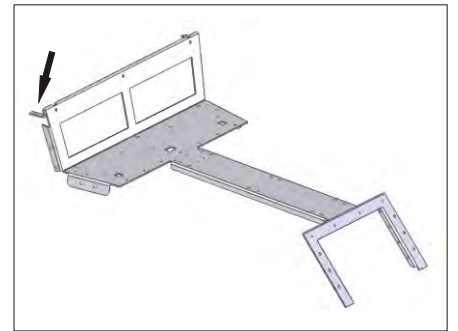
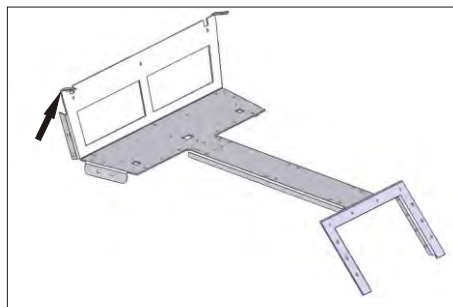
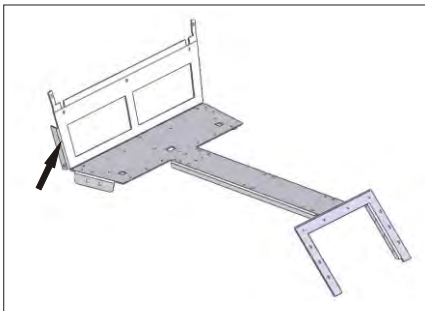
Finished Rear End



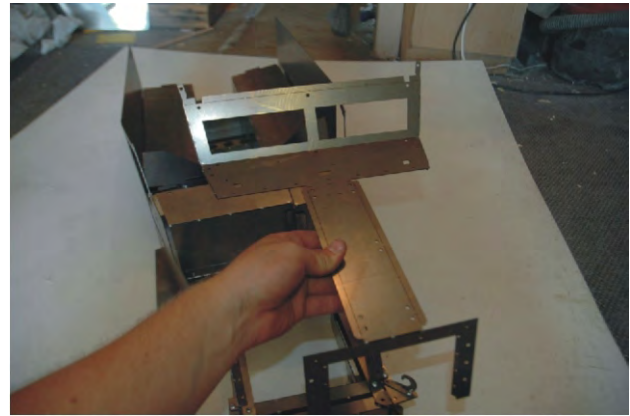
# Front Hood



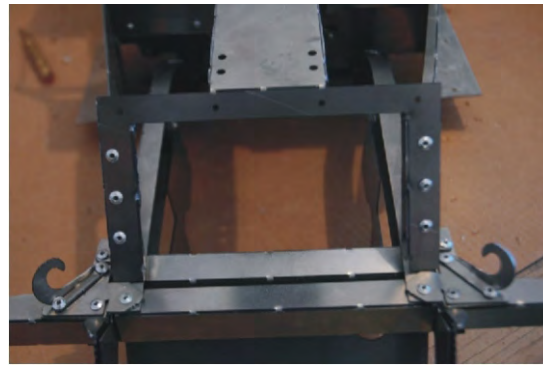
Bend Grill housing tabs inward



# Front Hood Assembly



Rivet front hood to front body

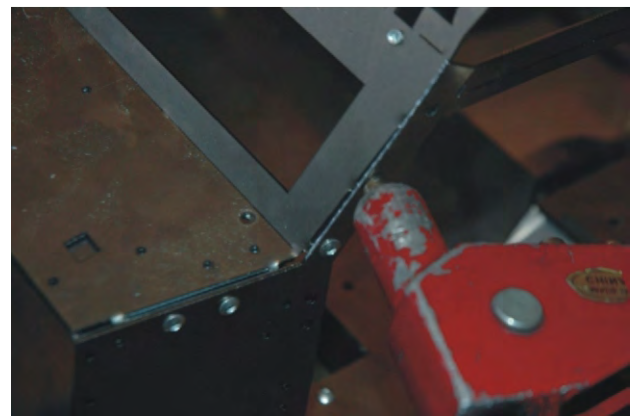


Don't rivet the front hood here yet.

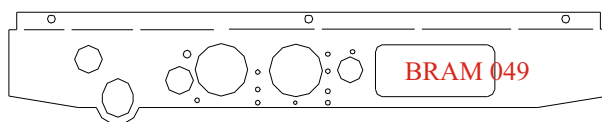


Rivet to Body

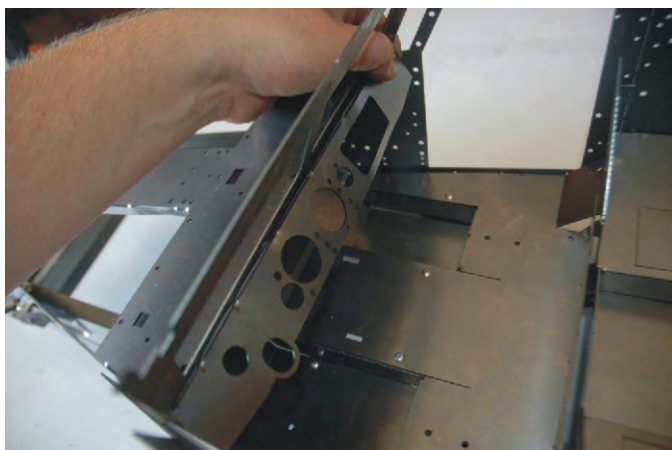
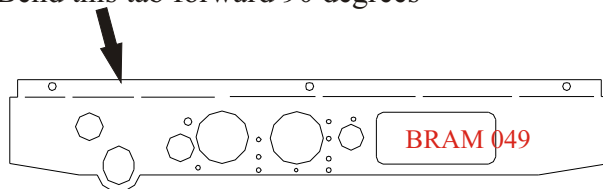
Rivet to Body at the window frame



# Dashboard



Bend this tab forward 90 degrees



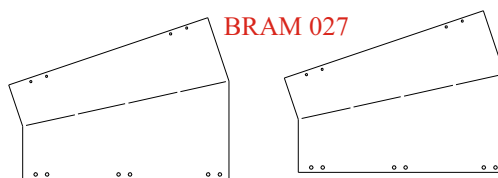
Slide Dashboard in between front panel and top of front floor board



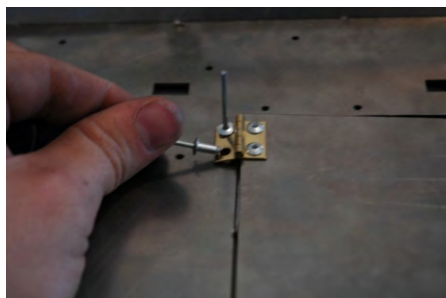
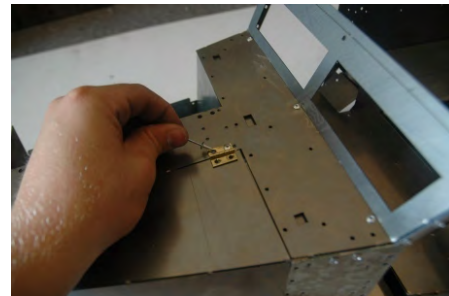
Rivet from the top of the front hood through the dashboard holes



# Hood Panels



Bend the panels at 90 degrees. Make sure to bend a LEFT and RIGHT.

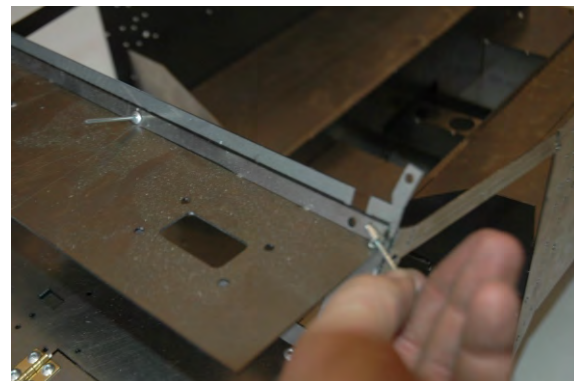
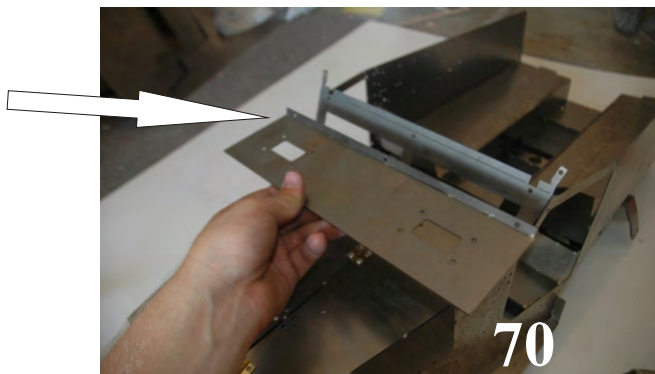


# Armored Windshield

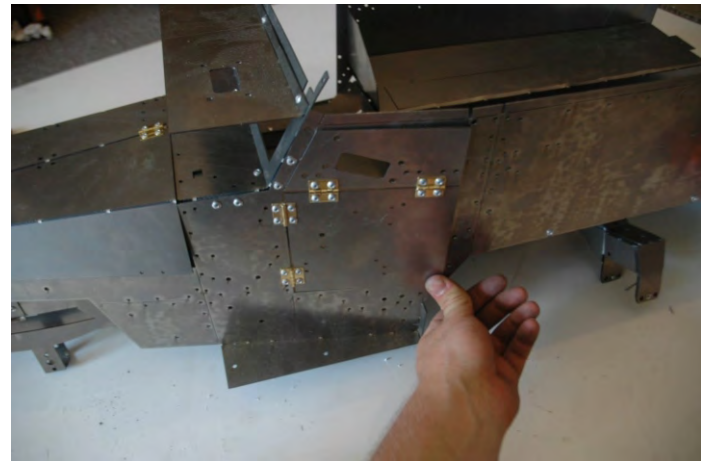
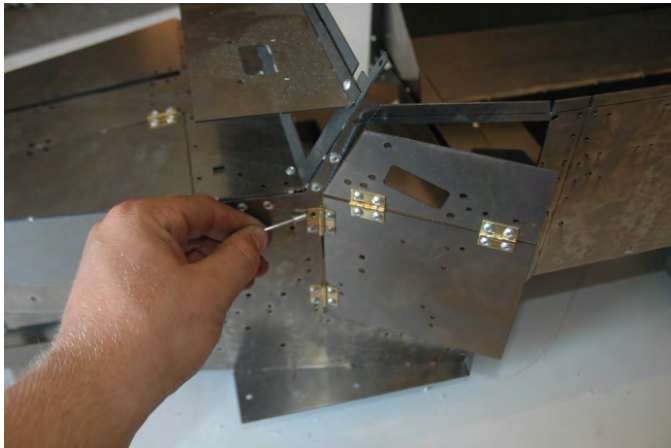
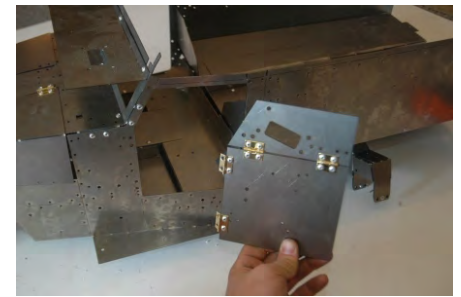
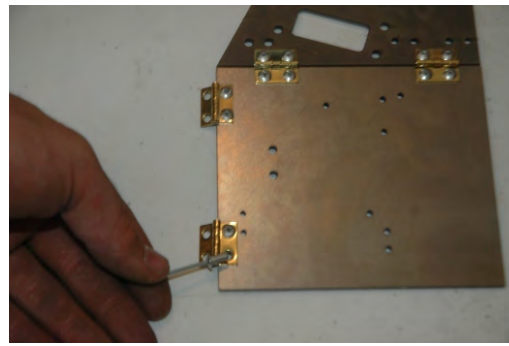
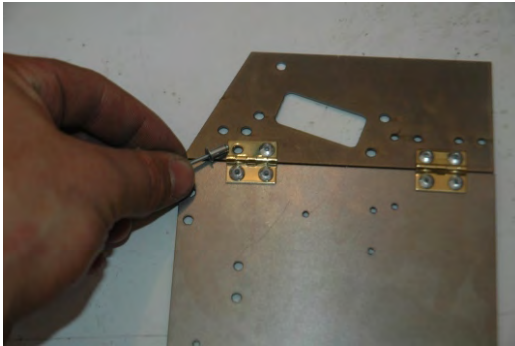
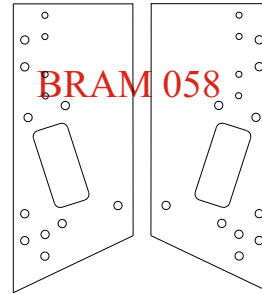
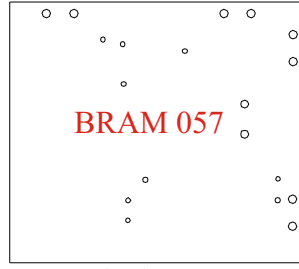
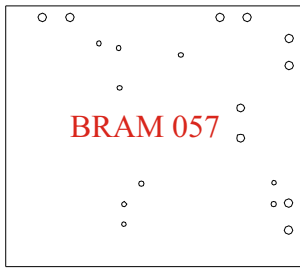


Bend here approx. 45 degrees

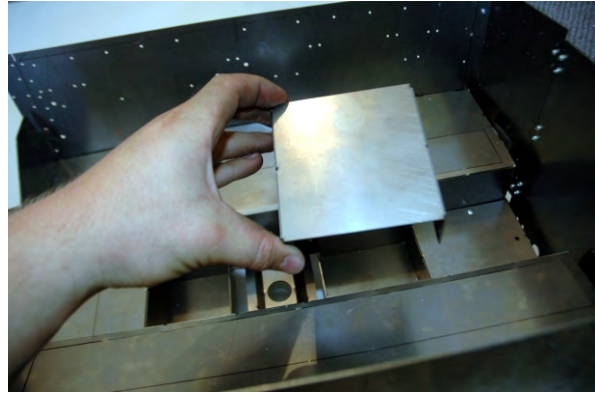
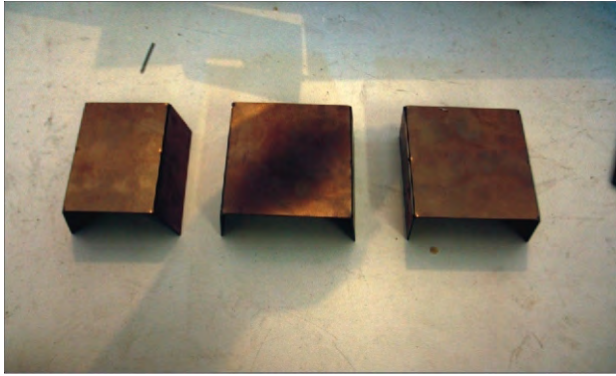
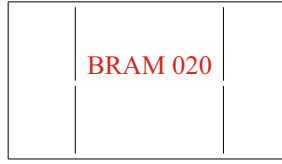
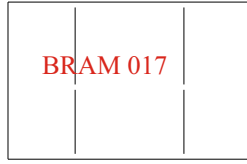
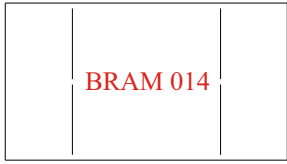
Rivet to the Front Hood here



# Front door

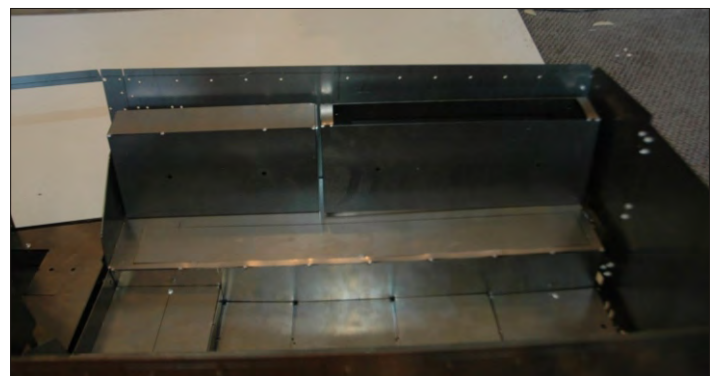
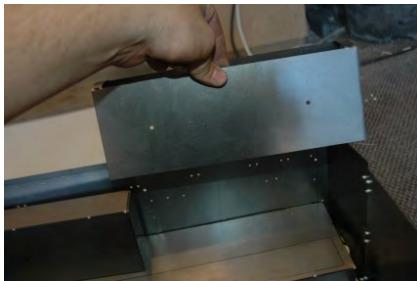
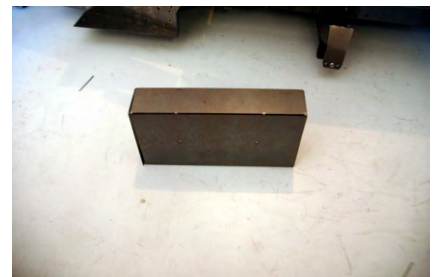
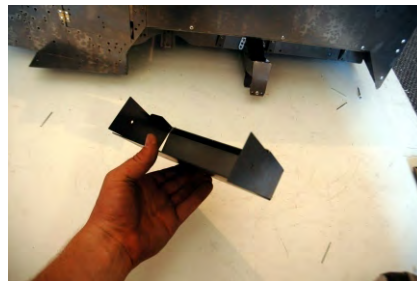
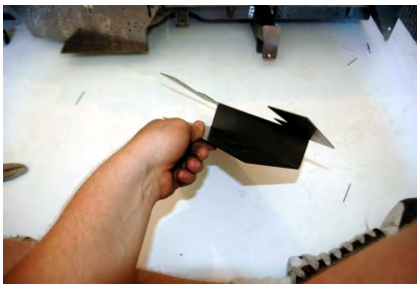
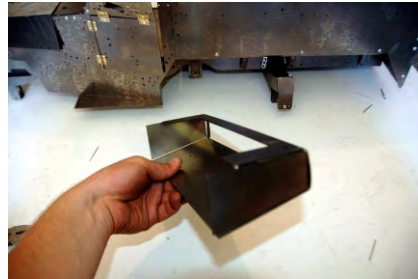
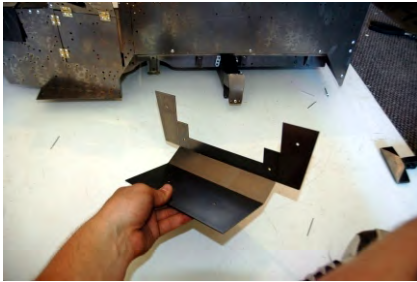
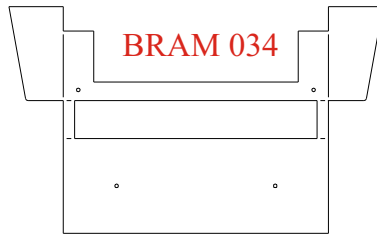
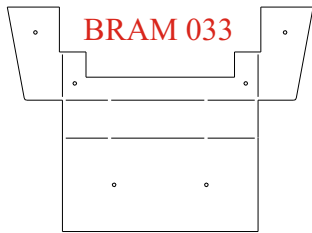


# Rear Floor Storage Covers

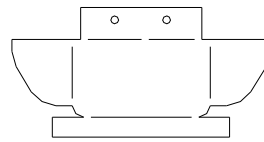




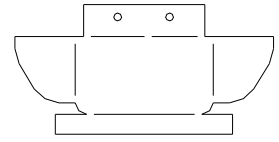
# Fuel Tank and Rifle Rack



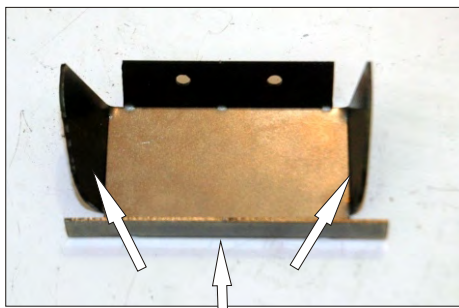
# Spare Gas Can Holder



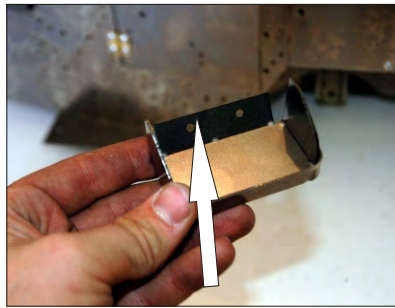
BRAM 046



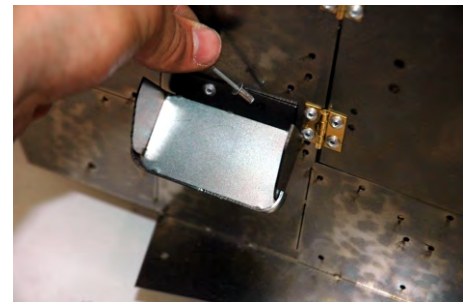
BRAM 046



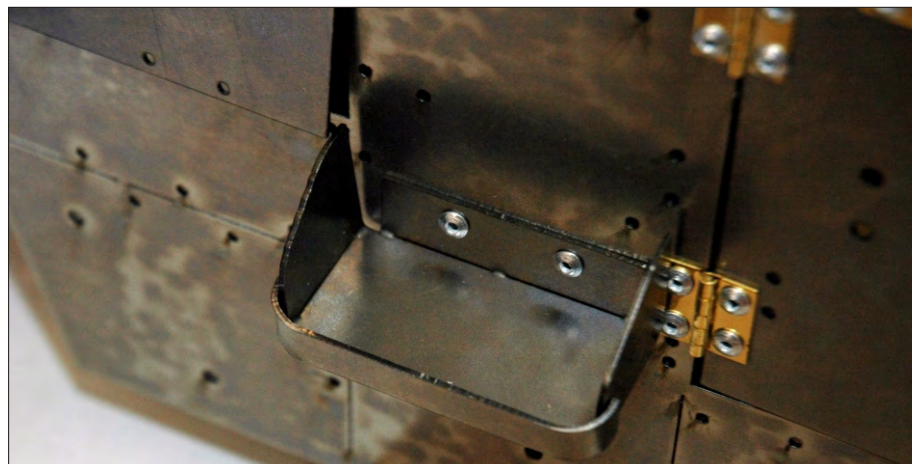
Bend up these three tabs



\*NOTE: Bend this tab only part way up (20 degrees)



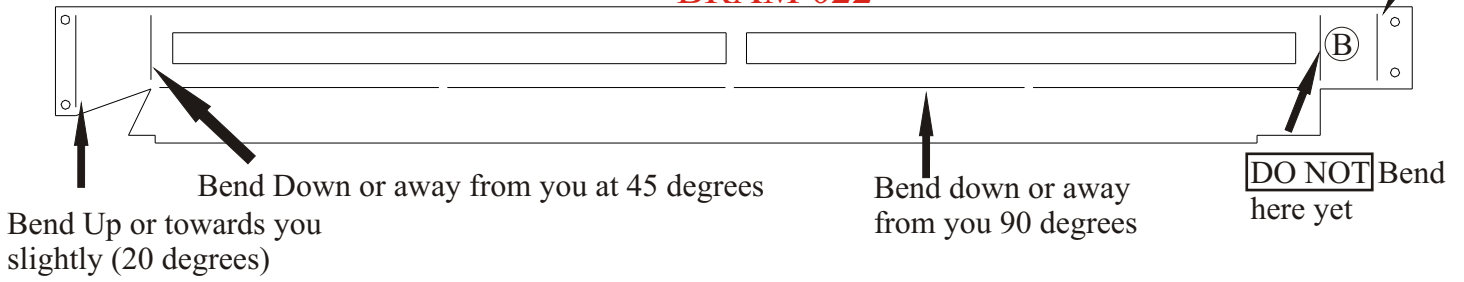
Attach extra fuel can to side of halftrack. After riveting finish bending part up to 90 degrees



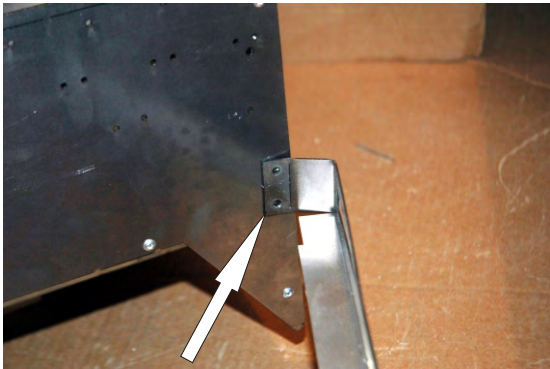
# Mine Rack Holder

BRAM 022

Rivet Here down  
or away from you First  
90 degrees



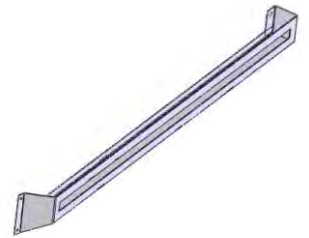
\*NOTE: Make sure to bend one in the opposite direction



Rivet to rear side of halftrack and bend at "B" bend line



Bend Mine Rack and align front holes.

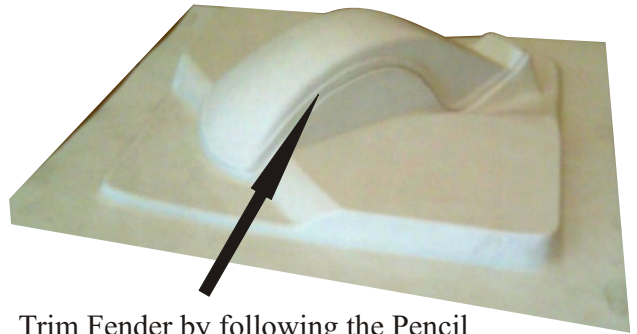
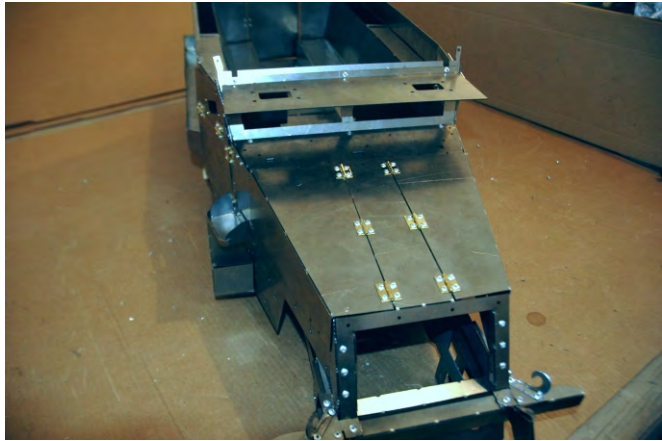


Bend tabs to fit on holes in front of halftrack.

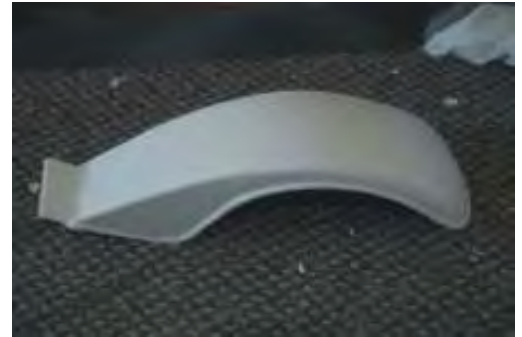


# Front Fender

## Trimming the Front Fenders

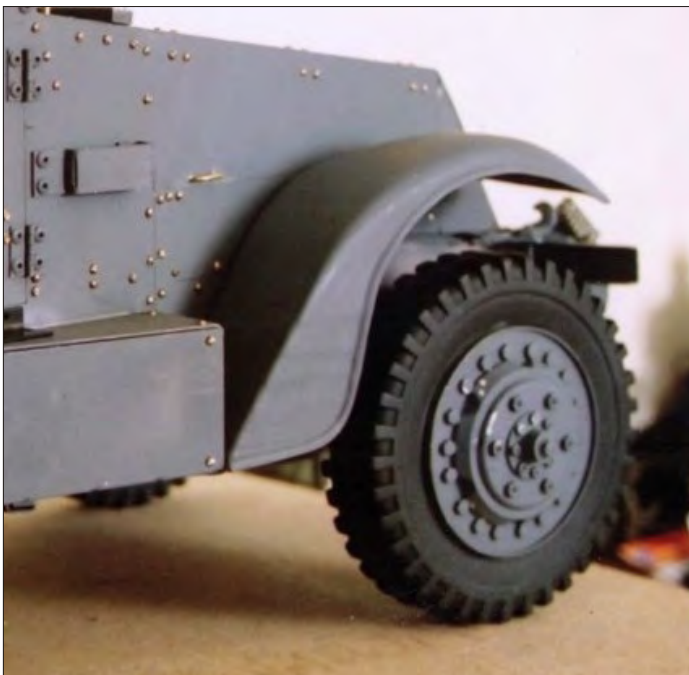
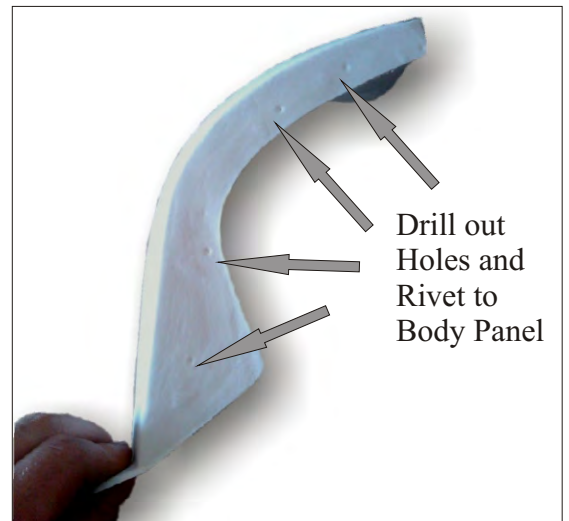


Trim Fender by following the Pencil Line.



Holes in Body Panel

**\*NOTE:**  
Attach Fender  
*BEFORE* putting  
on front wheels



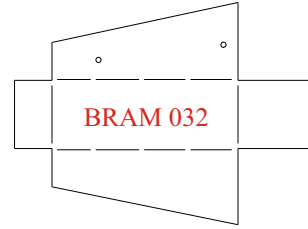
Fender on RKD Halftrack



Reference of real Halftrack Fender

# Side tool Box

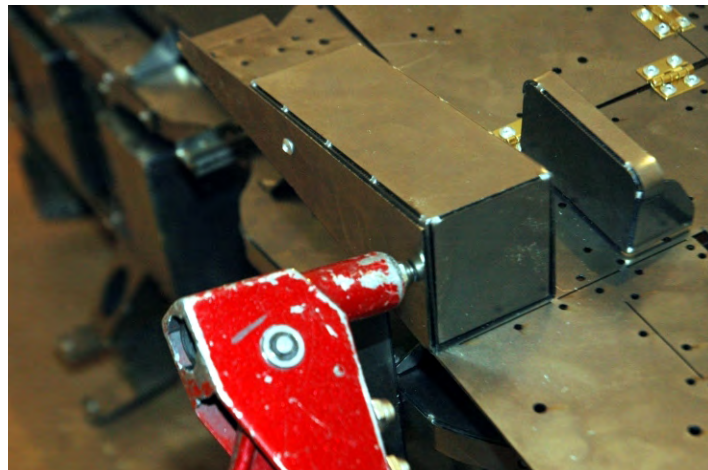
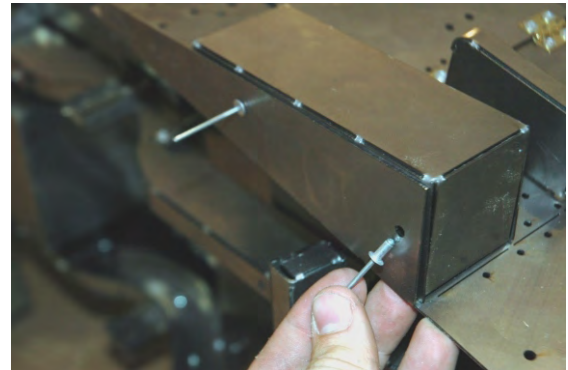
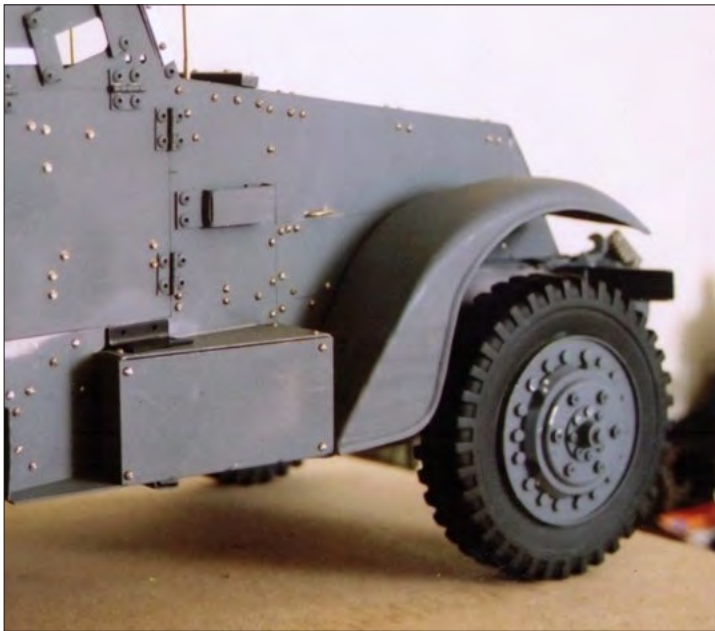
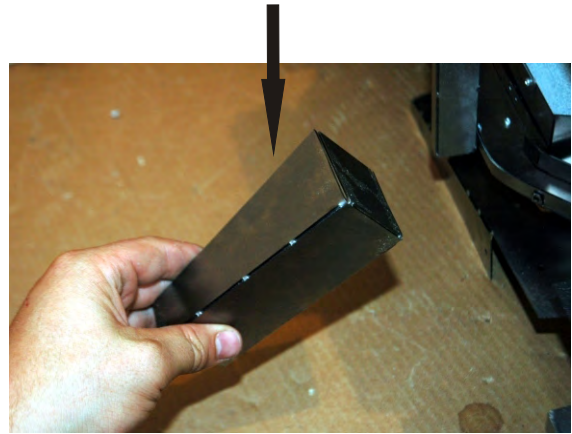
Install on the PASSENGER SIDE



Orient the metal part as shown above. Fold all four flaps 90 degrees up to form a box like below.

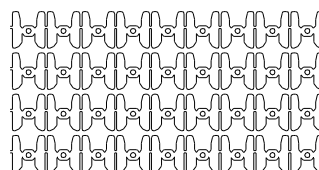


Folded Tool Box on the Passenger Side

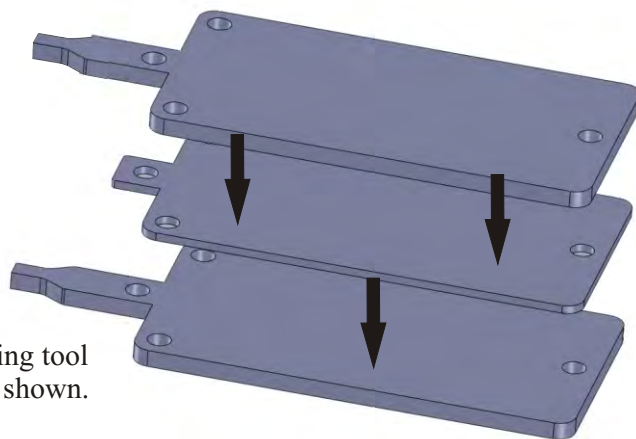


# Track Guide horn Bending tool

BRAM 060

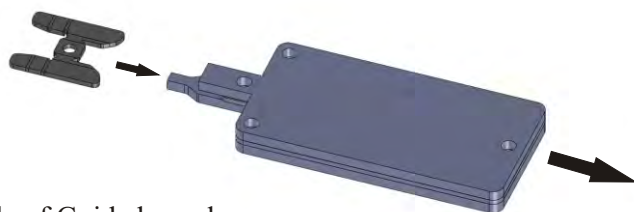


Fold Completely over and Hammer the folded nose area flat

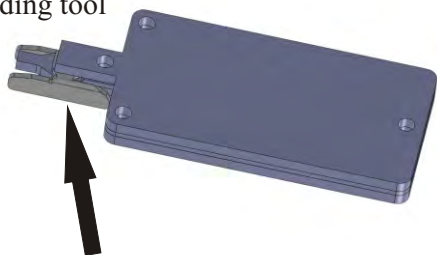


Use 4 long rivets to assemble the Guide Horn Bending tool pieces together as shown.

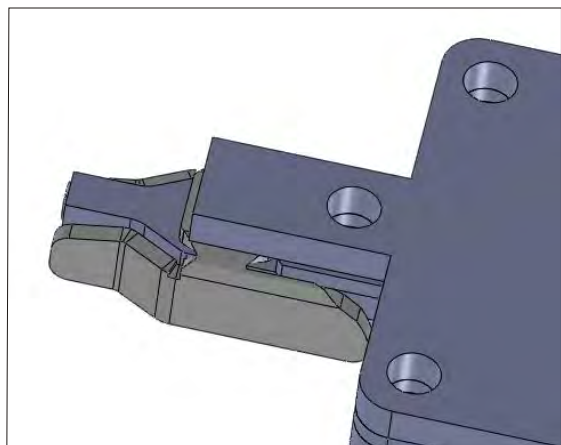
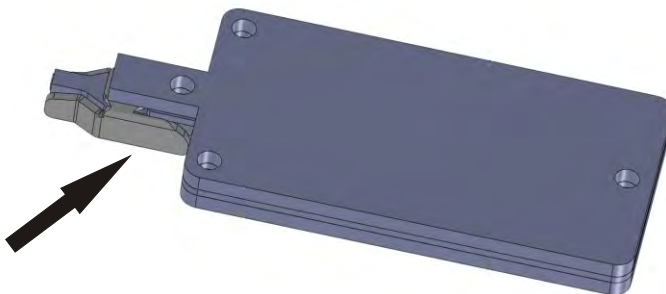
Insert Guide horn (short rounded end first) into Bending tool as shown



Bend each side of Guide horn down with pliers around the lower part of the Bending tool



Conform by squeezing with pliers the front prongs of the Guide horn to the front part of the lower part of the Bending tool



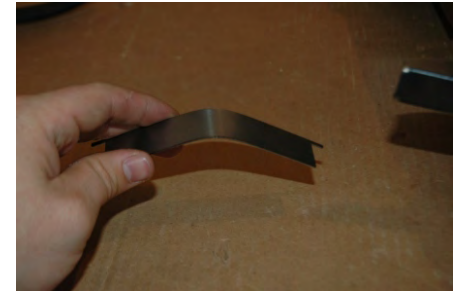
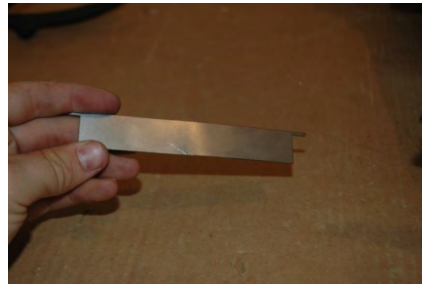
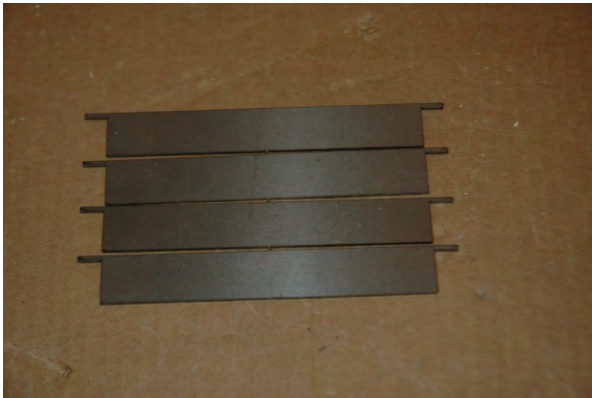
# Track and Guide Horn Assembly



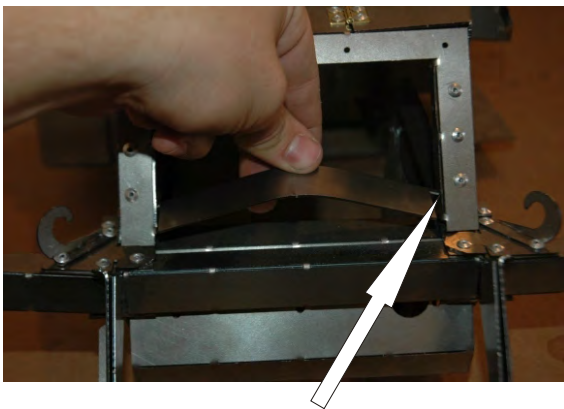
Fit track together and take note of which surfaces touch. Sand these surfaces and then Super glue (cynoacrelate) the track together.

# Front Armored Grill

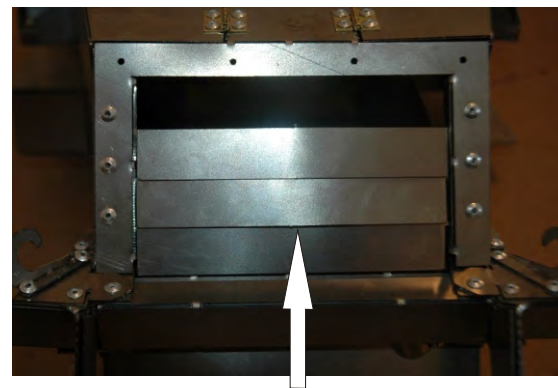
BRAM 038



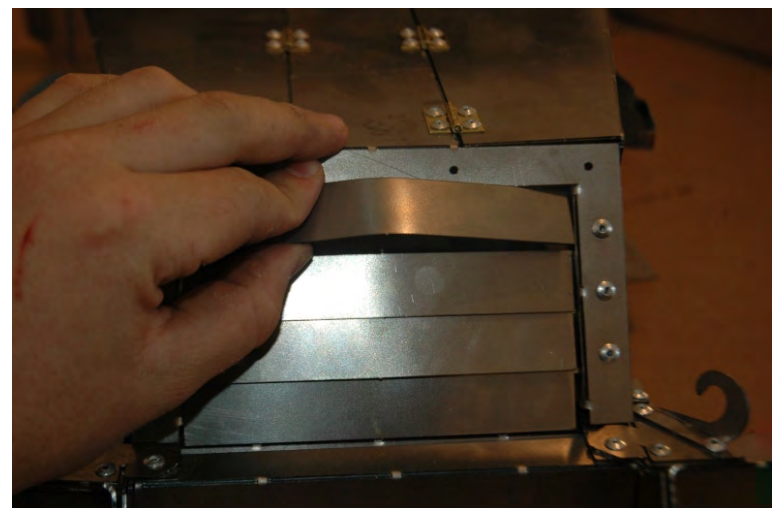
Bend front Armored Flap to fit into front Grill



Insert bent flap into Grill Housing. Make sure small tabs fit into holes inside Grill housing

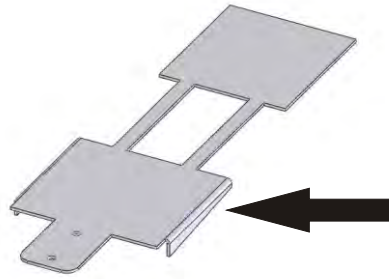


Straighten out Flap

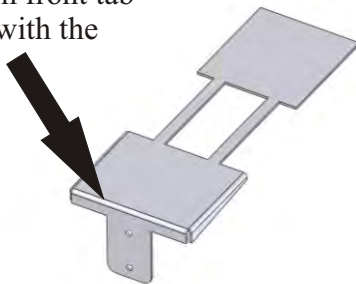




# Front Seat and Cushion



Then bend down front tab  
but not the tab with the  
holes in it.



# Shifter Levers

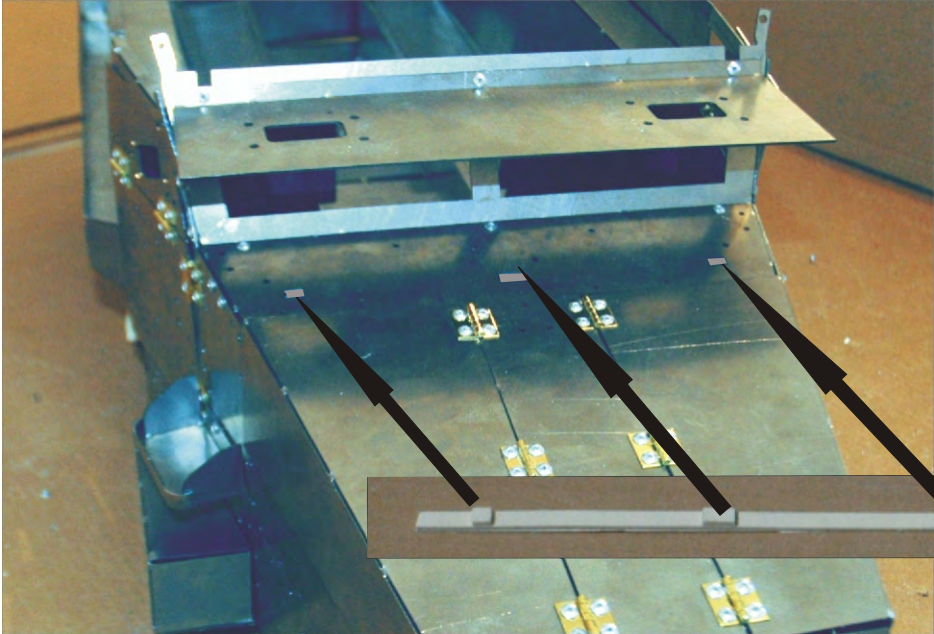


# Bullet Splash



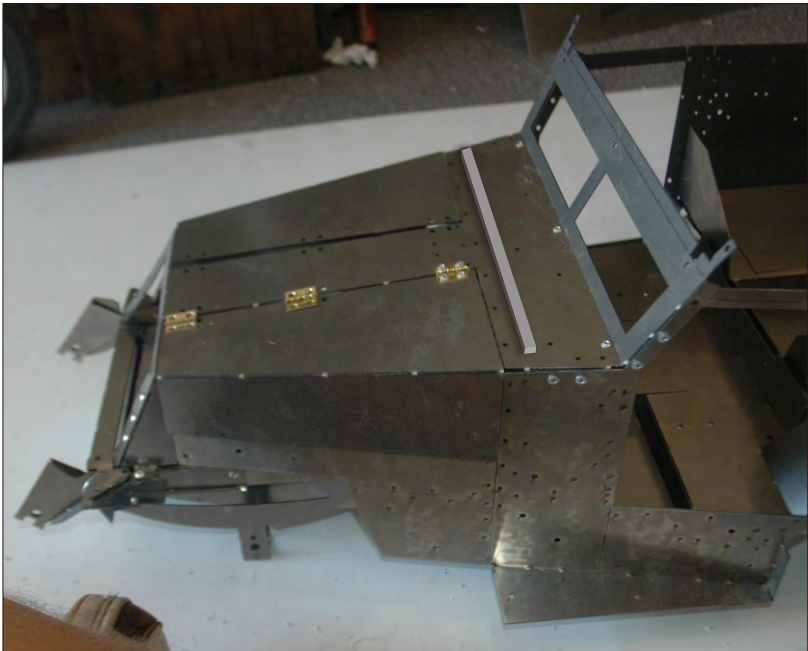
Bullet Splash

RM3-145



Align the Three tabs on the Bullet Splash and insert them into the three square holes in the top of the hood and glue in place

Bullet Splash in Place



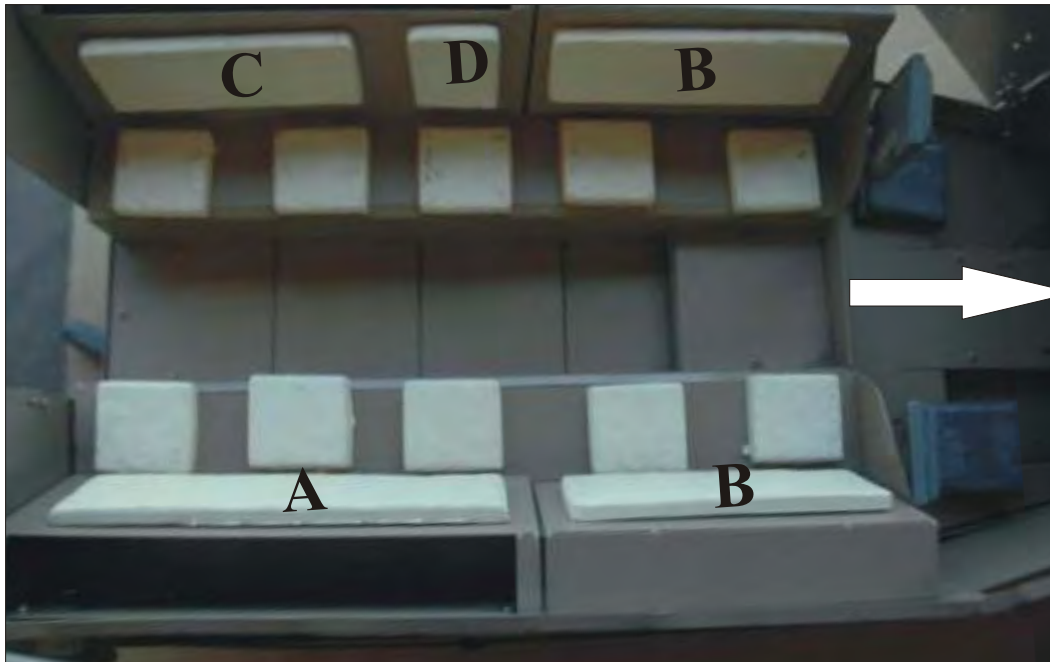
# Rear Seat Cushions

Attach Seat cushions with Epoxy or body filler (Bondo).

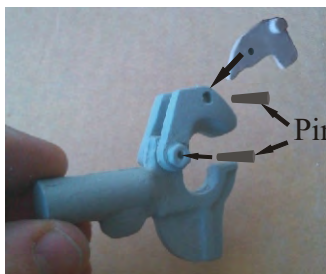


Seat cushion "D" is more rectangular

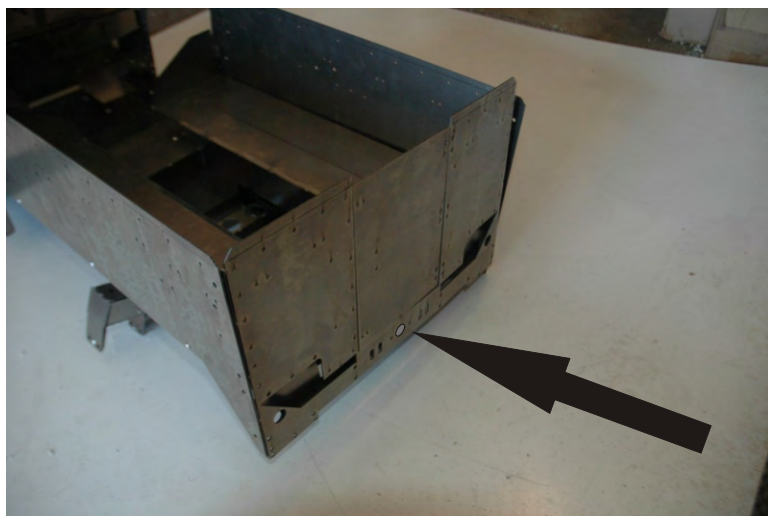
A hole in the Gas tank and Rifle rack parts allow the seat cushions, A,B,C to be secured with a screw into the back



# Towhook



Drill out the parts and insert pins as shown

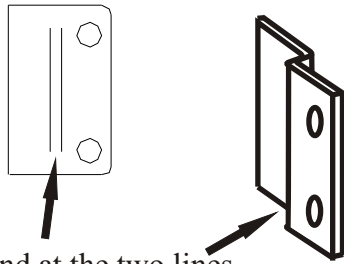


Insert Tow hitch in large hole on the back of the Halftrack

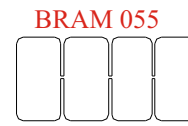


The tow hitch was positioned in either an upright posture or on its side as in each of the above photos. Both photos are from real WWII era M3 Halftracks

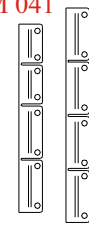
# Armored window Shields



Bend at the two lines to create the shape at right

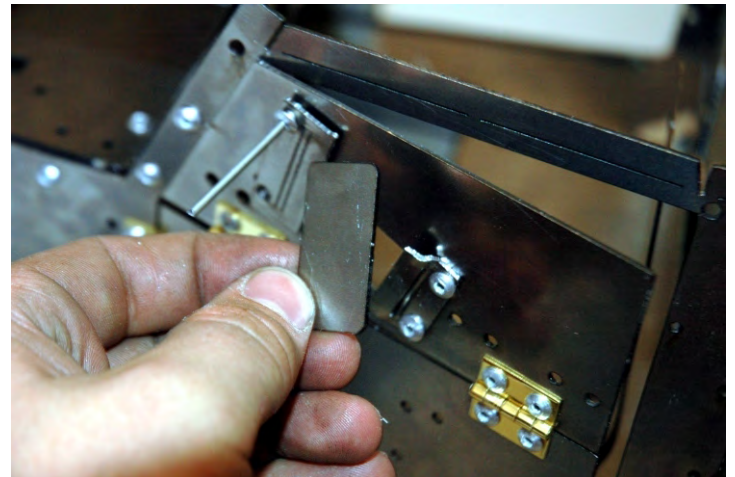
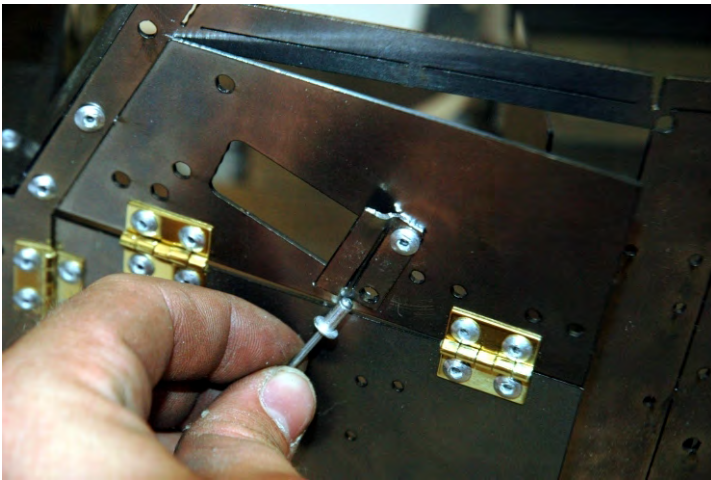


BRAM 055

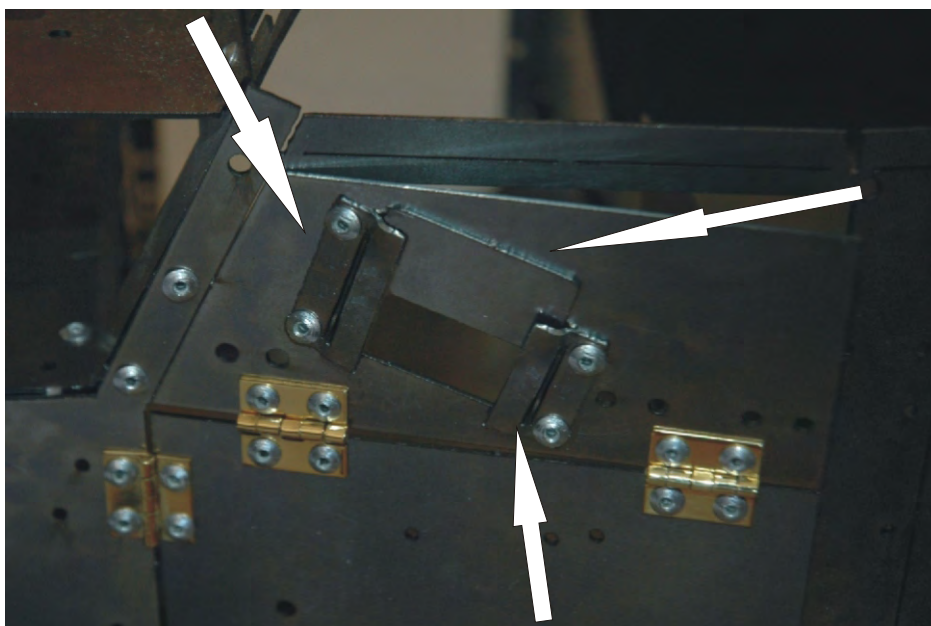


BRAM 041

BRAM 042



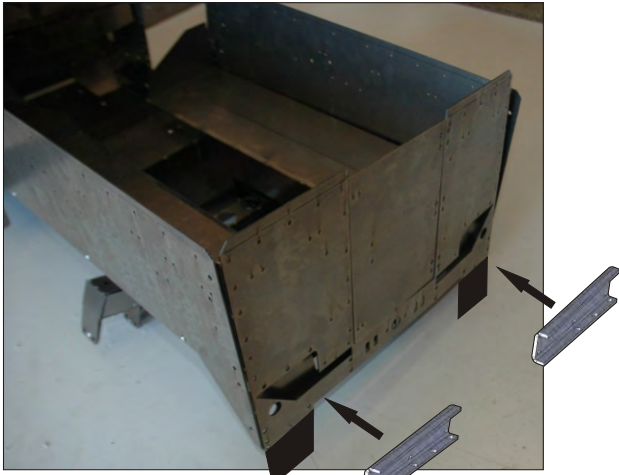
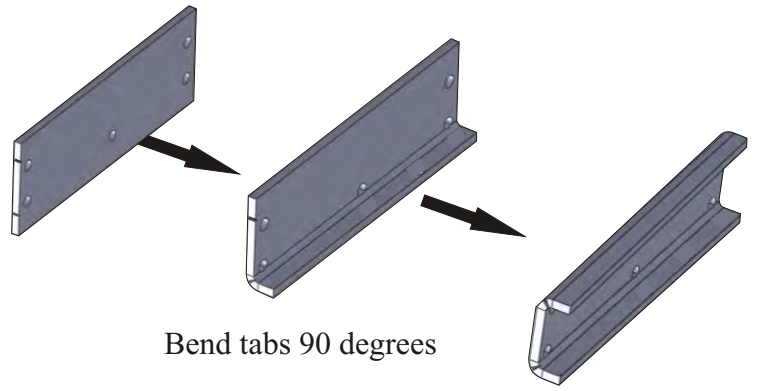
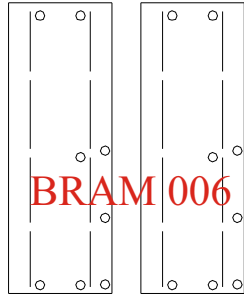
Attach the longer part BRAM 042 to the front of the door



Slide in part BRAM 055 in the space between BRAM 042 and BRAM041

Attach the shorter part BRAM 041 to the front of the door

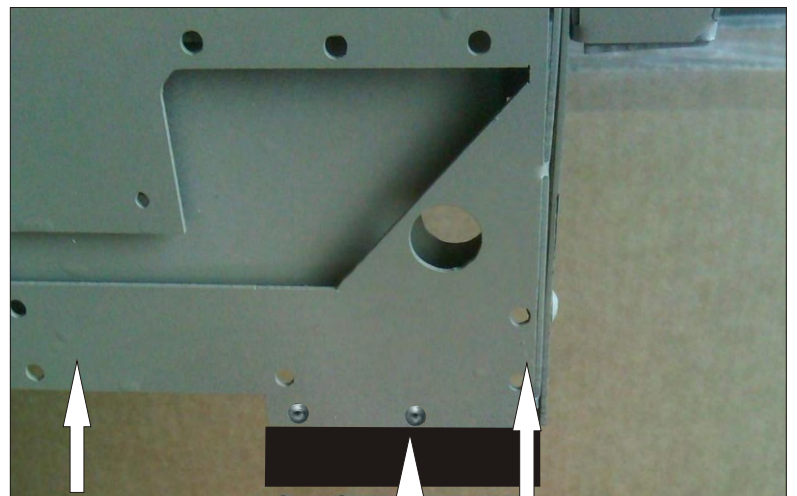
# Rear Bumper and Mudflap



Put mudflaps on behind the back panel. Hold them in place while you rivet the rear bumper on.



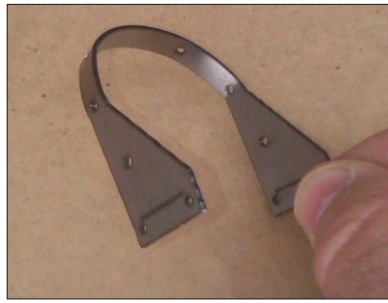
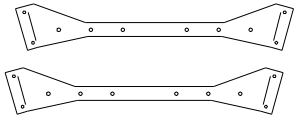
Rivet Mudflap to rear of vehicle



Place the rear mudflap up onto the body and then put the rear bumper on and rivet it all together.



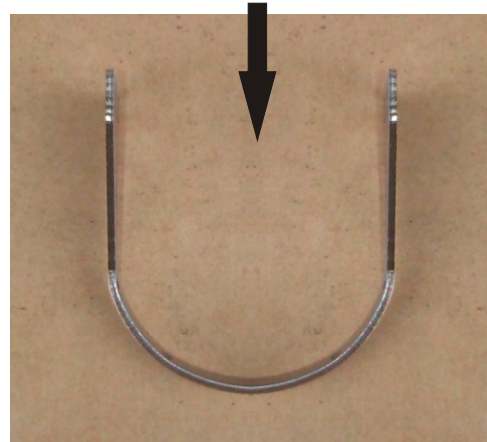
# Headlight and Bracket



Bend Headlight bracket into rounded shape. It be helpful to use a pipe or other similar 1-1/24 inch rounded shape.



The Photo below is to scale. Use as a size template for bending bracket



Paint and Detail headlight and then glue onto front fender just behind bracket



Bend tabs on the bottom of bracket outward and attach to front fender as shown at right





# Steering wheel



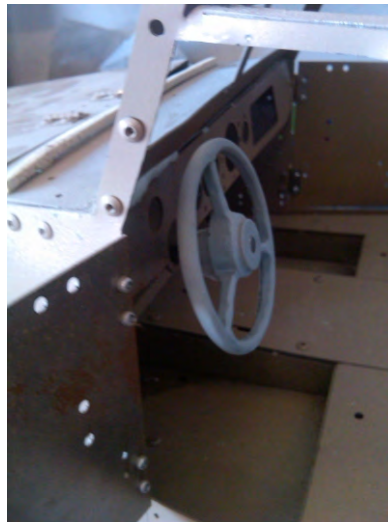
4 1/2 inch axle



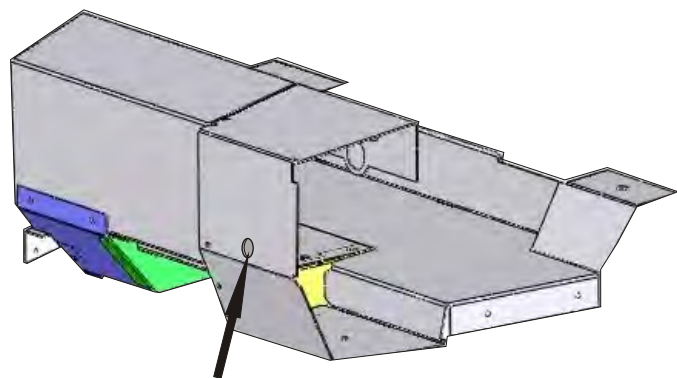
There should be a hole in the steering wheel for the steering shaft. Insert shaft into steering wheel and glue in place.



Place steering wheel shaft into oval hole and then through the hole in the back of the floorboard



Open up the right side hood and slide a Pushnut onto this end of the steering shaft



Hole for Steering Wheel rod

